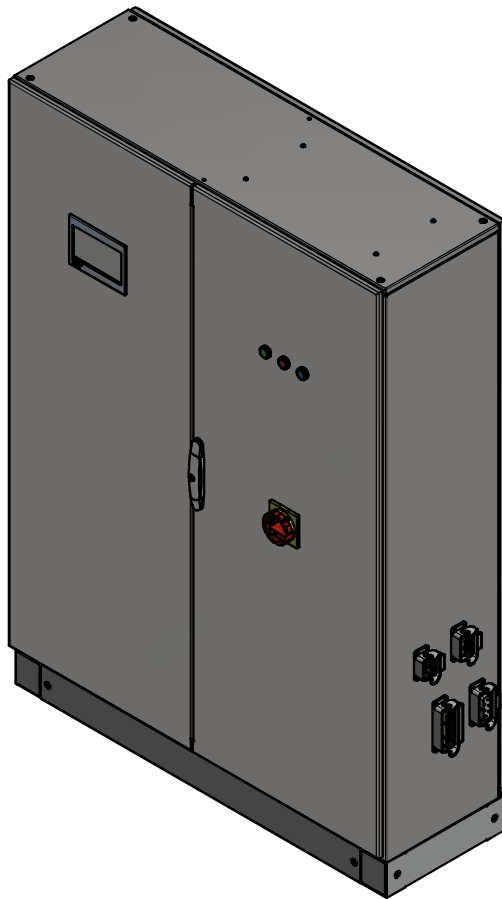


Dokumentation

Styrbox

Artikelnr.: E0135964



Inklusive kabelsats med artikelnummer E0004848

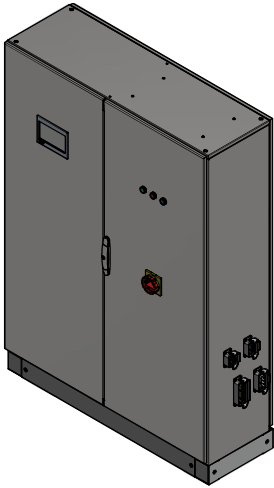
Goudsmits ordernr.: S2002692

Goudsmit
Magnetic Systems BV
Petunialaan 19
5582 HA Waalre
The Netherlands

P.O. Box 18
5580 AA Waalre

T +31 (0)40 22 13 28 3
E systems@goudsmit.eu
W goudsmitmagnets.com

VAT nr. NL009079907B01
ABN-AMRO Bank (Netherlands) IBAN: NL94 ABNA 0527 1443 98 Swift/Bic: ABNANL2A
Conditions of sale registered at the chamber of Commerce Eindhoven. Reg. nr. 17061487



Styrlådor

RECCBZ-CB-B-RHP-H-I

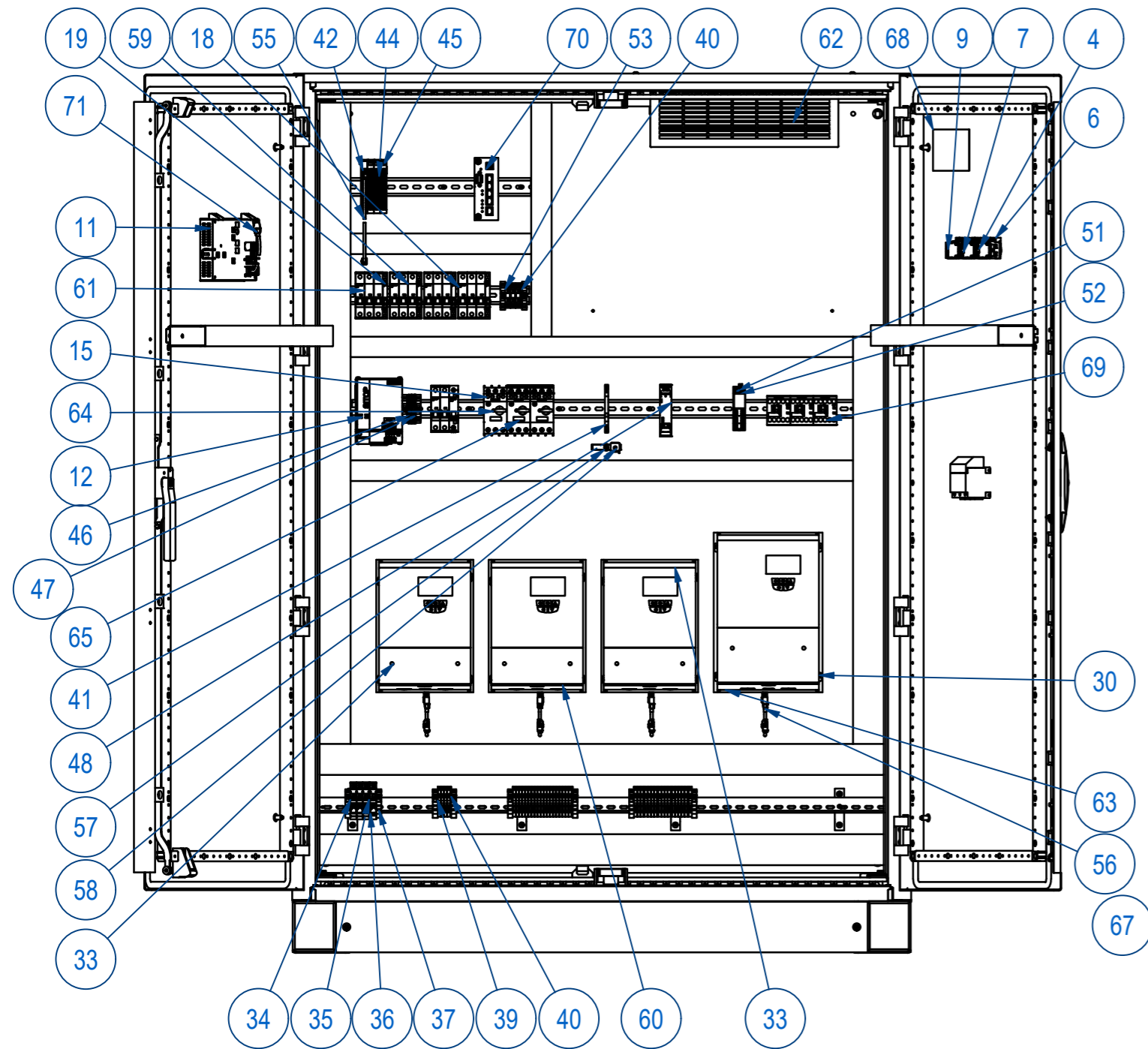
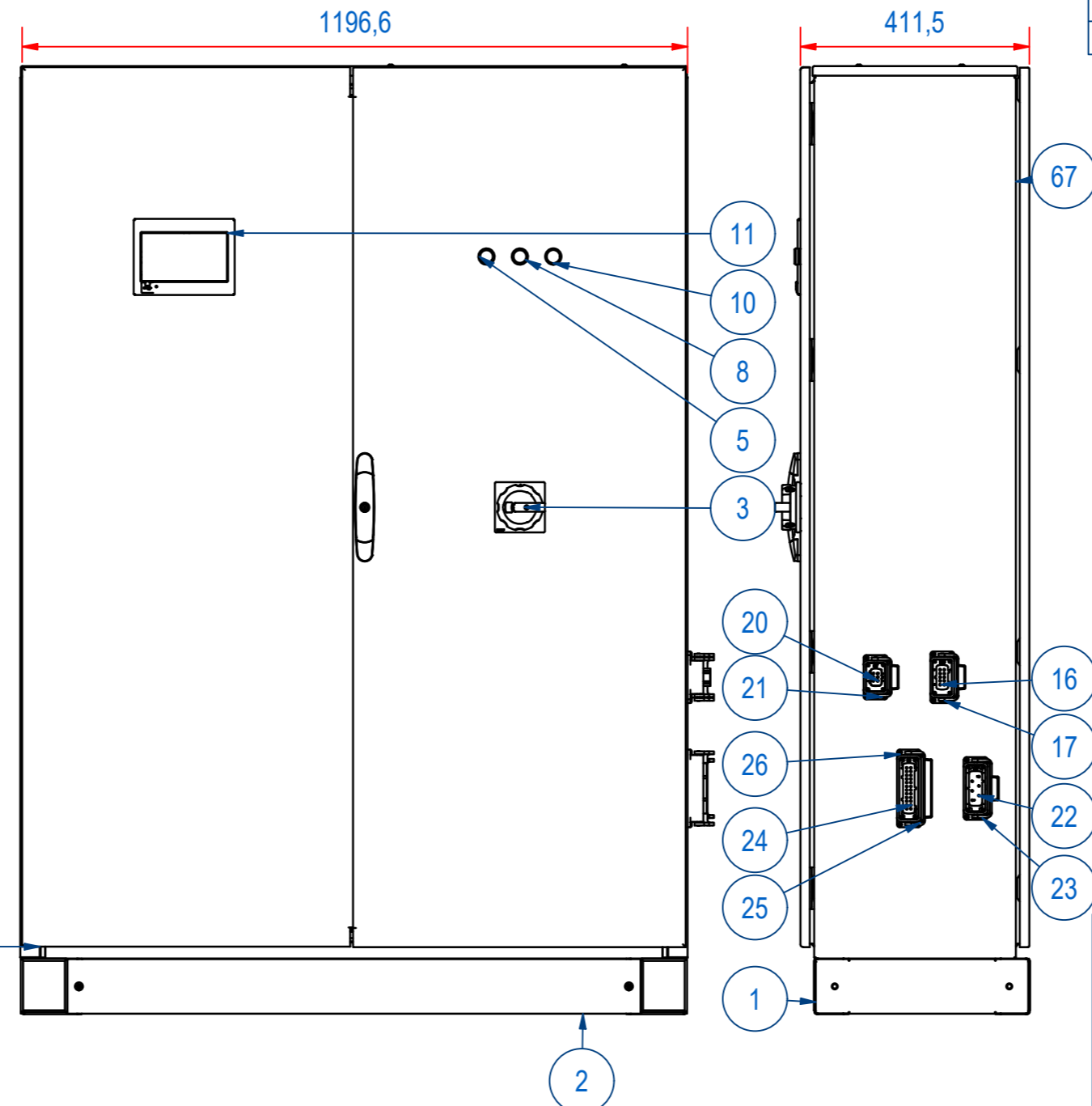
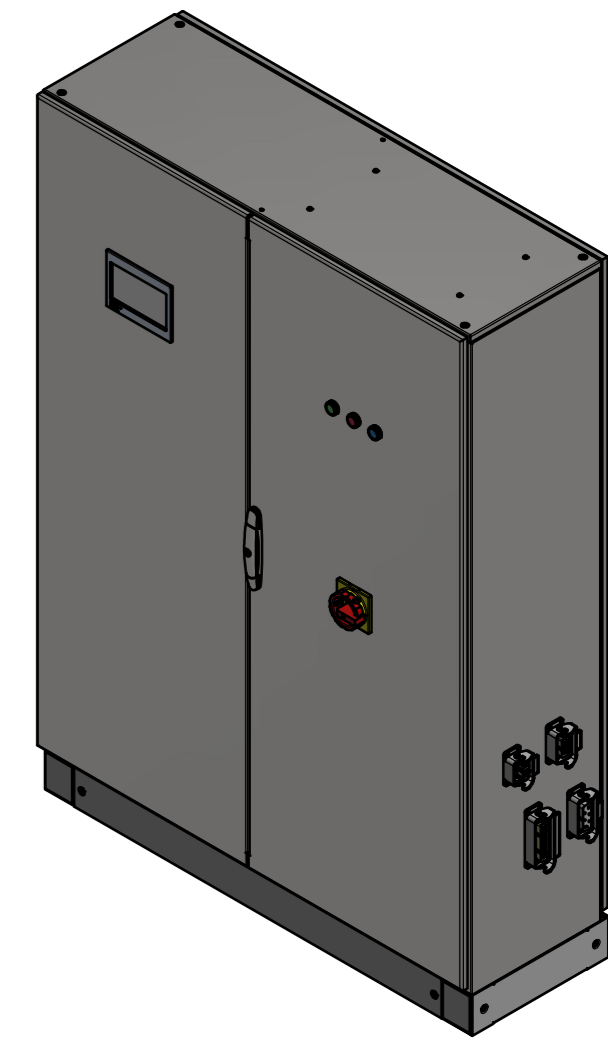
Artikelnummer: E0135964

Produktegenskaper

Beskrivning	Styrlådor och strömförsörjningar
Artikelnummer	E0135964
Produktnyckel	RECCBZ-CB-B-RHP-H-I
Typ	Golvmonterade
Lämpligt för	Virvelströmseparator och produktspridare
Inklusive	<ul style="list-style-type: none"> • Stickkontakt mellan styrlåda och kabelsats • I/O-kontakter för MCC • Potentialfria kontakter för PLC • Skydd för pekskärm
Material till hölje och lucka	Stål
Ytbehandling/finish	S6: Pulverlackering
Färg	Grå (ljusgrå): RAL7035
Min./max. omgivningstemp.	0 till 30 °C
Strömförsörjning	<ul style="list-style-type: none"> • 3x400 V_{AC} + PE; 50 Hz • Säkring maximalt 35 A
Sensorer/detektering	<ul style="list-style-type: none"> • Rotationsdetektering band • Termiska och PLC-styrda säkerhetsfunktioner
Utgång	<ul style="list-style-type: none"> • 0,55-1,1 kW; max. 2,6 A (till magnetisk trumseparator) • 2x1,2-1,7 kW; max. 3,3 A (till vibr. matare) • 2,2 kW; 4,7 A (till banddrift) • 11,0 kW; 20,4 A (till magnetrulle) • 3,1 kW; 6,12 A (till produktspridare)
Damm-/vattenskyddsklass	IP54
Styrning	<p>På höger lucka:</p> <ul style="list-style-type: none"> • Huvudbrytare (röd/gul); • Indikatorlampa "I drift" (grön); • Indikatorlampa "Larm" (röd); • Tryckknapp "Återställ nödstopp". <p>På vänster lucka:</p> <ul style="list-style-type: none"> • Goudsmit-styrenhet med display (avläsning av rotationshastighet på banddrivning och magnetvals)
Sensors / detection	<ul style="list-style-type: none"> • Rotationsdetektering band • Termiska och PLC-styrda säkerhetsfunktioner

Sensorer/detektering	<ul style="list-style-type: none">• EMC-direktivet 2014/30/EU• IEC 61439-1 och IEC 61439-2 (lågspänningsställverk och styrdon)• EN 60204-1 (maskiners elutrustning)
Konstruktion enligt standarder	412 mm
Djup	1197 mm
Bredd	1300 mm
Höjd	200 kg

DOC.NR.	REV	DATE	BY	DESCRIPTION
E0135964	B	3-12-2020	MV	EXTRA RELAYS FOR PRODUCT SPREADER ADDED
E0135964	C	24-2-2021	MV	REMOTE ENGINEER IOT MODULE ADDED
E0135964	D	5-3-2021	MV	CHANGES IN BOM



ITEM	QTY	PART NUMBER	DESCRIPTION	Dimensions
30	28	54.1205012	SCREW, HEX S BH LOW M5x12-A2	
29	16	60.0200004	NUT, HEX M4 - A2	M4
28	28	70.1200005	WASHER SPRING M5 - A2	M5
27	16	70.0200004	WASHER M 4 - A2	M 4
26	16	54.1204020	SCREW, HEX S BH LOW M4x20-A2	
25	1	EIEY000008	CONNECTOR 09.30.024.0307 HARTING	
24	1	EIEY000007	CONNECTOR 09.33.024.2701 HARTING	
23	1	EIEY000020	CONNECTOR 09.30.016.0307 HARTING	
22	1	EIEY000019	CONNECTOR 09.31.006.2701 HARTING	
21	1	EIEY000016	CONNECTOR 09.30.006.0301 HARTING	
20	1	EIEY000015	CONNECTOR 09.33.006.2701 HARTING	
19	4	EIHD332001	CIRCUIT BR. AUX. 5ST3010 SIEMENS	
18	2	EIHD043004	CIRCUIT BR. 5SY6310-7 SIEMENS	
17	1	EIEY000012	CONNECTOR 09.30.010.0305 HARTING	
16	1	EIEY000011	CONNECTOR 09.33.010.2701 HARTING	
15	3	E0025012	CIRCUIT BR. MOTOR AUX. 3RV2901-1E SIEMENS	
14	1	E0029959	CIRCUIT BR. 5SY6104-7 SIEMENS	
13	1	E0025015	CIRCUIT BR. 5SY6206-7 SIEMENS	
12	1	E0025014	POWER SUPPLY 6EP1333-3BA10 SIEMENS	
11	1	E0024480	GEN-SPARE-DISPLAY ETT731 SIGMATEK	
10	1	EICH000018	PUSHBUTTON 3SU1000-0AB50-0AA0 SIEMENS	
9	1	EICG032200	PUSHBUTTON 3SU1400-1AA10-1BA0 SIEMENS	
8	1	EIFC050007	INDICATOR 3SU1001-6AA20-0AA0 SIEMENS	
7	1	EIFD403001	INDICATOR 3SU1401-1BB20-1AA0 SIEMENS	
6	3	EICH000022	HOLDER 3SU1500-0AA10-0AA0 SIEMENS	
5	1	EIFC050005	INDICATOR 3SU1001-6AA40-0AA0 SIEMENS	
4	1	EIFD403002	INDICATOR 3SU1401-1BB40-1AA0 SIEMENS	
3	1	E0025004	SWITCH 3LD2504-0TK53 SIEMENS	
2	2	E0030630	PLINTH PF1120 ELDON	
1	2	E0030543	PLATE PSK1040 ELDON	

60	1	EIQC4K0002	DRIVE ODP-2-24400-3KF4A-MN INVERTEK	
59	1	EIHD043003	CIRCUIT BR. 5SY6316-7 SIEMENS	
58	1	EIJY210000	SHIELDING CLAMP SK 14 PHOENIX	
57	1	EIYH200000	CURRENT RAIL AB-SK/E PHOENIX	
56	4	EIA1378001	CABLE PATCH CAT5E 3M BLUE GRAYLE	
55	1	E0061995	CABLE RJ45 TO MINI I/O 3MTR SIGMATEK	
54	49	EIYL000002	SPREAD LATCH PA 6MM WIRE TRUNK	
53	3	EIOJ040002	TERMINAL UT10 PHOENIX	
52	1	EIDF632004	CONTROL RELAY MY2IN-24VDC OMRON	
51	1	EIDK600004	CONTROL RELAY PYF08S OMRON	
50	1	E0078679	TEXT PLATE SEE PAGE 990 FOR DETAILS	
49	1	EILB412000	RESISTOR 120 Ohm RS	
48	1	E0029943	SAFETY RELAY 3SK1111-1AB30 SIEMENS	
47	1	E0085115	TERMINAL D-UKK 3-5 PHOENIX	
46	2	EIOJ010003	TERMINAL UKK5 PHOENIX	
45	1	E0016876	PLC AM 442 SIGMATEK	
44	2	E0027373	PLC DM 161 SIGMATEK	
43	12	58.0600005	POP RIVET ALU Ø4x8	
42	1	E0027409	PLC CP 102 SIGMATEK	
41	1	E0029983	TRANSDUCER MINI MCR-SL-PT100-UI-200-NC PHOENIX	
40	7	EI0M040000	TERMINAL D-UT 2-5-10 PHOENIX	
39	36	EIOJ020002	TERMINAL UT4 PHOENIX	
38	4	54.1204006	SCREW, HEX S BH LOW M4x6-A2	
37	12	EI0M100002	TERMINAL CLIPFIX 35 PHOENIX	
36	1	EIOJ350002	TERMINAL UT16-PE PHOENIX	
35	1	EI0M050005	TERMINAL D-UT 16 PHOENIX	
34	3	EIOJ050005	TERMINAL UT16 PHOENIX	
33	2	EIQC2K2012	DRIVE ODP-2-24220-3KF4A-MN INVERTEK	
32	4	60.0200005	NUT, HEX M5 - A2	M5
31	12	70.0200005	WASHER M 5 - A2	M 5

ITEM	QTY	PART NUMBER	DESCRIPTION	Dimensions
71	1	EIA1378000	CABLE PATCH CAT5E 3M GREEN GRAYLE	
70	1	EISE303000	GEN-SERVICEGATE V2 LTE REMOTE ENGINEER	
69	3	E0029950	CONTACTOR 3RT2016-1BB41 SIEMENS	
68	1	E0120862	TEXT PLATE CONTR BOX REC1500 Ø700 INCL HRS	
67	1	E0136032	ENCLOSURE MKD16124R5 ELDON WORKED	
66	4	EIOJ320000	TERMINAL UT4-PE PHOENIX	
65	2	EIHC013006	CIRCUIT BR. MOTOR 3RV2011-0EA10 SIEMENS	
64	1	E0029956	CIRCUIT BR. MOTOR 3RV2011-1GA10 SIEMENS	
63	1	EIQC11K008	DRIVE ODP-2-34110-3KF4A-MN INVERTEK	
62	1	E0029985	RESISTOR HPR3-42R-3KW BATENBURG	
61	1	EIHD063000	CIRCUIT BR. 5SY6340-7 SIEMENS	

RAW MAT.	Quantity	Material Number	Material Description	Length (mm)	Width (mm)
	1				
Drawn:	MV	Sheet: A2	Extra info: 4 FREQ. CONVERTERS	General tolerance: ISO 2768 - mK	
Date:	22-9-2020	Weight (kg): 200		Drawn according: ISO268; ISO1101; ISO2553	
Spare part:	False	Source:		Status: Released	
Quick search:	CONTROLBOX			Customer reference number:	
Description:	RECCBZ-CB-B-RHP-H-I			Document number: E0135964	Doc.Rev: D
				Part number: E0135964	Rev: D



Customer name: -
Customer number: -
Country: The Netherlands
Language: English

Project Name: -
Project Number: -
Product: RECCB-CB-B-ZZZ-H-N
Item number: E0135964

Designer: MV	Supply Voltage: 400VAC
Design date: 22-09-2020	Nominal Power: 34,6kW
Revision number: D	Max. supply Current: 50A
Status: Released	Control Voltage: 24VDC

Total pages: 030

Prev. sheet:

Next Sheet: 002

Designer: MV
Design date: 22-09-2020
Rev. nr.: D
Status: Released

Project name : -
Project number : -
Customer: -
Customer number: -



Product: RECCB-CB-B-ZZZ-H-N
Item number: E0135964
Doc. number: E0135964_Page-001.dwg

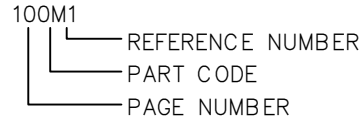
Drawing descr.: Front page

Sheet: 001
Inst.:
Loc.:

General specifications

PAGE NUMBERING	
1	Front page
2	Project specifications
10	Drawing list
100	Main circuit
150	Power supplies
200	Control circuit
300	-
400	PLC overview
500	PLC I/O
600	-
700	-
800	Spare connections
900	Bill of material
910	Components list
950	Terminal plan

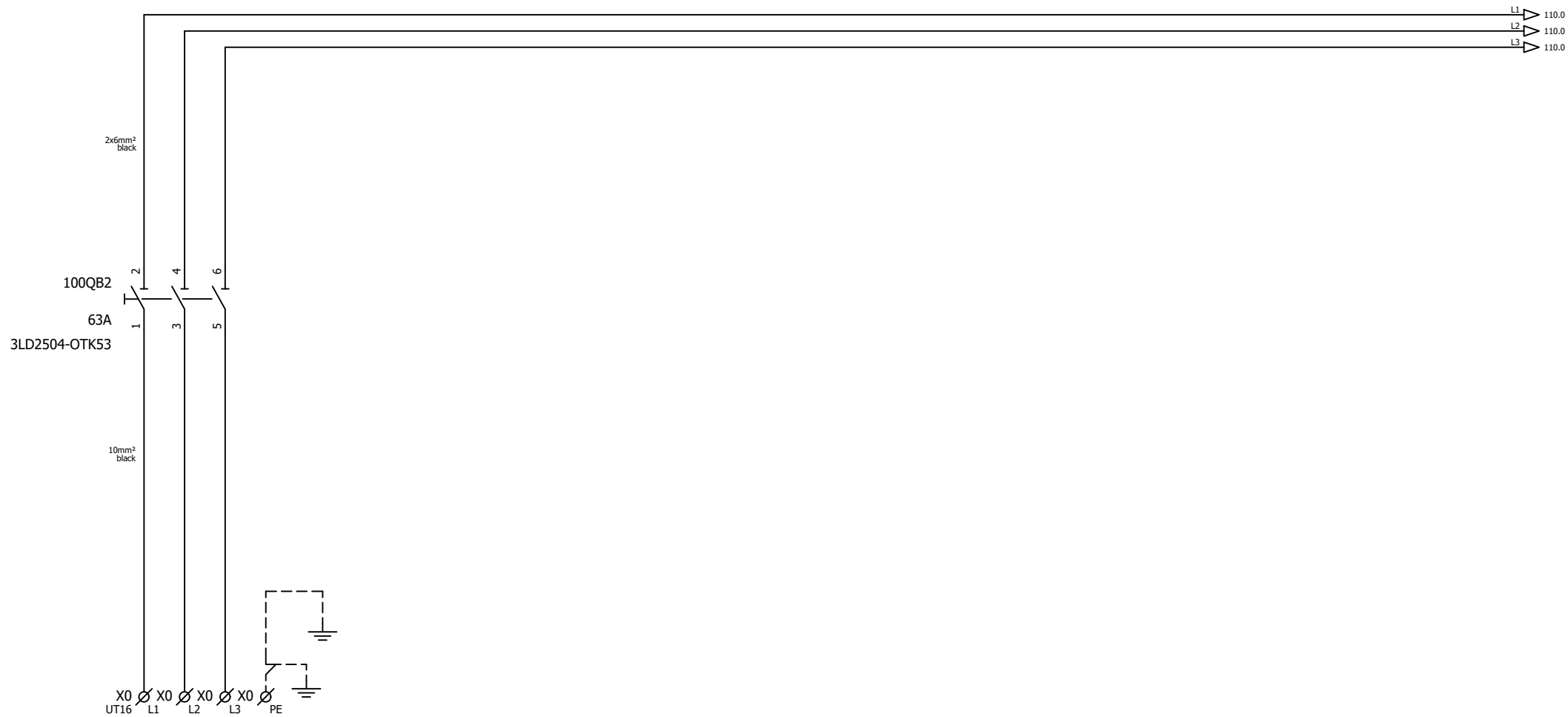
TERMINAL NUMBERING	
X0	Main supply
X1	Main power
X2	Control voltage 230VAC
X3	Control voltage 24Vac
X4	Control voltage 24Vdc
X5	Analog signals
X6	External supply
X7	EEx i
X8	?
X9	?



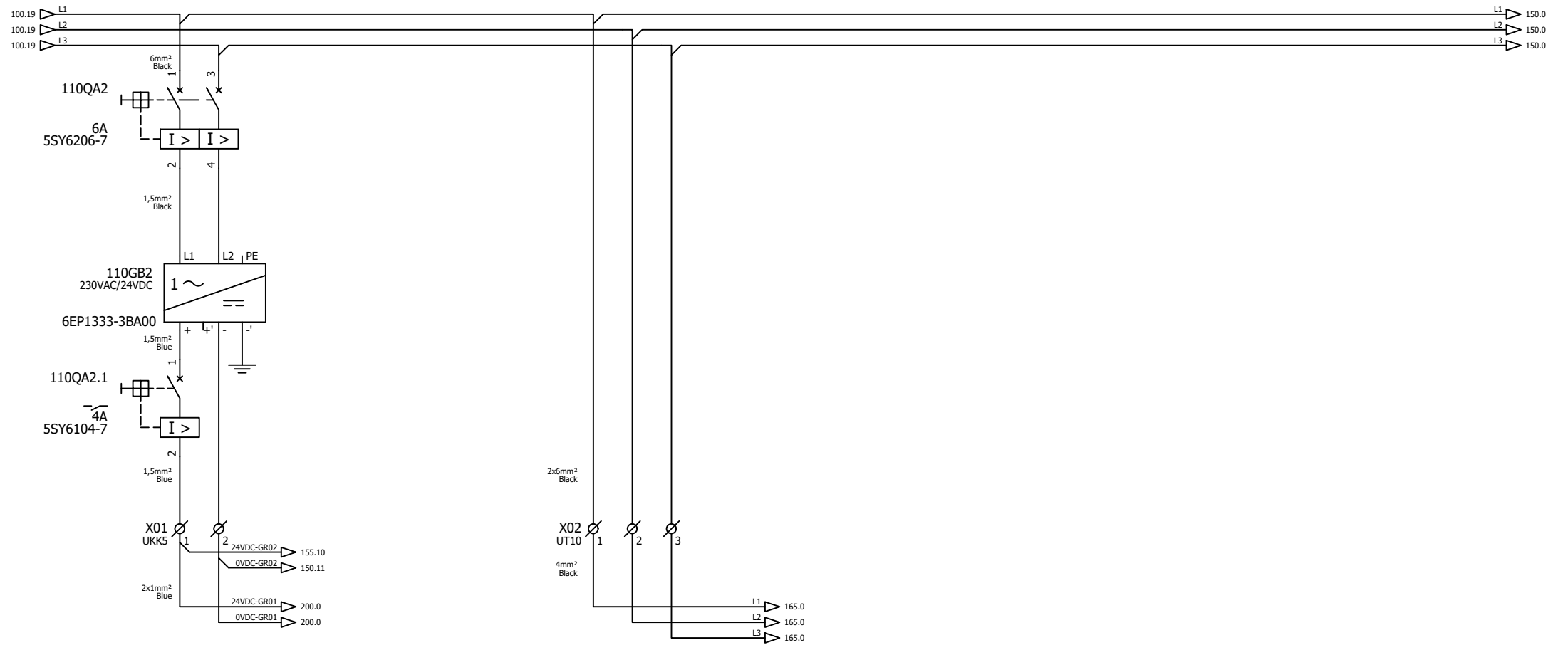
COLOR CODE INTERNAL WIRING		
Main current 400/230V	Phase	Black
	Neutral	Lightblue
	Earth	Yellow/Green
Control voltage 230Vac	Phase	Red
	Switch wire	Red
	Neutral	Red
Control voltage 24Vac	Phase (L)	Grey
	Switch wire	Grey
	Neutral (N)	Grey
Control voltage 24Vdc	Phase (+)	Darkblue
	Switch wire	Darkblue
	Neutral (-)	Darkblue
Control voltage 12Vdc	Phase (+)	White
	Switch wire	White
	Neutral (-)	White
Measurement		Purple
External supply (Potential free contacts)		Orange
EEx i		Blue

Drawing list

Installation	Location	Page	Description 1	Description 2	Description 3
		001	Front page		
		002	Project specification		
		010	Drawing list		
		100	Main Switch		
		110	Power supplies		
		150	Main circuit		
		155	Main circuit		
		160	Main circuit		
		165	Main circuit		
		170	Main circuit		
		200	Control circuit 24Vac		
		220	Control circuit 24Vdc		
		230	Control circuit 24Vdc		
		240	Control circuit Temperature		
		400	PLC overview		
		500	PLC I/O Sigmatek CP102 1-1	CPU	
		501	PLC I/O Sigmatek DM161 1-2	Digital inputs	
		502	PLC I/O Sigmatek DM161 2-2	Digital outputs	
		503	PLC I/O Sigmatek DM161 1-2	Digital inputs	
		504	PLC I/O Sigmatek DM161 2-2	Digital outputs	
		505	PLC I/O Sigmatek AM442 1-2	Analog inputs	
		506	PLC I/O Sigmatek AM442 2-2	Analog outputs	
		507	PLC I/O Remote Engineer	Ethernet Connections	
		800	Spare connections		
		900	Bill of material		
		901	Bill of material		
		910	Components list		
		911	Components list		
		950	Terminal plan		
		990	Text plate		



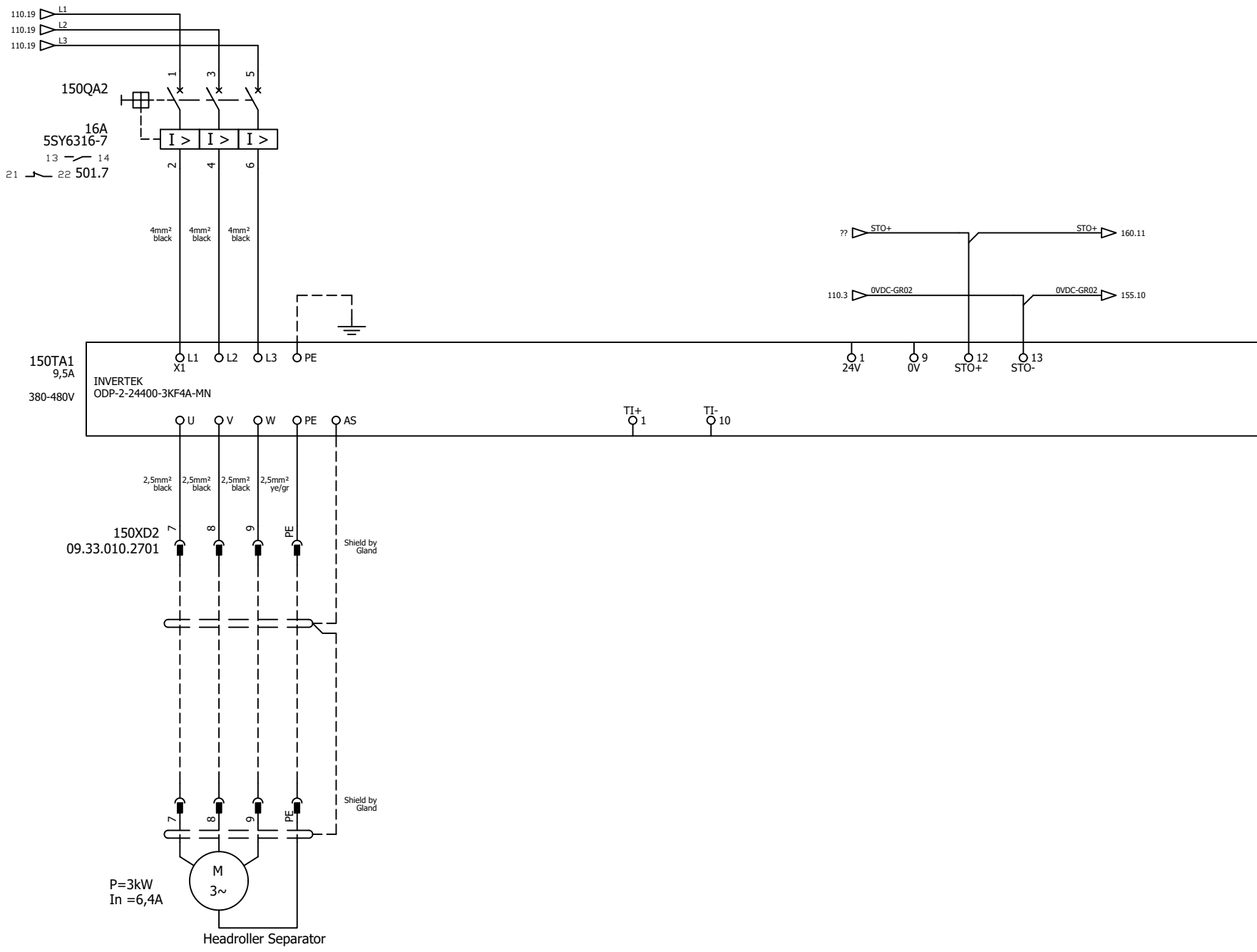
Main Power
 3x400Vac +PE / 50Hz
 Fuse max. 50A



Control Circuit
Power supply 24VDC

Main Circuit
Power supply 400VAC





Prev. sheet: 110

Next Sheet: 155

Designer: MV
 Design date: 22-09-2020
 Rev. nr.: D
 Status: Released

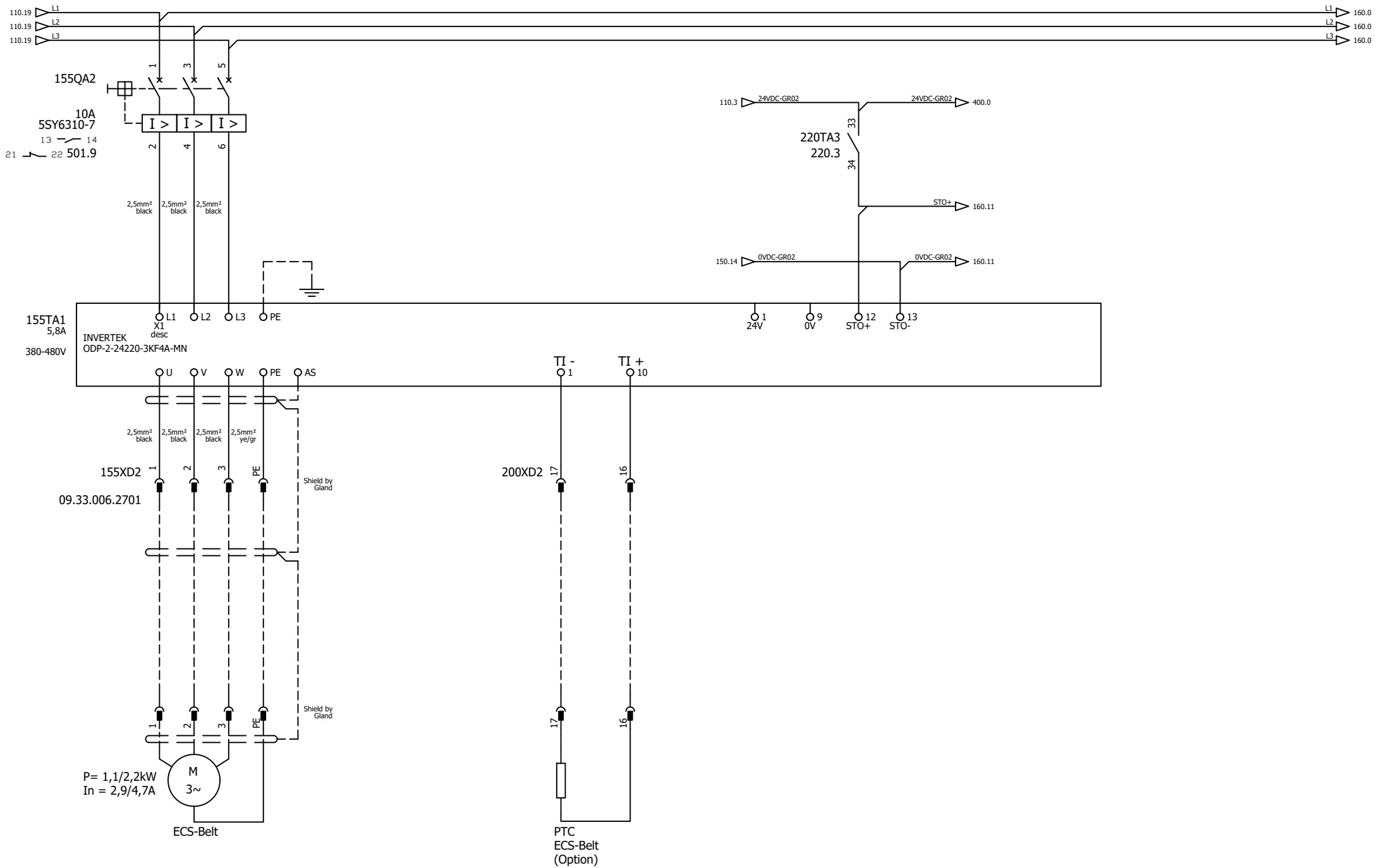
Project name : -
 Project number : -
 Customer: -
 Customer number: -



Product: RECCB-CB-B-ZZZ-H-N
 Item number: E0135964
 Doc. number: E0135964_Page-150.dwg

Drawing descr.: Main circuit

Sheet: 150
 Inst.:
 Loc.:



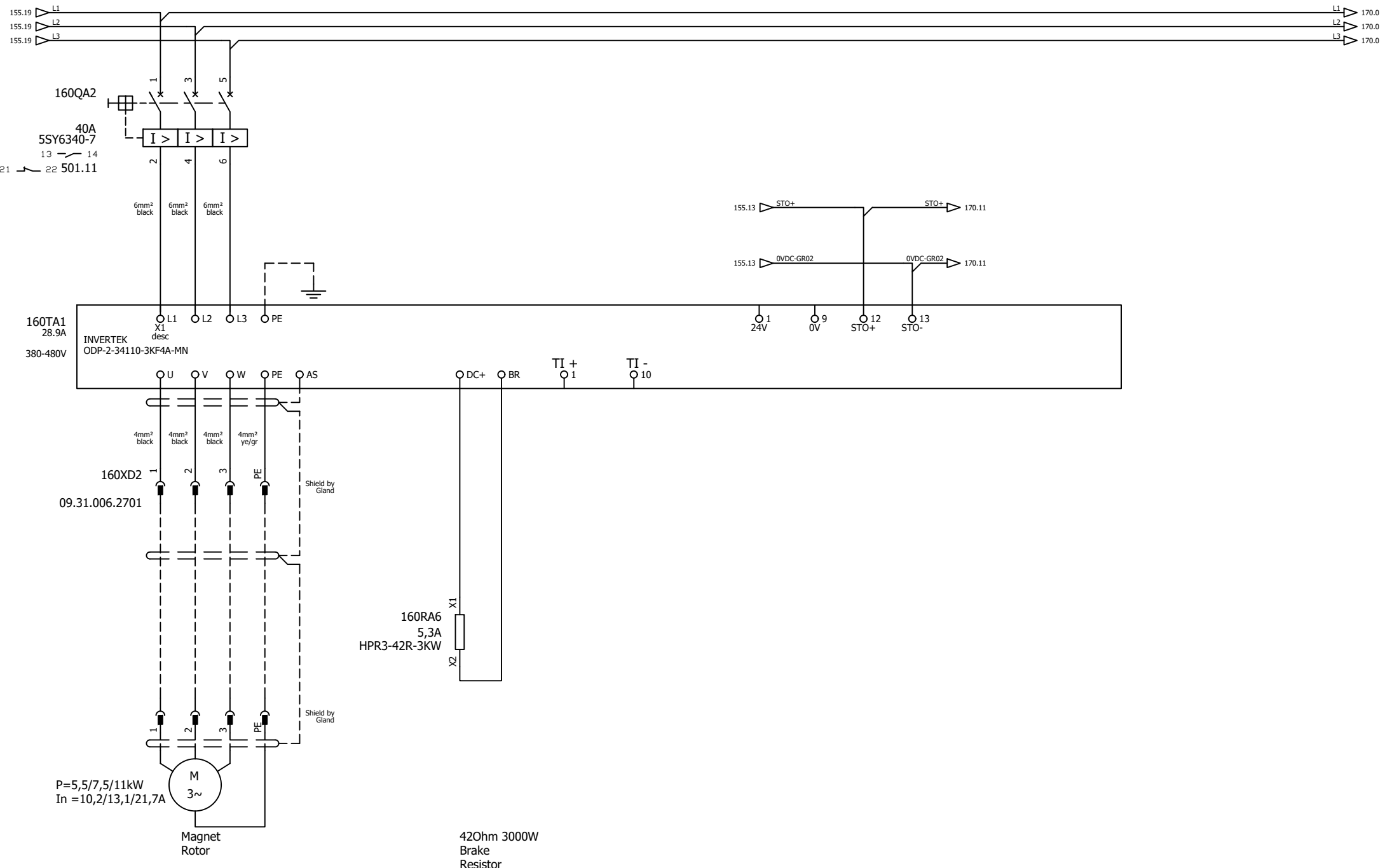
Designer: MV	Project name: -
Design date: 22-09-2020	Project number: -
Rev. nr.: D	Customer: -
Status: Released	Customer number: -

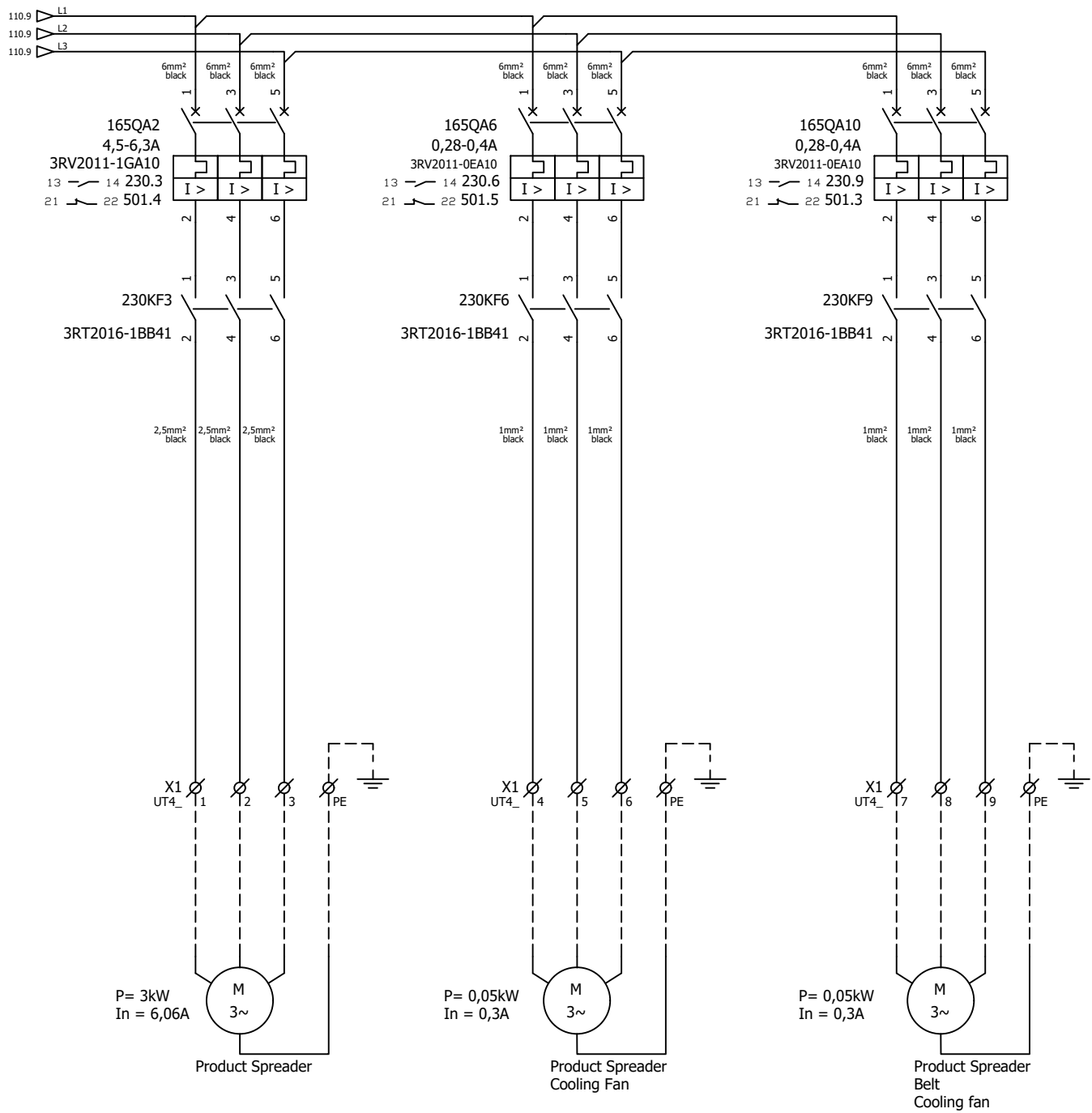


Product: RECCB-CB-B-ZZZ-H-N
Item number: E0135964
Doc. number: E0135964_Page-155.dwg

Drawing descr.: Main circuit

Sheet: 155
Inst.:
Loc.:





Prev. sheet: 160

Next Sheet: 170

Designer: MV
 Design date: 22-09-2020
 Rev. nr.: D
 Status: Released

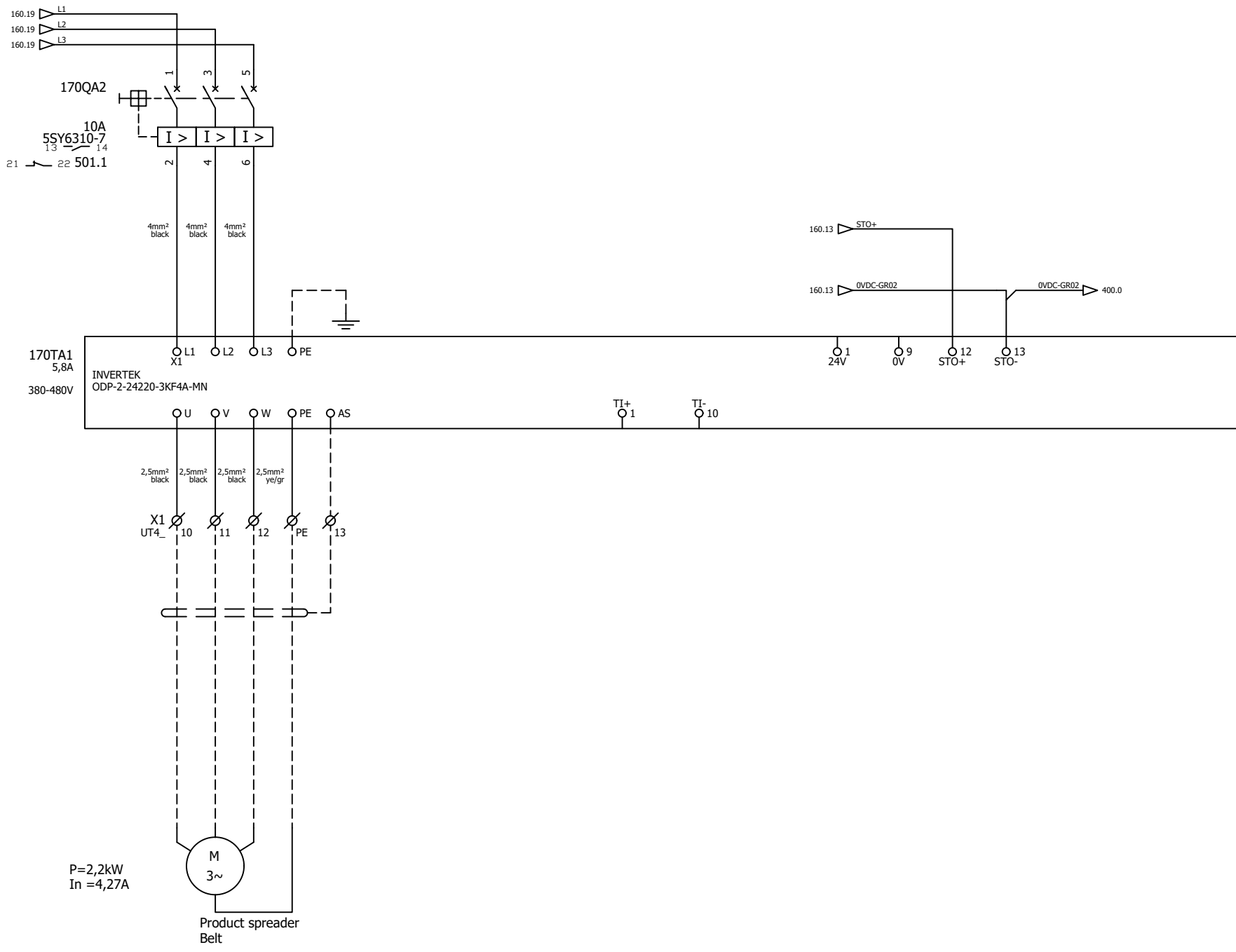
Project name : -
 Project number : -
 Customer: -
 Customer number: -



Product: RECCB-CB-B-ZZZ-H-N
 Item number: E0135964
 Doc. number: E0135964_Page-165.dwg

Drawing descr.: Main circuit

Sheet: 165
 Inst.:
 Loc.:



Prev. sheet: 165

Next Sheet: 200

Designer: MV
Design date: 22-09-2020
Rev. nr.: D
Status: Released

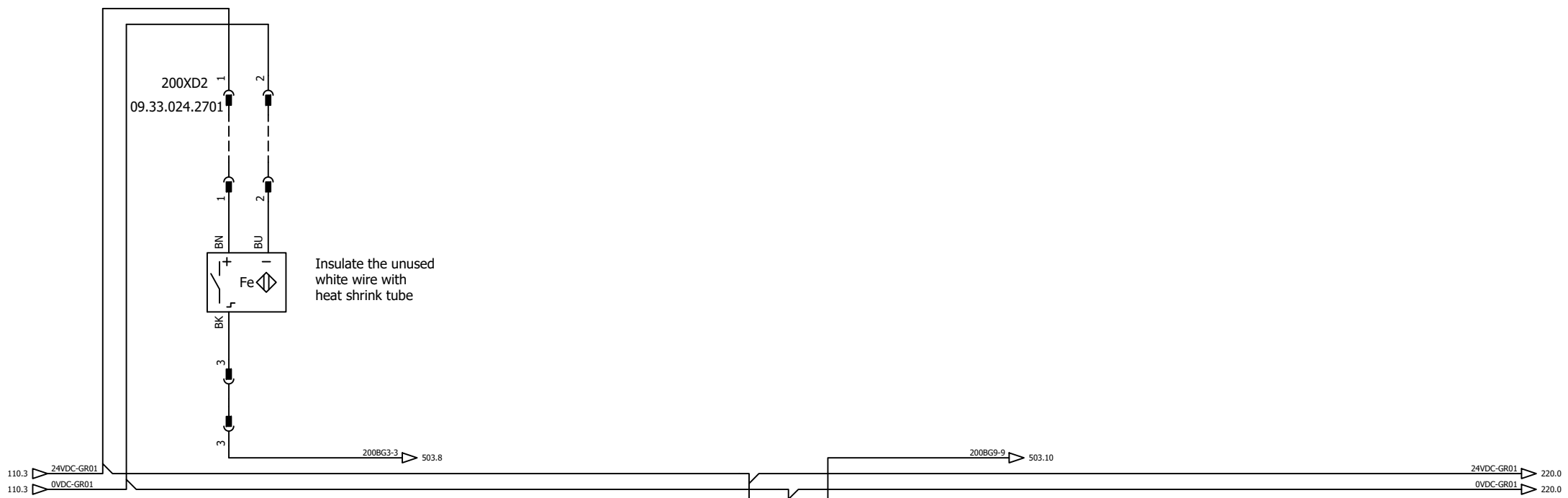
Project name : -
Project number : -
Customer: -
Customer number: -



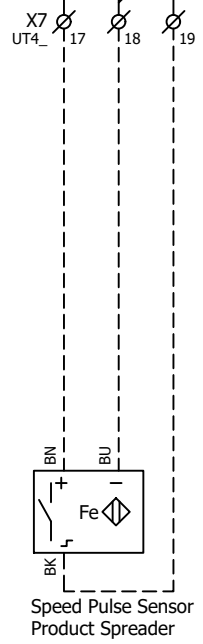
Product: RECCB-CB-B-ZZZ-H-N
Item number: E0135964
Doc. number: E0135964_Page-170.dwg

Drawing descr.: Main circuit

Sheet: 170
Inst.:
Loc.:



Speed
Pulse Sensor
ECS-Belt



Speed Pulse Sensor
Product Spreader

Prev. sheet: 170

Next Sheet: 220

Designer: MV
Design date: 22-09-2020
Rev. nr.: D
Status: Released

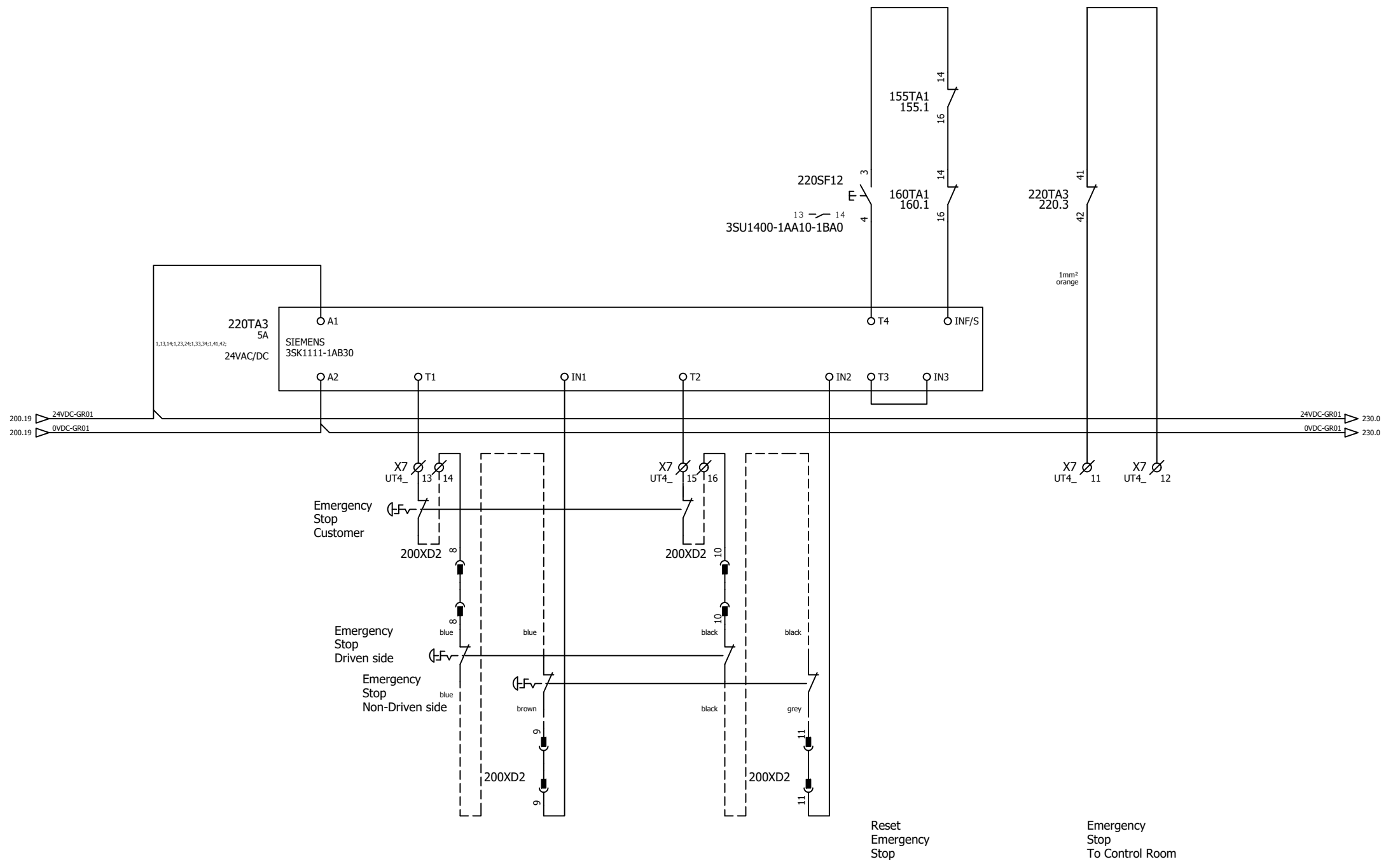
Project name : -
Project number : -
Customer: -
Customer number: -



Product: RECCB-CB-B-ZZZ-H-N
Item number: E0135964
Doc. number: E0135964_Page-200.dwg

Drawing descr.: Control circuit 24Vac

Sheet: 200
Inst.:
Loc.:



Prev. sheet: 200 Next Sheet: 230

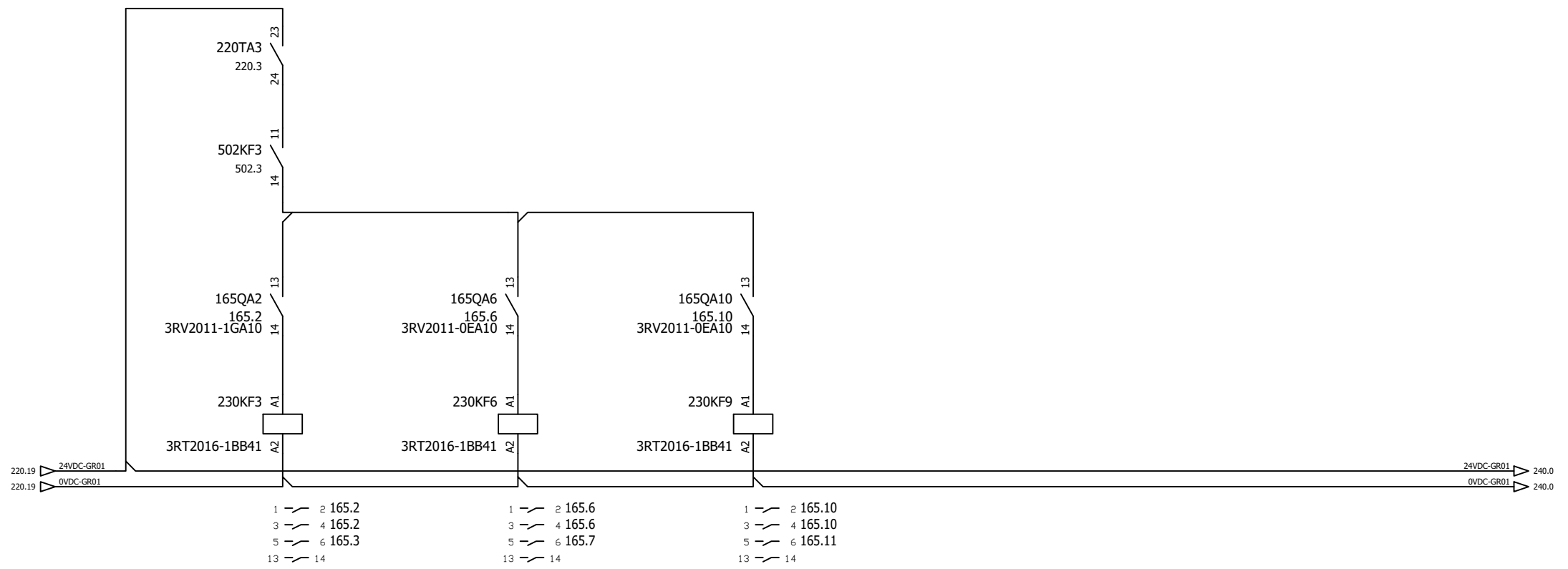
Designer: MV
 Design date: 22-09-2020
 Rev. nr.: D
 Status: Released



Product: RECCB-CB-B-ZZZ-H-N
 Item number: E0135964
 Doc. number: E0135964_Page-220.dwg

Drawing descr.: Control circuit 24Vdc

Sheet: 220
 Inst.:
 Loc.:



Product Spreader
On

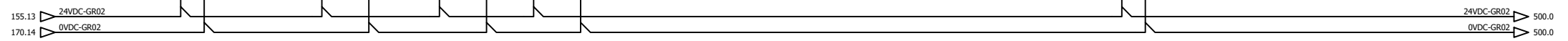
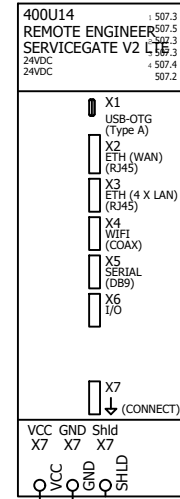
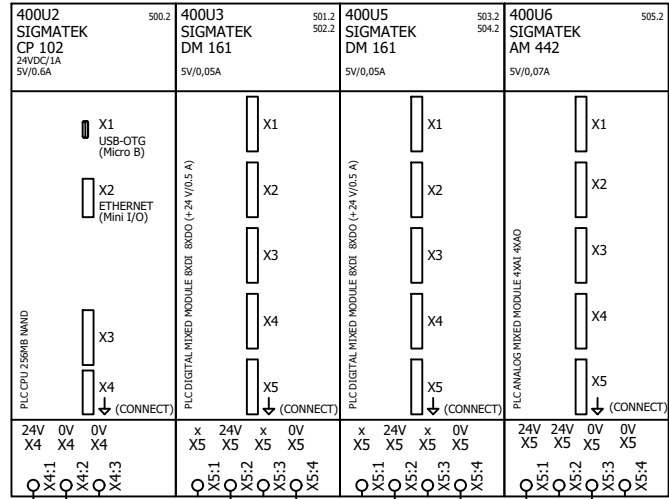
Product Spreader
Cooling fan On

Product Spreader Belt
Cooling fan On

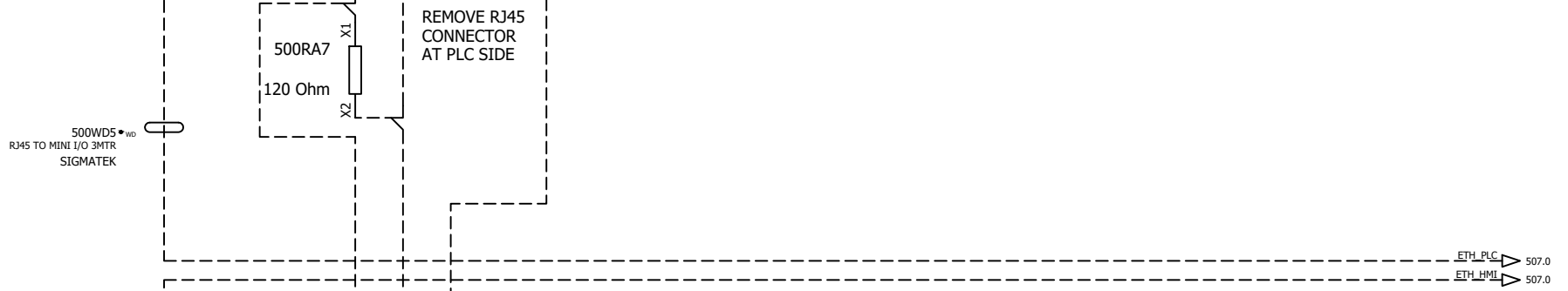
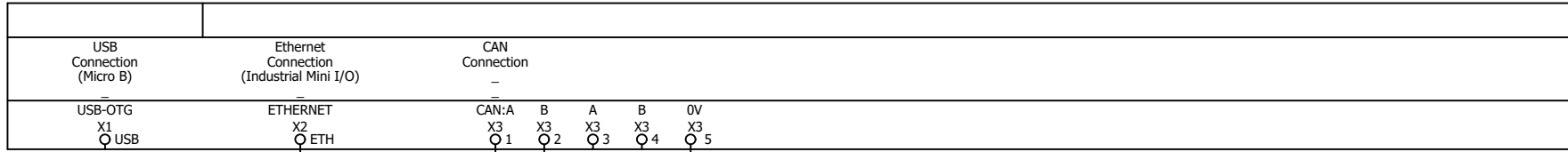


S1 12345678
11010111
S2 12345678
00010100
S3 12
10

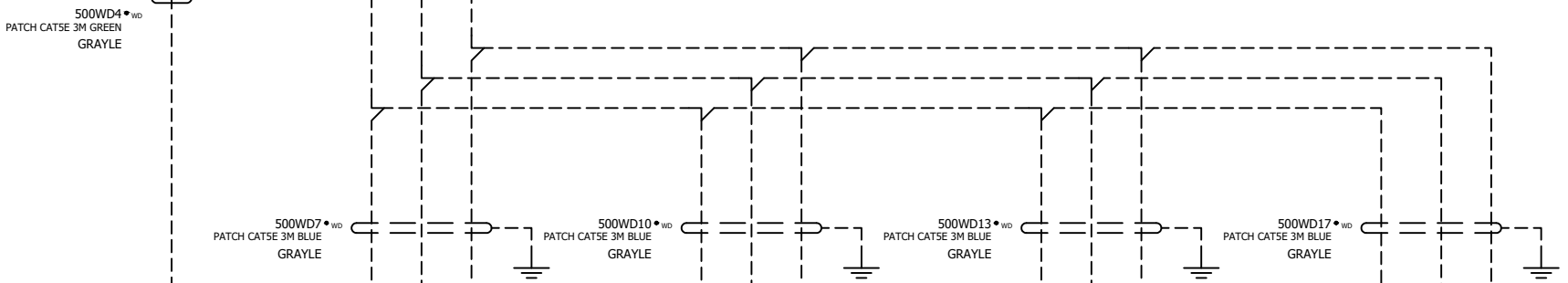




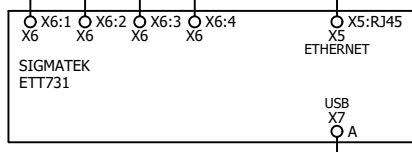
400U2
400.2
CP102



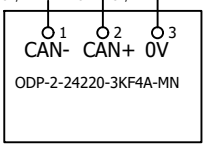
400.19 24VDC-GR02
400.19 0VDC-GR02



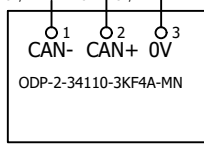
500TA2
24VDC
360mA



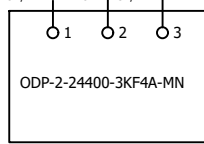
155TA1
5,8A
380-480V



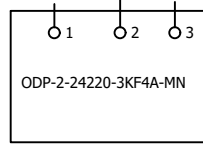
160TA1
28,9A
380-480V



150TA1
9,5A
380-480V

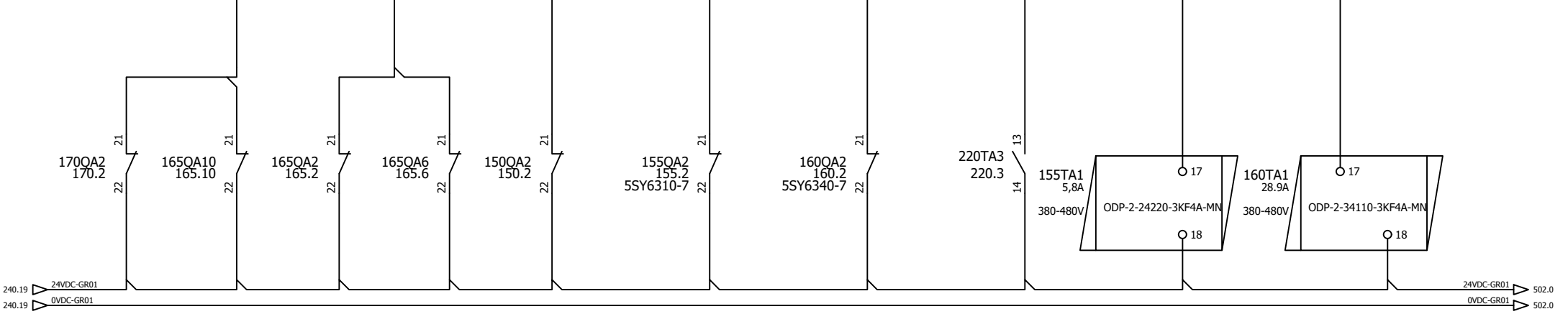


170TA1
5,8A
380-480V



400U3
400.3
DM 161

DM 161		PLC DIGITAL MIXED MODULE 8XDI 8XDO (+24 V/0.5 A) SV/0,05A					
Overload Failure Product Spreader Belt	Overload Failure Product Spreader	Overload Failure Headroller Separator	Overload Failure ECS Belt	Overload Failure Magnet Rotor	Emergency Stop	General Drive Alarm ECS-Belt	General Drive Alarm Magnet Rotor
DI01	DI02	DI03	DI04	DI05	DI06	DI07	DI08
X1	X1	X1	X1	X2	X2	X2	X2
1	2	3	4	1	2	3	4

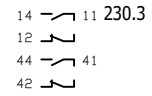
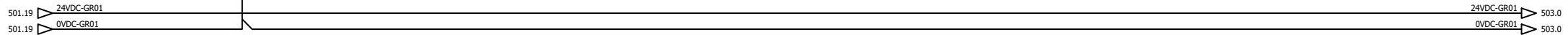
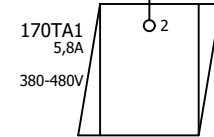
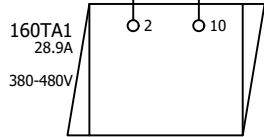
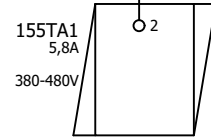
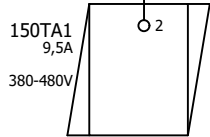
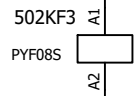


240.19 24VDC-GR01 502.0
240.19 0VDC-GR01 502.0

Designer: MV Design date: 22-09-2020 Rev. nr.: D Status: Released	Project name : - Project number : - Customer: - Customer number: -		Product: RECCB-CB-B-ZZZ-H-N Item number: E0135964 Doc. number: E0135964_Page-501.dwg	Drawing descr.: PLC I/O Sigmatek DM161 1-2 Digital inputs	Sheet: 501 Inst.: Loc.:
--	---	--	--	--	-------------------------------

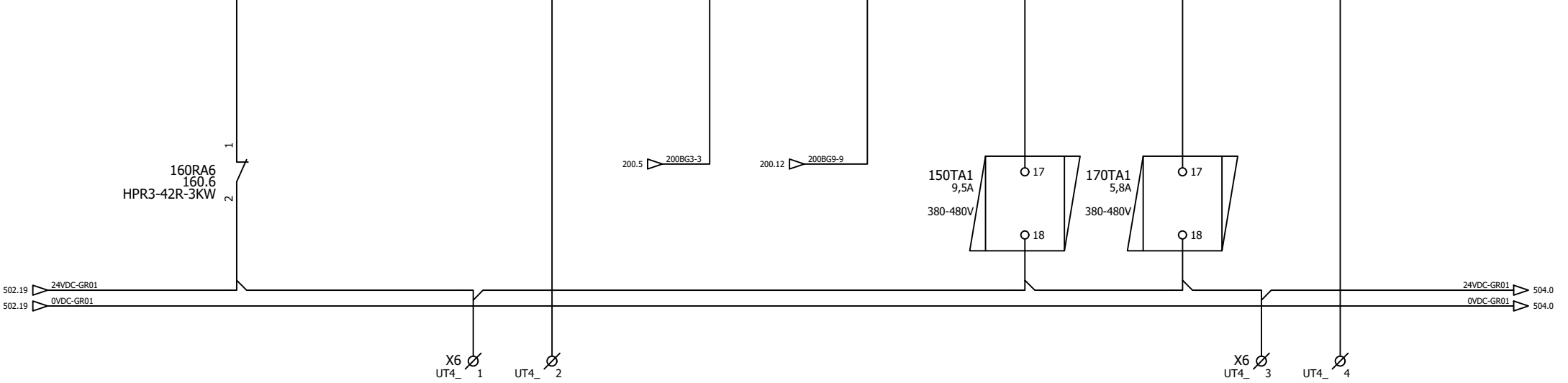
400U3
400.3
DM 161

DM 161		PLC DIGITAL MIXED MODULE 8XDI 8XDO (+24 V/0.5 A) SV/0,05A					
Enable Product Spreader	Enable Headroller Separator	Enable ECS-Belt	Enable Magnet Rotor	Spare	Spare	Enable Product Spreader Belt	Spare
-	-	-	-	-	-	-	-
DO01	DO02	DO03	DO04	DO05	DO06	DO07	DO08
X3	X3	X3	X3	X4	X4	X4	X4
Q 1	Q 2	Q 3	Q 4	Q 1	Q 2	Q 3	Q 4



400U5
400.5
DM 161

DM 161		PLC DIGITAL MIXED MODULE 8XDI 8XDO (+24 V/0.5 A) SV/0,05A						
Thermal Failure	Spare	PLC Start/Stop	Speed Puls Sensor ECS-Belt	Speed Puls Sensor Drum Magnet/HRS	General Drive Alarm	General Drive Alarm Product Spreader Belt	Option	
Brake Resistor	-	-	-	-	Headroller Separator	-	-	
Magnet Rotor	-	From Control Room	-	-	-	-	-	
DI01	DI02	DI03	DI04	DI05	DI06	DI07	DI08	
X1	X1	X1	X1	X2	X2	X2	X2	
1	2	3	4	1	2	3	4	



Designer: MV
Design date: 22-09-2020
Rev. nr.: D
Status: Released

Project name : -
Project number : -
Customer: -
Customer number: -



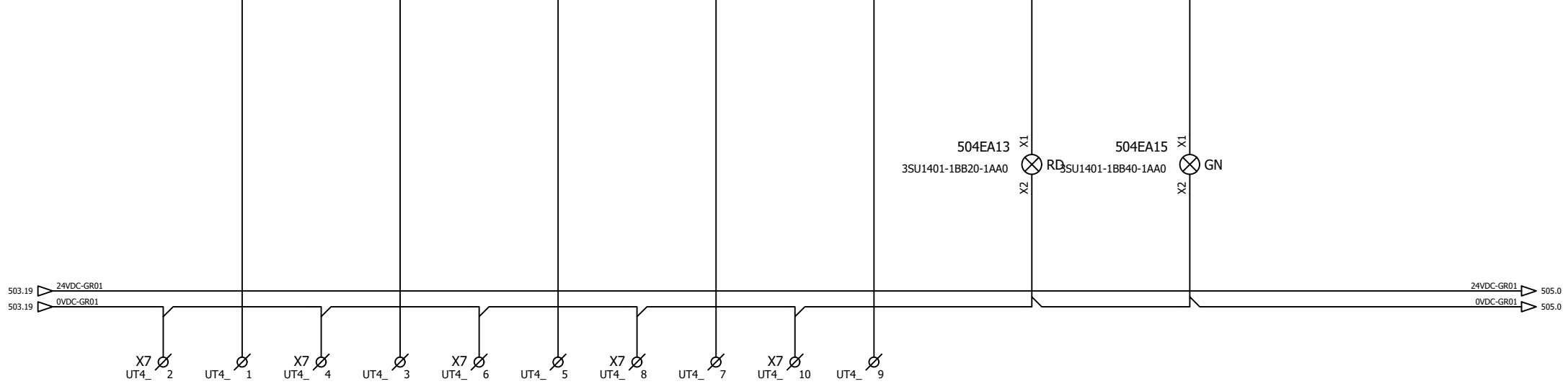
Product: RECCB-CB-B-ZZZ-H-N
Item number: E0135964
Doc. number: E0135964_Page-503.dwg

Drawing descr.: PLC I/O Sigmatek DM161 1-2
Digital inputs

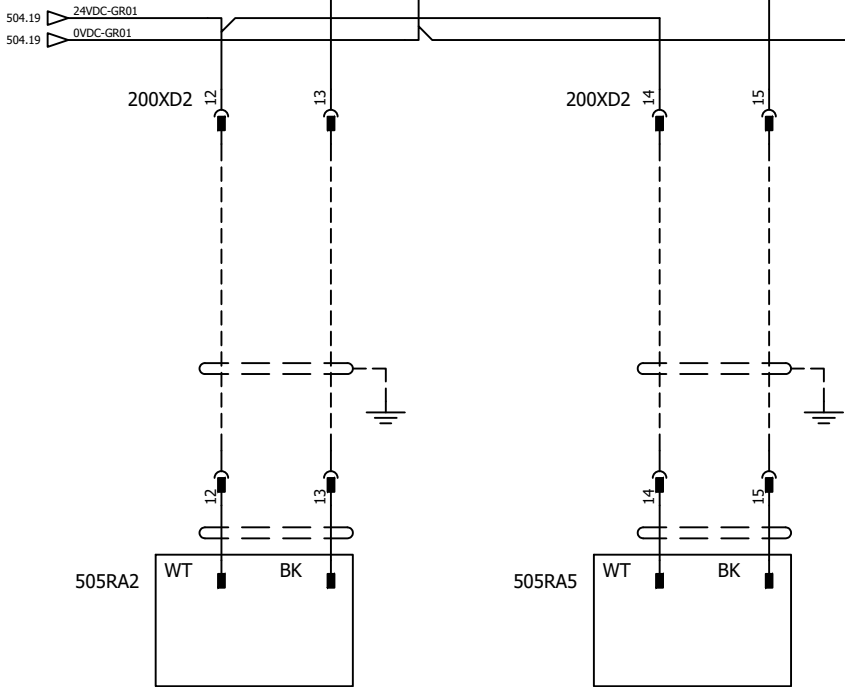
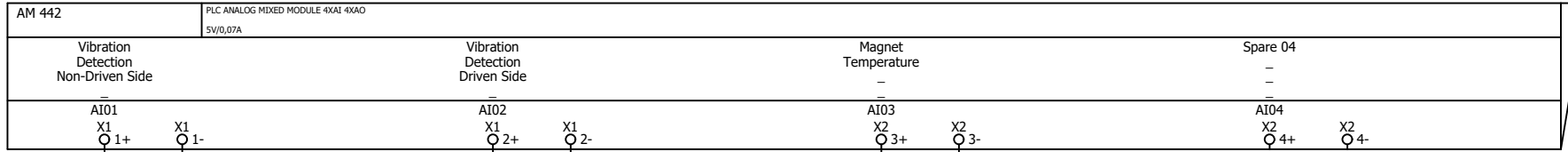
Sheet: 503
Inst.:
Loc.:

400U5
400.5
DM 161

DM 161		PLC DIGITAL MIXED MODULE 8XDI 8XDO (+24 V/0.5 A) SV/0,05A							
Control Mode Local / remote	Machine Running	Machine Feed Ready	General Alarm	General Drive Alarm Magnet Rotor/ ECS-Belt To Control Room	Alarm	Running	Spare		
-	-	-	-	-	-	-	-	-	
To Control Room	To Control Room	To Control Room	To Control Room	To Control Room	To Control Room				
DO01 X3 O 1	DO02 X3 O 2	DO03 X3 O 3	DO04 X3 O 4	DO05 X4 O 1	DO06 X4 O 2	DO07 X4 O 3	DO08 X4 O 4		

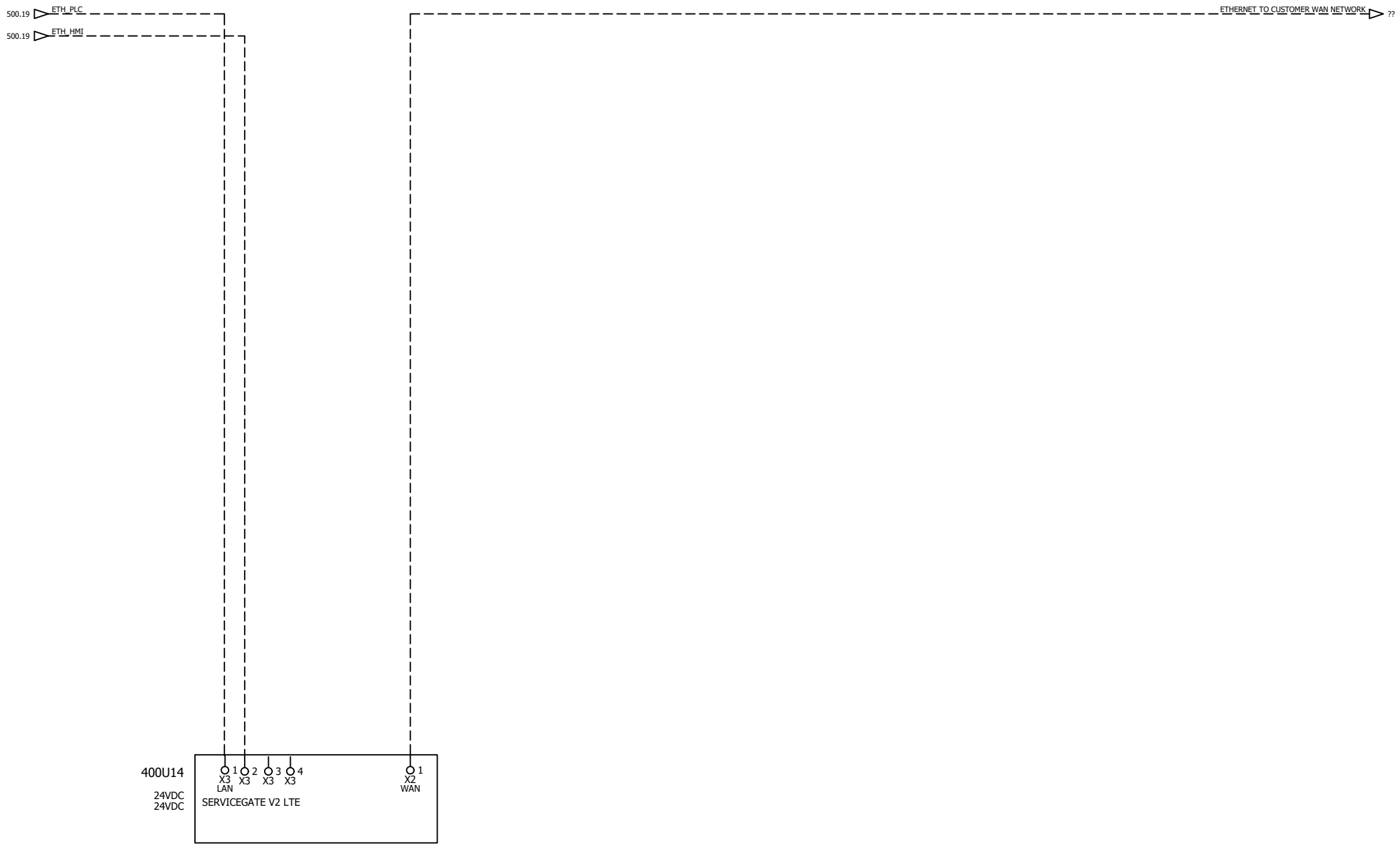


400U6
400.6
AM442



400U06																				
AM442	Spare 01		Spare 02		Spare 03		Spare 04													
	-		-		-		-													
	-		-		-		-													
	AO01		AO02		AO03		AO04													
	X3		X3		X4		X4													
	Q 1+		Q 2+		Q 3+		Q 4+													
	Q 1-		Q 2-		Q 3-		Q 4-													





Designer: MV
Design date: 22-09-2020
Rev. nr.: D
Status: Released

Project name : -
Project number : -
Customer: -
Customer number: -




Product: RECCB-CB-B-ZZZ-H-N
Item number: E0135964
Doc. number: E0135964_Page-800.dwg

Drawing descr.: Spare connections

Sheet: 800
Inst.:
Loc.:

Bill of Material

#	Item number	Manufacturer	Product Code	Custom code	Description
1	E0029985	BATENBURG	10301068	HPR3-42R-3KW	FIXED, 42R 3000W, WITH CLIXON
1	E0120862	GOUDSMIT		CONTR BOX REC1500 Ø700 INCL HRS	SEE E-DWG PAGE 990 FOR DETAILS
1	EIA1378000	GRAYLE	010.01.722319	PATCH CAT5E 3M GREEN	RJ45 TO RJ45 CAT5E, FTP, 3MTR, GREEN
4	EIA1378001	GRAYLE	010.01.722219	PATCH CAT5E 3M BLUE	RJ45 TO RJ45 CAT5E,FTP, 3MTR, BLUE
1	EIEY000007	HARTING	09.33.024.2701	09.33.024.2701	FEMALE INSERT SCREW 24 POLE
1	EIEY000008	HARTING	09.30.024.0307	09.30.024.0307	24B BULKHEAD MOUNTED HOUSINGS SINGLE LOCKING
1	EIEY000011	HARTING	09.33.010.2701	09.33.010.2701	FEMALE INSERT SCREW 10 POLE
1	EIEY000012	HARTING	09.30.010.0305	09.30.010.0305	10B BULKHEAD MOUNTED HOUSINGS SINGLE LOCKING
1	EIEY000019	HARTING	7100605	09.31.006.2701	FEMALE INSERT SCREW 6P 35A
1	EIEY000020	HARTING	09.30.016.0307	09.30.016.0307	16B BULKHEAD MOUNTED HOUSINGS SINGLE LOCKING
1	EIEY000015	HARTING	09.33.006.2701	09.33.006.2701	FEMALE INSERT SCREW 6 POLE
1	EIEY000016	HARTING	09.30.006.0301	09.30.006.0301	6B BULKHEAD MOUNTED HOUSINGS SINGLE LOCKING
1	EIQC4K0002	INVERTEK	ODP-2-24400-3KF4A-MN	ODP-2-24400-3KF4A-MN	FREQUENCY INVERTER, P2, 9,5A / 380-480VAC, IP66
1	EIQC11K008	INVERTEK	ODP-2-34110-3KF4A-MN	ODP-2-34110-3KF4A-MN	FREQUENCY INVERTER, P2, 28,9A / 380-480VAC, IP66
2	EIQC2K2012	INVERTEK	ODP-2-24220-3KF4A-MN	ODP-2-24220-3KF4A-MN	FREQUENCY INVERTER, P2, 5,8A / 380-480VAC, IP66
1	EIDK600004	OMRON	PYF08S	PYF08S	SOCKET FOR MY2(S)
1	EIDF632004	OMRON	MY2IN-24VDC	MY2IN-24VDC	2XNO/NC, DPDT
1	E0029983	PHOENIX	2864370	MINI MCR-SL-PT100-UI-200-NC	TEMPERATURE TRANSDUCER 3-WAY ISOLATED 0-200°C FOR PT100
1	E0085115	PHOENIX	2770024	D-UKK 3-5	END COVER FOR UKK 3-5 TERMINALS
7	EIOM040000	PHOENIX	3047028	D-UT 2-5-10	END COVER FOR UT 2,5-10 TERMINALS
1	EIOM050005	PHOENIX	3047028	D-UT 16	END COVER FOR UT 16 TERMINALS
12	EIOM100002	PHOENIX	3022218	CLIPFIX 35	END CLAMB FOR 35MM DIN RAIL, CLIPFIX 35
4	EIOJ320000	PHOENIX	3044128	UT4-PE	1 LEVEL - SCREW, GROUND, 0.14 - 6mm²
36	EIOJ020002	PHOENIX	3044102	UT4_	1 LEVEL - SCREW 0.14 - 6mm²
3	EIOJ040002	PHOENIX	3044160	UT10	1 LEVEL - SCREW 0.5 - 16mm²
2	EIOJ010003	PHOENIX	2774017	UKK5	2 LEVELS - SCREW 0.2 - 4mm²
1	EIOJ350002	PHOENIX	3044212	UT16-PE	1 LEVEL - SCREW, GROUND, 1,5 - 25mm²
3	EIOJ050005	PHOENIX	3044199	UT16	1 LEVEL - SCREW 1,5 - 25mm²
1	EISE303000	REMOTE ENGINEER	SERVICEGATE V2 LTE	SERVICEGATE V2 LTE	REMOTE ACCESS POINT FOR PLC CONTROLLERS
1	EILB412000	RS	707-7599	120 Ohm	FIXED, 120OHM, 5%, 0,,5W
1	EIFD403001	SIEMENS	7056701	3SU1401-1BB20-1AA0	ACTUATOR-/INDICATOR COMPONENT WITH INTEGRATED LED 24V AC/DC LAMP HOLDER SCREW TERMINAL RED
1	EIFC050007	SIEMENS	7055294	3SU1001-6AA20-0AA0	22MM PLASTIC ROUND INDICATOR: SMOOTH LENS, RED
1	EICH000022	SIEMENS	7056854	3SU1500-0AA10-0AA0	22MM PUSHBUTTON HOLDER FOR 3 MODULES

Designer: MV Design date: 22-09-2020 Rev. nr.: D Status: Released	Project name : - Project number : - Customer: - Customer number: -		Product: RECCB-CB-B-ZZZ-H-N Item number: E0135964 Doc. number: E0135964_Page-900.dwg	Drawing descr.: Bill of material	Sheet: 900 Inst.: Loc.:
--	---	---	--	----------------------------------	-------------------------------

Bill of Material

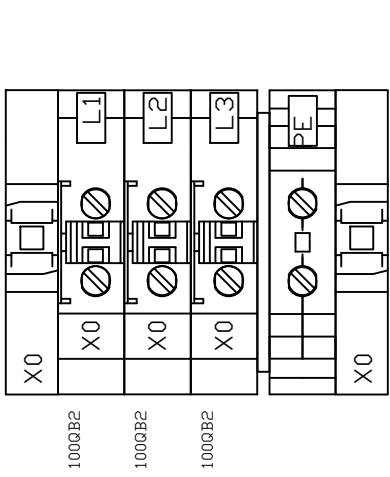
#	Item number	Manufacturer	Product Code	Custom code	Description
1	EIFD403002	SIEMENS	7056705	3SU1401-1BB40-1AA0	ACTUATOR-/INDICATOR COMPONENT WITH INTEGRATED LED 24V AC/DC LAMP HOLDER SCREW TERMINAL GREEN
1	EIFC050005	SIEMENS	7055297	3SU1001-6AA40-0AA0	22MM PLASTIC ROUND INDICATOR: SMOOTH LENS, GREEN
1	EICH000022	SIEMENS	7056854	3SU1500-0AA10-0AA0	22MM PUSHBUTTON HOLDER FOR 3 MODULES
3	E0029950	SIEMENS	3RT2016-1BB41	3RT2016-1BB41	AC-3, 4KW/400V, 1NO, 24V DC, 3-POLE, SZ S00, SCREW TERMINAL
1	EICG032200	SIEMENS	7056639	3SU1400-1AA10-1BA0	CONTACT BLOCK WITH 1 CONTACT ELEMENT, SCREW TERMINAL, 1NO
1	EICH000018	SIEMENS	7055014	3SU1000-0AB50-0AA0	22MM PLASTIC ROUND ACTUATOR: PUSHBUTTON WITH FLAT BUTTON, BLUE
1	EICH000022	SIEMENS	7056854	3SU1500-0AA10-0AA0	22MM PUSHBUTTON HOLDER FOR 3 MODULES
1	E0029943	SIEMENS	3SK1111-1AB30	3SK1111-1AB30	3XNO CONTACTS + RELAY SIGNALING CIRCUIT 1 NC CONTACT US = 24 V AC/DC SCREW TERMINAL
1	EIHD043003	SIEMENS	5SY6316-7	5SY6316-7	3-POLE, C, 400V 6KA, 16A
1	EIHD332001	SIEMENS	5ST3010	5ST3010	AUXILIARY SWITCH, 1NO+1NC,
1	EIHD063000	SIEMENS	7019839	5SY6340-7	3-POLE, C, 400V 6KA, 40A
1	EIHD332001	SIEMENS	5ST3010	5ST3010	AUXILIARY SWITCH, 1NO+1NC,
2	EIHD043004	SIEMENS	5SY6310-7	5SY6310-7	3-POLE, C, 400V 6KA, 10A
2	EIHD332001	SIEMENS	5ST3010	5ST3010	AUXILIARY SWITCH, 1NO+1NC,
1	E0029956	SIEMENS	3RV2011-1GA10	3RV2011-1GA10	SZ S00, FOR MOTOR PROTECTION, CLASS 10, A-REL. 4.5...6.3A,
1	E0025012	SIEMENS	3RV2901-1E	3RV2901-1E	AUXILIARY SWITCH 1XNO 1XNC FOR MOTOR PROTECTION CIRCUIT-BREAKER
2	EIHC013006	SIEMENS	8942005	3RV2011-0EA10	SZ S00, FOR MOTOR PROTECTION, CLASS 10, A-REL. 0.28...0.4A,
2	E0025012	SIEMENS	3RV2901-1E	3RV2901-1E	AUXILIARY SWITCH 1XNO 1XNC FOR MOTOR PROTECTION CIRCUIT-BREAKER
1	E0029959	SIEMENS	5SY6104-7	5SY6104-7	1-POLE, C, 230/400V 6KA, 4A
1	E0025015	SIEMENS	5SY6206-7	5SY6206-7	2-POLE, C, 400V 6KA,6A
1	E0025014	SIEMENS	6EP1333-3BA10	6EP1333-3BA10	SITOP PSU200M 5A STABILIZED POWER SUPPLY INPUT: 120/230-500 V AC OUTPUT: 24 V DC/5 A
1	E0025004	SIEMENS	3LD2504-0TK53	3LD2504-0TK53	EMERGENCY-STOP SWITCH, 3-POLE, 1u:63 A, AC-23 A AT 400 V: 22 kW, FRONT MOUNTED, RED/YELLOW
1	E0061995	SIGMATEK	16-911-030	RJ45 TO MINI I/O 3MTR	RJ45 TO MINI 3MTR
1	E0024480	SIGMATEK	01-230-731	ETT731	7" WVGA TFT COLOR DISPLAY
2	E0027373	SIGMATEK	20-008-161	DM 161	DIGITAL MIXED MODULE 8XDI 8XDO (+24 V/0.5 A)
1	E0016876	SIGMATEK	20-017-442	AM 442	ANALOG MIXED MODULE 4XAI 4XAO
1	E0027409	SIGMATEK	20-004-102	CP 102	CPU 256MB NAND
1	E0078679	_UNKNOWN	X	SEE PAGE 990 FOR DETAILS	SEE E-DWG PAGE 990 FOR DETAILS

Components list

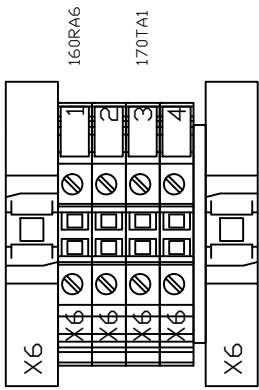
Component code	Item number	Manufacturer	Product Code	Custom code	Description
100QB2	E0025004	SIEMENS	3LD2504-0TK53	3LD2504-0TK53	SWITCH 3LD2504-0TK53 SIEMENS
110GB2	E0025014	SIEMENS	6EP1333-3BA10	6EP1333-3BA10	POWER SUPPLY 6EP1333-3BA10 SIEMENS
110QA2	E0025015	SIEMENS	5SY6206-7	5SY6206-7	CIRCUIT BR. 5SY6206-7 SIEMENS
110QA2.1	E0029959	SIEMENS	5SY6104-7	5SY6104-7	CIRCUIT BR. 5SY6104-7 SIEMENS
150QA2	EIHD043003 EIHD332001	SIEMENS SIEMENS	5SY6316-7 5ST3010	5SY6316-7 5ST3010	CIRCUIT BR. 5SY6316-7 SIEMENS CIRCUIT BR. AUX. 5ST3010 SIEMENS
150TA1	EIQC4K0002	INVERTEK	ODP-2-24400-3KF4A-MN	ODP-2-24400-3KF4A-MN	DRIVE ODP-2-24400-3KF4A-MN INVERTEK
150XD2	EIEY000011 EIEY000012	HARTING HARTING	09.33.010.2701 09.30.010.0305	09.33.010.2701 09.30.010.0305	CONNECTOR 09.33.010.2701 HARTING CONNECTOR 09.30.010.0305 HARTING
155QA2	EIHD043004 EIHD332001	SIEMENS SIEMENS	5SY6310-7 5ST3010	5SY6310-7 5ST3010	CIRCUIT BR. 5SY6310-7 SIEMENS CIRCUIT BR. AUX. 5ST3010 SIEMENS
155TA1	EIQC2K2012	INVERTEK	ODP-2-24220-3KF4A-MN	ODP-2-24220-3KF4A-MN	DRIVE ODP-2-24220-3KF4A-MN INVERTEK
155XD2	EIEY000015 EIEY000016	HARTING HARTING	09.33.006.2701 09.30.006.0301	09.33.006.2701 09.30.006.0301	CONNECTOR 09.33.006.2701 HARTING CONNECTOR 09.30.006.0301 HARTING
160QA2	EIHD063000 EIHD332001	SIEMENS SIEMENS	7019839 5ST3010	5SY6340-7 5ST3010	CIRCUIT BR. 5SY6340-7 SIEMENS CIRCUIT BR. AUX. 5ST3010 SIEMENS
160RA6	E0029985	BATENBURG	10301068	HPR3-42R-3KW	RESISTOR HPR3-42R-3KW BATENBURG
160TA1	EIQC11K008	INVERTEK	ODP-2-34110-3KF4A-MN	ODP-2-34110-3KF4A-MN	DRIVE ODP-2-34110-3KF4A-MN INVERTEK
160XD2	EIEY000019 EIEY000020	HARTING HARTING	7100605 09.30.016.0307	09.31.006.2701 09.30.016.0307	CONNECTOR 09.31.006.2701 HARTING CONNECTOR 09.30.016.0307 HARTING
165QA10	EIHC013006 E0025012	SIEMENS SIEMENS	8942005 3RV2901-1E	3RV2011-0EA10 3RV2901-1E	CIRCUIT BR. MOTOR 3RV2011-0EA10 SIEMENS CIRCUIT BR. MOTOR AUX. 3RV2901-1E SIEMENS
165QA2	E0029956 E0025012	SIEMENS SIEMENS	3RV2011-1GA10 3RV2901-1E	3RV2011-1GA10 3RV2901-1E	CIRCUIT BR. MOTOR 3RV2011-1GA10 SIEMENS CIRCUIT BR. MOTOR AUX. 3RV2901-1E SIEMENS
165QA6	EIHC013006 E0025012	SIEMENS SIEMENS	8942005 3RV2901-1E	3RV2011-0EA10 3RV2901-1E	CIRCUIT BR. MOTOR 3RV2011-0EA10 SIEMENS CIRCUIT BR. MOTOR AUX. 3RV2901-1E SIEMENS
170QA2	EIHD043004 EIHD332001	SIEMENS SIEMENS	5SY6310-7 5ST3010	5SY6310-7 5ST3010	CIRCUIT BR. 5SY6310-7 SIEMENS CIRCUIT BR. AUX. 5ST3010 SIEMENS
170TA1	EIQC2K2012	INVERTEK	ODP-2-24220-3KF4A-MN	ODP-2-24220-3KF4A-MN	DRIVE ODP-2-24220-3KF4A-MN INVERTEK
200XD2	EIEY000007 EIEY000008	HARTING HARTING	09.33.024.2701 09.30.024.0307	09.33.024.2701 09.30.024.0307	CONNECTOR 09.33.024.2701 HARTING CONNECTOR 09.30.024.0307 HARTING

Components list

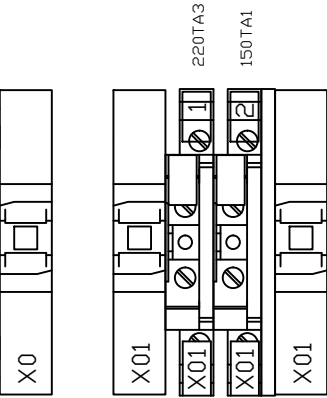
Component code	Item number	Manufacturer	Product Code	Custom code	Description
220SF12	EICG032200 EICH000018 EICH000022	SIEMENS SIEMENS SIEMENS	7056639 7055014 7056854	3SU1400-1AA10-1BA0 3SU1000-0AB50-0AA0 3SU1500-0AA10-0AA0	PUSHBUTTON 3SU1400-1AA10-1BA0 SIEMENS PUSHBUTTON 3SU1000-0AB50-0AA0 SIEMENS HOLDER 3SU1500-0AA10-0AA0 SIEMENS
220TA3	E0029943	SIEMENS	3SK1111-1AB30	3SK1111-1AB30	SAFETY RELAY 3SK1111-1AB30 SIEMENS
230KF3	E0029950	SIEMENS	3RT2016-1BB41	3RT2016-1BB41	CONTACTOR 3RT2016-1BB41 SIEMENS
230KF6	E0029950	SIEMENS	3RT2016-1BB41	3RT2016-1BB41	CONTACTOR 3RT2016-1BB41 SIEMENS
230KF9	E0029950	SIEMENS	3RT2016-1BB41	3RT2016-1BB41	CONTACTOR 3RT2016-1BB41 SIEMENS
240TA2	E0029983	PHOENIX	2864370	MINI MCR-SL-PT100-UI-200-NC	TRANSDUCER MINI MCR-SL-PT100-UI-200-NC PHOENIX
400U14	EISE303000	REMOTE ENGINEER	SERVICEGATE V2 LTE	SERVICEGATE V2 LTE	GEN-SERVICEGATE V2 LTE REMOTE ENGINEER
400U2	E0027409	SIGMATEK	20-004-102	CP 102	PLC CP 102 SIGMATEK
400U3	E0027373	SIGMATEK	20-008-161	DM 161	PLC DM 161 SIGMATEK
400U5	E0027373	SIGMATEK	20-008-161	DM 161	PLC DM 161 SIGMATEK
400U6	E0016876	SIGMATEK	20-017-442	AM 442	PLC AM 442 SIGMATEK
500RA7	EILB412000	RS	707-7599	120 Ohm	RESISTOR 120 Ohm RS
500TA2	E0024480	SIGMATEK	01-230-731	ETT731	GEN-SPARE-DP ETT731 SIGMATEK
500WD10	EIA1378001	GRAYLE	010.01.722219	PATCH CAT5E 3M BLUE	CABLE PATCH CAT5E 3M BLUE GRAYLE
500WD13	EIA1378001	GRAYLE	010.01.722219	PATCH CAT5E 3M BLUE	CABLE PATCH CAT5E 3M BLUE GRAYLE
500WD17	EIA1378001	GRAYLE	010.01.722219	PATCH CAT5E 3M BLUE	CABLE PATCH CAT5E 3M BLUE GRAYLE
500WD4	EIA1378000	GRAYLE	010.01.722319	PATCH CAT5E 3M GREEN	CABLE PATCH CAT5E 3M GREEN GRAYLE
500WD5	E0061995	SIGMATEK	16-911-030	RJ45 TO MINI I/O 3MTR	CABLE RJ45 TO MINI I/O 3MTR SIGMATEK
500WD7	EIA1378001	GRAYLE	010.01.722219	PATCH CAT5E 3M BLUE	CABLE PATCH CAT5E 3M BLUE GRAYLE
502KF3	EIDK600004 EIDF632004	OMRON OMRON	PYF08S MY2IN-24VDC	PYF08S MY2IN-24VDC	CONTROL RELAY AUX. PYF08S OMRON CONTROL RELAY MY2IN-24VDC OMRON
504EA13	EIFD403001 EIFC050007 EICH000022	SIEMENS SIEMENS SIEMENS	7056701 7055294 7056854	3SU1401-1BB20-1AA0 3SU1001-6AA20-0AA0 3SU1500-0AA10-0AA0	INDICATOR 3SU1401-1BB20-1AA0 SIEMENS INDICATOR 3SU1001-6AA20-0AA0 SIEMENS HOLDER 3SU1500-0AA10-0AA0 SIEMENS
504EA15	EIFD403002 EIFC050005 EICH000022	SIEMENS SIEMENS SIEMENS	7056705 7055297 7056854	3SU1401-1BB40-1AA0 3SU1001-6AA40-0AA0 3SU1500-0AA10-0AA0	INDICATOR 3SU1401-1BB40-1AA0 SIEMENS INDICATOR 3SU1001-6AA40-0AA0 SIEMENS HOLDER 3SU1500-0AA10-0AA0 SIEMENS
990TEXTPLATE10	E0120862	GOUDSMIT		CONTR BOX REC1500 Ø700 INCL HRS	TEXT PLATE CONTR BOX REC1500 Ø700 INCL HRS
990TEXTPLATE2	E0078679	_UNKNOWN	X	SEE PAGE 990 FOR DETAILS	TEXT PLATE SEE PAGE 990 FOR DETAILS



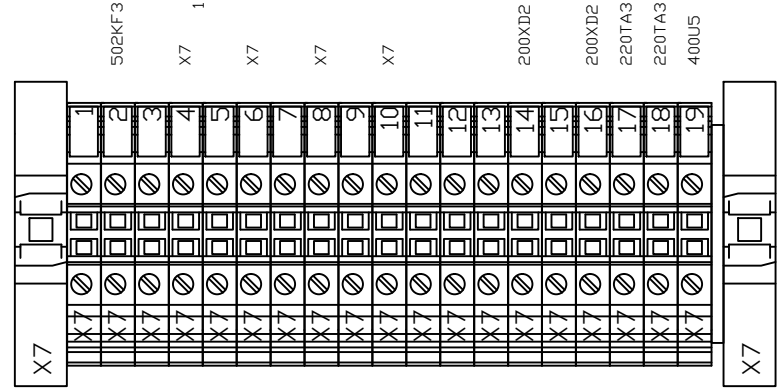
100QB2
100QB2
100QB2



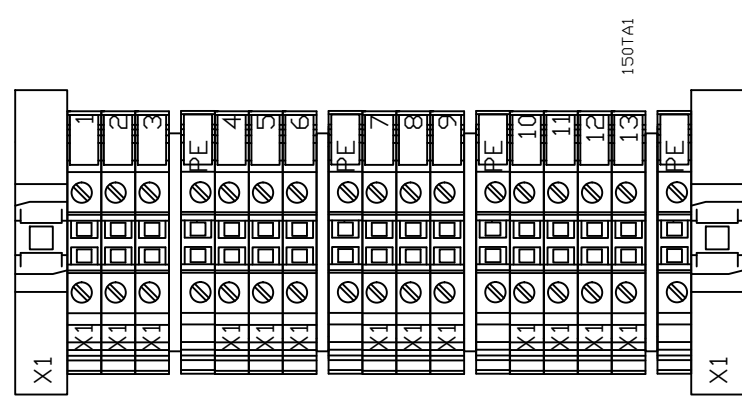
150RA6
170TA1
150TA1
400U5
200XD2
400U5



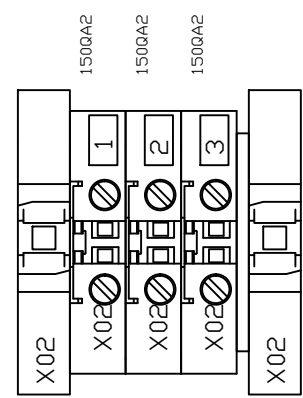
220TA3
150TA1



502KF3
X7
110QA2.1 ,200XD2
X7
110GB2 ,200XD2
X7
X7
X7
504EA13
220TA3
220TA3
220TA3
220TA3
200XD2
200XD2
400U5



230KF3
230KF3
230KF3
230KF6
230KF6
230KF6
230KF9
230KF9
230KF9
150TA1
150TA1
150TA1
150TA1



165QA2 ,110QA2
165QA2 ,100QB2
165QA2 ,110QA2

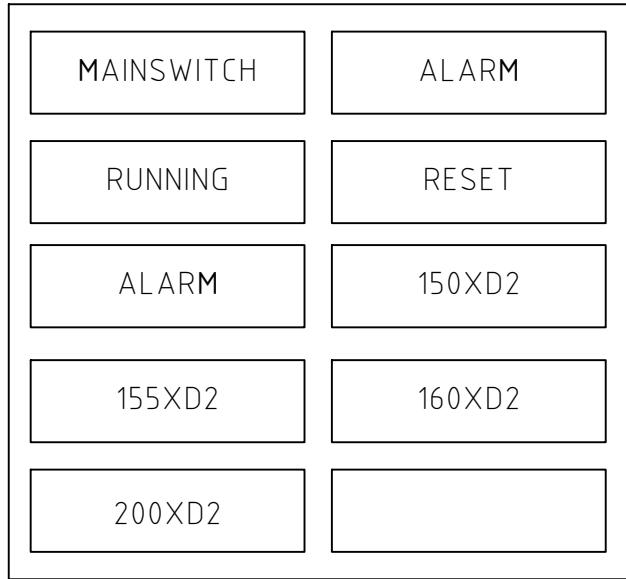
□ X0 ES1 CLIPFIX 35
□ X0 EP1 D-UT 16
□ X0 ES2 CLIPFIX 35

□ X1 ES1 CLIPFIX 35
□ X1 EP1 D-UT 2-5-10
□ X1 EP2 D-UT 2-5-10
□ X1 ES2 CLIPFIX 35
□ X1 EP3 D-UT 2-5-10
□ X1 EP4 D-UT 2-5-10

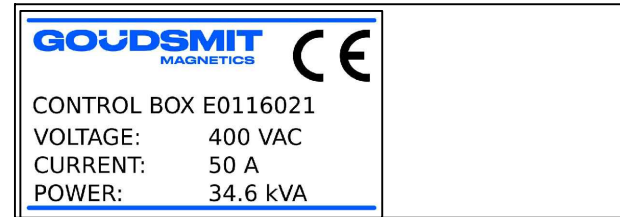
□ X6 ES3 CLIPFIX 35
□ X6 EP2 D-UT 2-5-10
□ X6 ES4 CLIPFIX 35
□ X01 ES7 CLIPFIX 35
□ X01 EP4 D-UKK 3-5
□ X01 ES8 CLIPFIX 35

□ X7 ES5 CLIPFIX 35
□ X7 EP3 D-UT 2-5-10
□ X7 ES6 CLIPFIX 35
□ X02 ES9 CLIPFIX 35
□ X02 EP5 D-UT 2-5-10
□ X02 ES10 CLIPFIX 35

990TEXTPLATE2



990TEXTPLATE10



- Text plate dimension: 45x15mm
- Text plate color: White
- Text color: Black

Kabelsatser

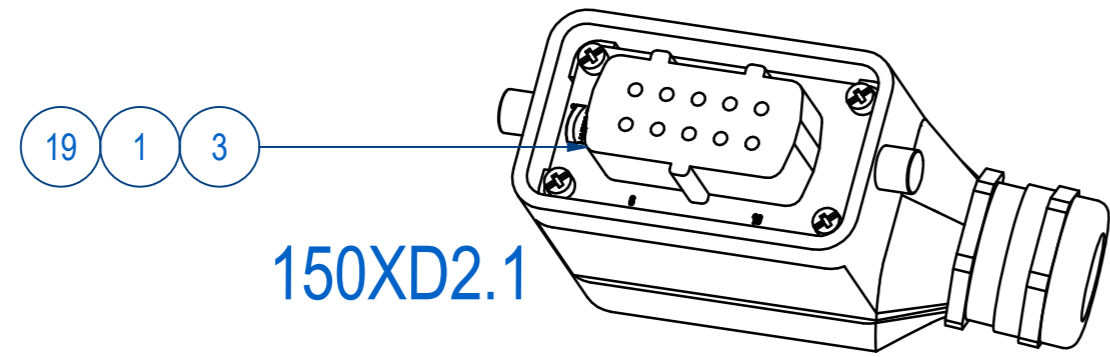
RECCB-CS-10-F-B

Artikelnummer: E0004848

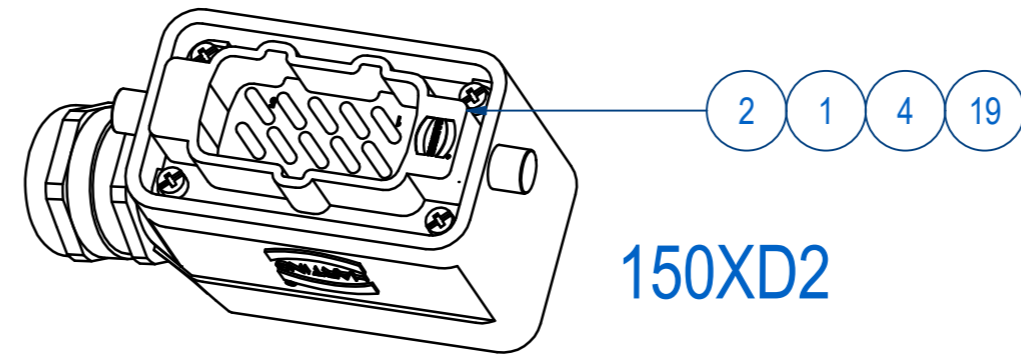
Product Features

Beskrivning	GOUDSMIT Kabelsats för virvelströmsseparator
Artikelnummer	E0004848
Produktnyckel	RECCB-CS-10-F-B
Längd	10 meter (från kontaktdon till kontaktdon)
Inklusive	Harting-kontaktdon

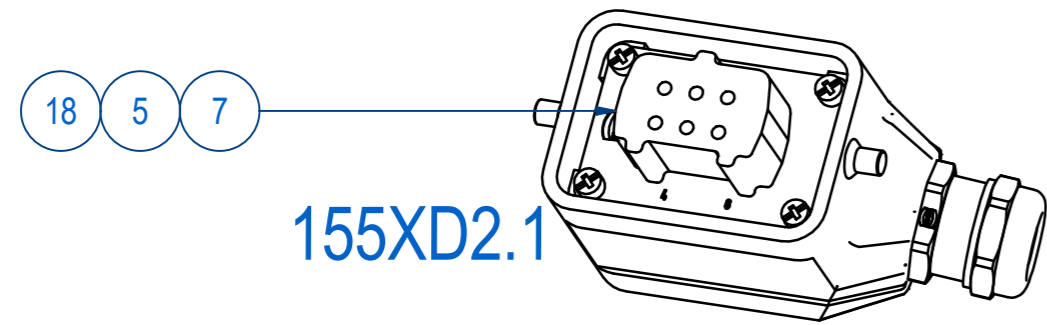
REV	DATE	BY	DESCRIPTION
C	7-2-2018	DD	BALLOONS CHANGED
D	18-6-2019	TT	CHANGED X1 AND XX1 TO EMC WITH SHIELDED CABLE
E	14-10-2020	MV	SCHEMATIC IN AUTOCAD ELECTRICAL



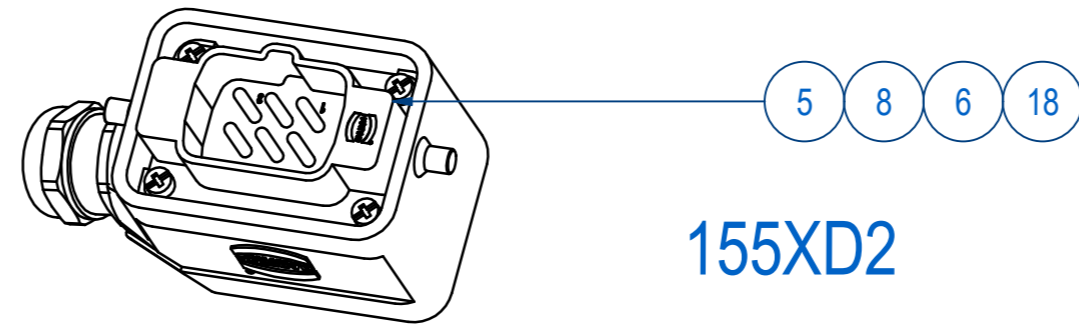
150XD2.1



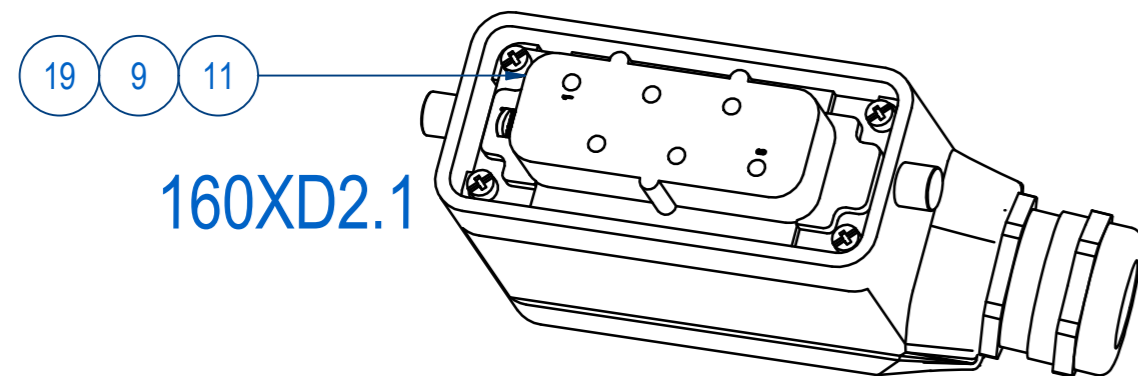
150XD2



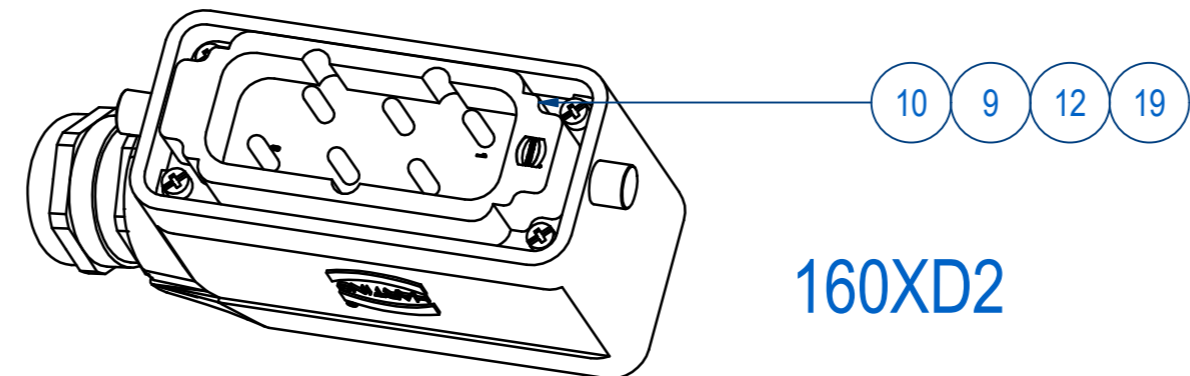
155XD2.1



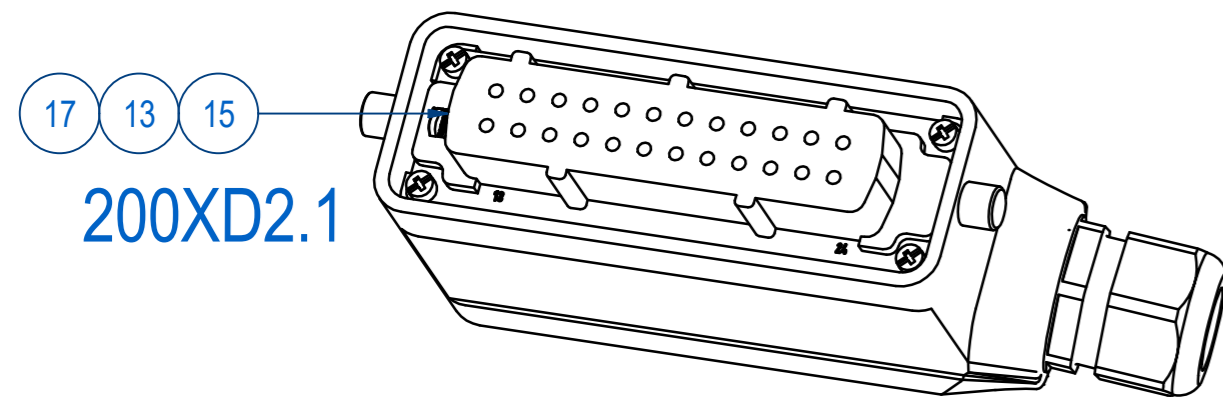
155XD2



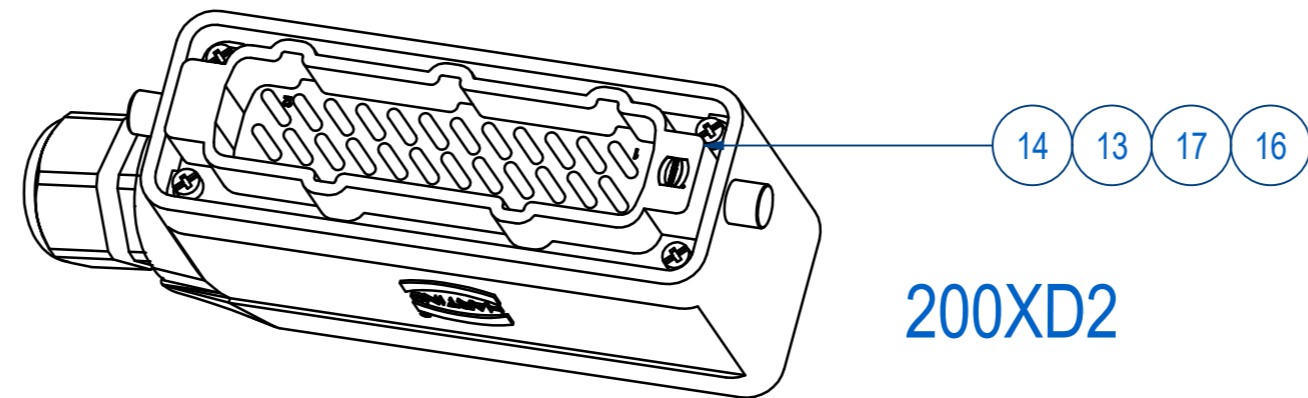
160XD2.1



160XD2



200XD2.1



200XD2

19	4	EIYP190025	CABLE GLAND MS-SC-M25x1,5 EMC	
18	2	EIYP190020	CABLE GLAND MS-SC-M20x1,5 EMC	
17	2	EIYP090025	CABLE GLAND PA M25X1.5	
16	1	E0136457	CABLE ECS 25x1, 10 METER	
15	1	EIEY000007	CONNECTOR 09.33.024.2701 HARTING	
14	1	EIEY000005	CONNECTOR 09.33.024.2601 HARTING	
13	2	EIEY000035	CONNECTOR 19.30.024.1541 HARTING	
12	1	E0004759	CABLE ECS 4x4, 10 METER	
11	1	EIEY000019	CONNECTOR 09.31.006.2701 HARTING	
10	1	EIEY000017	CONNECTOR 09.31.006.2601 HARTING	
9	2	EIEY000018	CONNECTOR 19.30.016.1541 HARTING	
8	1	E0004758	CABLE ECS 4x2.5, 10 METER	
7	1	EIEY000015	CONNECTOR 09.33.006.2701 HARTING	
6	1	EIEY000013	CONNECTOR 09.33.006.2601 HARTING	
5	2	EIEY000014	CONNECTOR 09.30.006.1540 HARTING	
4	1	E0117353	CABLE ECS 12x1.5, 10 METER	
3	1	EIEY000011	CONNECTOR 09.33.010.2701 HARTING	
2	1	EIEY000009	CONNECTOR 09.33.010.2601 HARTING	
1	2	EIEY000034	CONNECTOR 19.30.010.1541 HARTING	

ITEM	QTY	PART NUMBER	DESCRIPTION	Dimensions
RAW MAT.	1			
Quantity		Material Number	Material Description	Length (mm) Width (mm)
Sheet: A2		Extra info:		General tolerance: ISO 2768- mK
Drawn: TT	Weight (kg): 4,4			Drawn according: ISO268; ISO1101; ISO2553
Date: 18-6-2019				Status: Released
Spare part: False	Source: MO-C			Customer reference number:
Quick search: RECCB-CS-10				Document number: E0079751 Doc.Rev: E
Description: RECCB-CS-10-F-B				Part number: E0004848 Rev: E



© All rights reserved. Reproduction is not permitted without written permission of GOUDSMIT Magnetic Systems BV



Customer name: -
Customer number: -
Country: The Netherlands
Language: English

Project Name: -
Project Number: -
Product: RECCB-CS-10-F-B
Item number: E0004848

Designer: MV	Supply Voltage: -
Design date: 07-10-2020	Nominal Power: -
Revision number: E	Max. supply Current: -
Status: Released	Control Voltage: -

Total pages: 009

Prev. sheet:

Next Sheet: 002

Designer: MV
Design date: 07-10-2020
Rev. nr.: E
Status: Released

Project name : -
Project number : -
Customer: -
Customer number: -



Product: RECCB-CS-10-F-B
Item number: E0004848
Doc. number: E0004848_Page-001.dwg

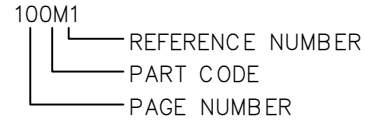
Drawing descr.: Front page

Sheet: 001
Inst.:
Loc.:

General specifications

PAGE NUMBERING	
1	Front page
2	Project specifications
10	Drawing list
100	Main circuit
150	Power supplies
200	Control circuit
300	-
400	PLC overview
500	PLC I/O
600	-
700	-
800	Spare connections
900	Bill of material
910	Components list
950	Terminal plan

TERMINAL NUMBERING	
X0	Main supply
X1	Main power
X2	Control voltage 230VAC
X3	Control voltage 24Vac
X4	Control voltage 24Vdc
X5	Analog signals
X6	External supply
X7	EEx i
X8	?
X9	?

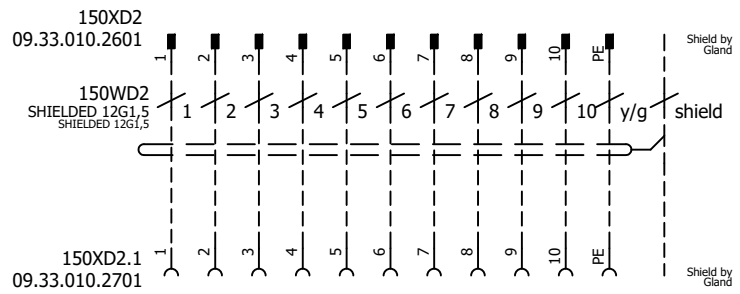


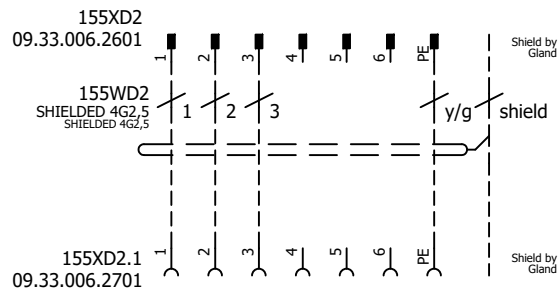
COLOR CODE INTERNAL WIRING		
Main current 400/230V	Phase	Black
	Neutral	Lightblue
	Earth	Yellow/Green
Control voltage 230Vac	Phase	Red
	Switch wire	Red
	Neutral	Red
Control voltage 24Vac	Phase (L)	Grey
	Switch wire	Grey
	Neutral (N)	Grey
Control voltage 24Vdc	Phase (+)	Darkblue
	Switch wire	Darkblue
	Neutral (-)	Darkblue
Control voltage 12Vdc	Phase (+)	White
	Switch wire	White
	Neutral (-)	White
Measurement		Purple
External supply (Potential free contacts)		Orange
EEx i		Blue

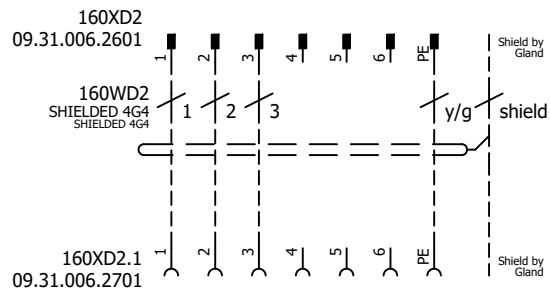
Drawing list

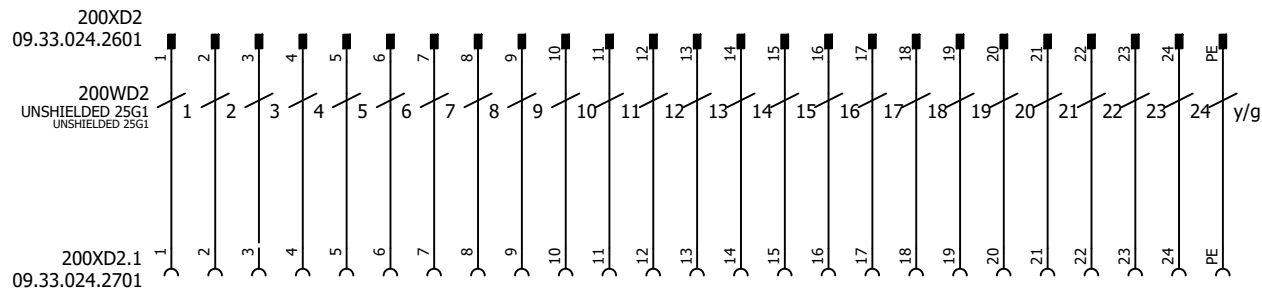
Installation	Location	Page	Description 1	Description 2	Description 3
		001	Front page		
		002	Project specification		
		010	Drawing list		
		150	Main circuit		
		155	Main circuit		
		160	Main circuit		
		200	Control circuit 24Vac		
		900	Bill of material		
		910	Components list		











Bill of Material

#	Item number	Manufacturer	Product Code	Custom code	Description
1	UNSHIELDED 25G1	DEFAULT	UNSHIELDED 25G1	UNSHIELDED 25G1	UNSHIELDED 25G1
1	SHIELDED 4G4	DEFAULT	SHIELDED 4G4	SHIELDED 4G4	SHIELDED 4G4
1	SHIELDED 4G2,5	DEFAULT	SHIELDED 4G2,5	SHIELDED 4G2,5	SHIELDED 4G2,5
1	SHIELDED 12G1,5	DEFAULT	SHIELDED 12G1,5	SHIELDED 12G1,5	SHIELDED 12G1,5
1	EIEY000007	HARTING	09.33.024.2701	09.33.024.2701	FEMALE INSERT SCREW 24 POLE
1	EIEY000035	HARTING	2184223	19.30.024.1541	HOOD HAN 24B M25 SIDE ENTRY
1	EIEY000005	HARTING	7106982	09.33.024.2601	MALE INSERT SCREW 24 POLE
1	EIEY000035	HARTING	2184223	19.30.024.1541	HOOD HAN 24B M25 SIDE ENTRY
1	EIEY000019	HARTING	7100605	09.31.006.2701	FEMALE INSERT SCREW 6P 35A
1	EIEY000018	HARTING	2166176	19.30.016.1541	HOOD HAN 16B M25 SIDE ENTRY
1	EIEY000017	HARTING	7100571	09.31.006.2601	MALE INSERT SCREW 6P 35A
1	EIEY000018	HARTING	2166176	19.30.016.1541	HOOD HAN 16B M25 SIDE ENTRY
1	EIEY000015	HARTING	09.33.006.2701	09.33.006.2701	FEMALE INSERT SCREW 6 POLE
1	EIEY000014	HARTING	7100555	09.30.006.1540	HOOD HAN 6B M20 SIDE ENTRY LC2
1	EIEY000013	HARTING	7106834	09.33.006.2601	MALE INSERT SCREW 6P 16A
1	EIEY000014	HARTING	7100555	09.30.006.1540	HOOD HAN 6B M20 SIDE ENTRY LC2
1	EIEY000011	HARTING	09.33.010.2701	09.33.010.2701	FEMALE INSERT SCREW 10 POLE
1	EIEY000034	HARTING	2184222	19.30.010.1541	HOOD HAN 10B M25 SIDE ENTRY
1	EIEY000009	HARTING	7106891	09.33.010.2601	MALE INSERT SCREW 10 POLE
1	EIEY000034	HARTING	2184222	19.30.010.1541	HOOD HAN 10B M25 SIDE ENTRY

Components list

Component code	Item number	Manufacturer	Product Code	Custom code	Description
150WD2	SHIELDED 12G1,5	DEFAULT	SHIELDED 12G1,5	SHIELDED 12G1,5	CABLE SHIELDED 12G1,5 DEFAULT
150XD2	EIEY000009	HARTING	7106891	09.33.010.2601	CONNECTOR 09.33.010.2601 HARTING
	EIEY000034	HARTING	2184222	19.30.010.1541	CONNECTOR 19.30.010.1541 HARTING
150XD2.1	EIEY000011	HARTING	09.33.010.2701	09.33.010.2701	CONNECTOR 09.33.010.2701 HARTING
	EIEY000034	HARTING	2184222	19.30.010.1541	CONNECTOR 19.30.010.1541 HARTING
155WD2	SHIELDED 4G2,5	DEFAULT	SHIELDED 4G2,5	SHIELDED 4G2,5	CABLE SHIELDED 4G2,5 DEFAULT
155XD2	EIEY000013	HARTING	7106834	09.33.006.2601	CONNECTOR 09.33.006.2601 HARTING
	EIEY000014	HARTING	7100555	09.30.006.1540	CONNECTOR 09.30.006.1540 HARTING
155XD2.1	EIEY000015	HARTING	09.33.006.2701	09.33.006.2701	CONNECTOR 09.33.006.2701 HARTING
	EIEY000014	HARTING	7100555	09.30.006.1540	CONNECTOR 09.30.006.1540 HARTING
160WD2	SHIELDED 4G4	DEFAULT	SHIELDED 4G4	SHIELDED 4G4	CABLE SHIELDED 4G4 DEFAULT
160XD2	EIEY000017	HARTING	7100571	09.31.006.2601	CONNECTOR 09.31.006.2601 HARTING
	EIEY000018	HARTING	2166176	19.30.016.1541	CONNECTOR 19.30.016.1541 HARTING
160XD2.1	EIEY000019	HARTING	7100605	09.31.006.2701	CONNECTOR 09.31.006.2701 HARTING
	EIEY000018	HARTING	2166176	19.30.016.1541	CONNECTOR 19.30.016.1541 HARTING
200WD2	UNSHIELDED 25G1	DEFAULT	UNSHIELDED 25G1	UNSHIELDED 25G1	CABLE UNSHIELDED 25G1 DEFAULT
200XD2	EIEY000005	HARTING	7106982	09.33.024.2601	CONNECTOR 09.33.024.2601 HARTING
	EIEY000035	HARTING	2184223	19.30.024.1541	CONNECTOR 19.30.024.1541 HARTING
200XD2.1	EIEY000007	HARTING	09.33.024.2701	09.33.024.2701	CONNECTOR 09.33.024.2701 HARTING
	EIEY000035	HARTING	2184223	19.30.024.1541	CONNECTOR 19.30.024.1541 HARTING



EU Declaration of Conformity

We,

Goudsmit Magnetic Systems B.V.
Petunialaan 19
5582 HA Waalre
The Netherlands

herewith declare, on our own responsibility, that the equipment:

Article description: **Control box ECS**
Product key: **RECCB-xxx-x-x-x-x**

Meets the requirements of the following European Directives:

1. Low Voltage Directive 2014/35/EU;
2. EMC Directive 2014/30/EU;
3. RoHS-2 Directive 2011/65/EU + Amendment RoHS-3 (EU) 2015/863

Waalre, The Netherlands, 29-9-2020

on behalf of Goudsmit:

Signature manufacturer:



Alwin de Bruine,
Compliance Engineer

EU Declaration of Conformity

We,

Goudsmit Magnetic Systems B.V.
Petunialaan 19
5582 HA Waalre
The Netherlands

herewith declare, on our own responsibility, that the equipment:

Article description: **Cable Set ECS**
Article number(s): **E00004848**

Meets the requirements of the following European Directive(s):

1. LVD Directive 2014/35/EU
2. RoHS-2 Directive 2011/65/EU + Amendment RoHS-3 (EU) 2015/863

Waalre, The Netherlands, 21-1-2021

on behalf of Goudsmit:

Signature manufacturer:



Alwin de Bruine,
Compliance Engineer
