

**INNEHÅLLSFÖRTECKNING****BESTÄLLNINGSSANVISNING  
TÄTNINGAR TILL HYDR. KOPPLINGAR  
OCH SLANGAR****1. RIVARENHET**

|        |   |       |
|--------|---|-------|
| 918633 | Montering av lucka.....                   | A100  |
| 200029 | Hydraulcylinder.....                      | A110  |
| 929915 | Luckans utrustning.....                   | A200  |
| 929916 | Svetsning av slitplatta.....              | A210  |
| 924772 | Hydraulcylinder.....                      | A220  |
| 918661 | Montering av motskär.....                 | A300  |
| 929994 | Luckans placering i ramen.....            | A400  |
| 918628 | Montering av rotor.....                   | A500  |
| 918608 | Rotor med utrustning.....                 | A600  |
| 918629 | Vagga, monterad.....                      | A610  |
| 920434 | Montering av rotorskär.....               | A700  |
| 924102 | Montering av hydraulmotorer....           | A800  |
| 919642 | Montering av tryckackumulator.            | A900  |
| 919887 | Montering av skyddsutrustning.            | A1000 |
| 929237 | Växellådans kylkrets.....                 | A1100 |
| 922347 | Behållare för växellådsolja.....          | A1110 |
| 200901 | Tryckfilter.....                          | A1111 |
| 922578 | Kylare för växellådsolja.....             | A1200 |
| 918059 | Kylare.....                               | A1210 |
| 200174 | Kylcell.....                              | A1211 |
| 922626 | Slangar för luckans<br>drifhydraulik..... | A1300 |
| 929130 | Slangar för drifhydraulik, rotor.         | A1400 |
| 929126 | Ventilenhet.....                          | A1410 |
| 929048 | Tryckbegränsningsventil.....              | A1420 |
| 929047 | Matnings- och spolningskrets...           | A1500 |
| 925165 | Arbetsljus.....                           | A1600 |

**2. LARVUNDERREDE**

|        |                               |      |
|--------|-------------------------------|------|
| 920367 | Montering av plattformar..... | B100 |
| 925250 | Verktygslåda.....             | B200 |
| 926820 | Glidskena.....                | B300 |
| 928774 | Stöd, vänster.....            | B310 |
| 928819 | Stöd, höger.....              | B320 |

**3. POWERPACK**

|        |                          |      |
|--------|--------------------------|------|
| 922530 | Montering av motor.....  | C100 |
| 926141 | Motorns utrustning.....  | C200 |
| 202071 | Fläkt.....               | C210 |
| 201992 | Dieselmotor.....         | C300 |
| 922532 | Montering av kylare..... | C400 |
| 926300 | Kombinationskylare.....  | C500 |
| 926425 | Kombinationskylare.....  | C510 |

**CONTENTS****ORDERING OF SPARE PARTS  
SEALS OF HYDR. FITTINGS/HOSES****1. SHREDDER UNIT**

|        |                                   |       |
|--------|-----------------------------------|-------|
| 918633 | Counter wall assembly.....        | A100  |
| 200029 | Hydraulic cylinder.....           | A110  |
| 929915 | Hatch.....                        | A200  |
| 929916 | Wear plates welding.....          | A210  |
| 924772 | Hydraulic cylinder.....           | A220  |
| 918661 | Counter knives assembly.....      | A300  |
| 929994 | Counter wall positioning.....     | A400  |
| 918628 | Rotor assembly.....               | A500  |
| 918608 | Rotor equipment.....              | A600  |
| 918629 | Final drive carrier.....          | A610  |
| 920434 | Rotor knives assembly.....        | A700  |
| 924102 | Hydraulic motor assembly.....     | A800  |
| 919642 | Pressure accumulator assembly     | A900  |
| 919887 | Protection covers.....            | A1000 |
| 929237 | Transmission oil cooling circuit. | A1100 |
| 922347 | Transmission oil tank.....        | A1110 |
| 200901 | Filter.....                       | A1111 |
| 922578 | Transmission oil cooler.....      | A1200 |
| 918059 | Transmission oil cooler.....      | A1210 |
| 200174 | Radiator core.....                | A1211 |
| 922626 | Counter wall hydraulic hoses....  | A1300 |
| 929130 | Drive hydraulics hoses, rotor.... | A1400 |
| 929126 | Valve unit.....                   | A1410 |
| 929048 | Pressure relief valve.....        | A1420 |
| 929047 | Charge- and flushing hydraulics   | A1500 |
| 925165 | Work light.....                   | A1600 |

**2. TRACK PLATFORM**

|        |                        |      |
|--------|------------------------|------|
| 920367 | Service platforms..... | B100 |
| 925250 | Tool box assembly..... | B200 |
| 926820 | Slide rail.....        | B300 |
| 928774 | Support, left.....     | B310 |
| 928819 | Support, right.....    | B320 |

**3. POWERPACK**

|        |                       |      |
|--------|-----------------------|------|
| 922530 | Engine mounting.....  | C100 |
| 926141 | Engine equipment..... | C200 |
| 202071 | Fan.....              | C210 |
| 201992 | Diesel engine.....    | C300 |
| 922532 | Cooler assembly.....  | C400 |
| 926300 | Cooler.....           | C500 |
| 926425 | Cooler.....           | C510 |

|        |                                      |       |        |                                  |       |
|--------|--------------------------------------|-------|--------|----------------------------------|-------|
| 926697 | Vindtunnel.....                      | C520  | 926697 | Fan housing.....                 | C520  |
| 926149 | Vattenkylningssystem.....            | C600  | 926149 | Water-cooling system.....        | C600  |
| 925151 | Expansionskärl.....                  | C610  | 925151 | Expansion tank.....              | C610  |
| 926234 | Mellankylsystem.....                 | C700  | 926234 | Intercooler system.....          | C700  |
| 917859 | Tömning av motorolja.....            | C800  | 917859 | Engine oil drain line.....       | C800  |
| 926959 | Montering av luftfilter.....         | C900  | 926959 | Air filter assembly.....         | C900  |
| 201990 | Luftfilter.....                      | C910  | 201990 | Air filter.....                  | C910  |
| 926933 | Montering av bränslefilter.....      | C1000 | 926933 | Fuel filter assembly.....        | C1000 |
| 202148 | Bränslefilter.....                   | C1010 | 202148 | Fuel filter.....                 | C1010 |
| 917839 | Montering av pumpar.....             | C1100 | 917839 | Hydraulic pumps assembly.....    | C1100 |
| 200473 | Koppling.....                        | C1110 | 200473 | Coupling.....                    | C1110 |
| 929178 | Hydraulisk trippelpump.....          | C1200 | 929178 | Hydraulic triple pump.....       | C1200 |
| 202696 | Hydraulisk trippelpump.....          | C1210 | 202696 | Hydraulic triple pump.....       | C1210 |
| 929196 | Matnings- och sugkrets.....          | C1300 | 929196 | Charge- and suction hydraulics.  | C1300 |
| 922339 | Matningstrycksfilter.....            | C1310 | 922339 | Charge pressure filter.....      | C1310 |
| 200899 | Filter.....                          | C1311 | 200899 | Charge pressure filter.....      | C1311 |
| 921321 | Montering av hydraultank.....        | C1400 | 921321 | Hydraulic oil tank assembly..... | C1400 |
| 929180 | Hydrauloljetank.....                 | C1500 | 929180 | Hydraulic oil tank.....          | C1500 |
| 920977 | Returfilter.....                     | C1510 | 920977 | Return filter.....               | C1510 |
| 200898 | Returfilter.....                     | C1511 | 200898 | Return filter.....               | C1511 |
| 922605 | Kylarkrets.....                      | C1600 | 922605 | Cooling circuit.....             | C1600 |
| 920799 | Termostatventil.....                 | C1700 | 920799 | Thermostat block assembly.....   | C1700 |
| 929243 | Tryck- och returkrets.....           | C1800 | 929243 | Pressure and return circuit..... | C1800 |
| 922466 | Riktningventil.....                  | C1900 | 922466 | Directional control valve.....   | C1900 |
| 921424 | Hydraulik påfyllningskrets.....      | C2000 | 921424 | Hydraulics filling circuit.....  | C2000 |
| 200903 | Påfyllningsfilter stomme + filter.   | C2010 | 200903 | Filter frame and filter.....     | C2010 |
| 922247 | Pumpstöd.....                        | C2100 | 922247 | Pump support.....                | C2100 |
| 922248 | Flexdel.....                         | C2110 | 922248 | Flexible part.....               | C2110 |
| 929190 | Montering av tryckackumulatorer..... | C2200 | 929190 | Pressure accumulator assembly    | C2200 |
| 922765 | Fläkthydraulik.....                  | C2300 | 922765 | Fan hydraulics.....              | C2300 |
| 927946 | Montering av tryckackumulator.       | C2400 | 927946 | Pressure accumulator assembly    | C2400 |
| 926974 | Montering av motorskydd.....         | C2500 | 926974 | Engine cover assembly.....       | C2500 |
| 926517 | Motorskydd, vänster.....             | C2600 | 926517 | Engine cover, left.....          | C2600 |
| 926442 | Motorskydd, höger.....               | C2700 | 926442 | Engine cover, right.....         | C2700 |
| 927714 | Montering av framdörr.....           | C2800 | 927714 | Front door assembly.....         | C2800 |
| 921067 | Framdörr.....                        | C2810 | 921067 | Front door.....                  | C2810 |
| 919608 | Montering av stormhakar.....         | C2900 | 919608 | Safety catch assembly.....       | C2900 |
| 919728 | Montering av skyddstak.....          | C3000 | 919728 | Protective shelter assembly..... | C3000 |
| 921351 | Montering av stödplatta.....         | C3100 | 921351 | Assembly of supporting plate...  | C3100 |
| 926568 | Stötta.....                          | C3200 | 926568 | Bracket.....                     | C3200 |
| 926690 | Montering av sidoskydd.....          | C3300 | 926690 | Side guard assembly.....         | C3300 |
| 926516 | Skyddskåpa.....                      | C3310 | 926516 | Protective case.....             | C3310 |
| 926822 | Värmskydd.....                       | C3400 | 926822 | Heat shield.....                 | C3400 |
| 926875 | Fläktskydd.....                      | C3500 | 926875 | Fan protection cover.....        | C3500 |

|        |   |       |        |  |       |
|--------|---|-------|--------|--|-------|
| 929887 | Montering av värmeisolering....                         | C3600 | 929887 | Thermal insulation assembly....                    | C3600 |
| 921322 | Montering av elskåp.....                                | C3700 | 921322 | Electrical box assembly.....                       | C3700 |
| 926432 | Elskåp.....   | C3800 | 926432 | Electrical box.....                                | C3800 |
| 922506 | Ljudsignal.....   | C3900 | 922506 | Horn.....  | C3900 |
| 927008 | Nödstoppskontakt.....                                   | C4000 | 927008 | Emergency stop switch.....                         | C4000 |
| 926257 | Montering av batterier.....                             | C4100 | 926257 | Batteries.....                                     | C4100 |
| 922162 | Larmljus.....   | C4200 | 922162 | Beacon.....  | C4200 |
| 923569 | Temperaturgivare.....                                   | C4300 | 923569 | Temperature sensor.....                            | C4300 |
| 924313 | Service ljus.....                                       | C4400 | 924313 | Service light.....                                 | C4400 |
| 927005 | Signallampa.....  | C4500 | 927005 | Signal light.....                                  | C4500 |
| 926795 | Motorns elutrustning.....                               | C4600 | 926795 | Engine electrical equipments....                   | C4600 |
| 927163 | Säkringsdosa.....                                       | C4610 | 927163 | Fuse box.....                                      | C4610 |
| 73G085 | Huvudströmbrytare.....                                  | C4620 | 73G085 | Main switch.....                                   | C4620 |
| 922573 | Powerpack underrede.....                                | C4700 | 922573 | Powerpack frame.....                               | C4700 |
| 926214 | Montering av<br>efterbehandlingsanordning.....          | C4800 | 926214 | Aftertreatment device assembly.                    | C4800 |
| 926788 | Efterbehandlingsanordning.....                          | C4900 | 926788 | Aftertreatment device.....                         | C4900 |
| 926854 | Urealösningspump.....                                   | C5000 | 926854 | Diesel exhaust fluid pump.....                     | C5000 |
| 926889 | Urealösningstank.....                                   | C5100 | 926889 | Diesel exhaust fluid tank.....                     | C5100 |
| 927035 | Slangar till<br>efterbehandlingssystem.....             | C5200 | 927035 | Aftertreatment system hoses....                    | C5200 |
| 927042 | Vattenkylningssystem i<br>efterbehandlingssystemet..... | C5300 | 927042 | Aftertreatment system water<br>cooling system..... | C5300 |
| 924031 | Slangar, utrustningssets.....                           | C5400 | 924031 | Hoses, set.....                                    | C5400 |

#### 4. BANDHYDRAULIK

|        |                             |      |
|--------|-----------------------------|------|
| 923173 | Växelventil.....            | D100 |
| 923179 | Ventilenhet.....            | D110 |
| 924048 | Styrkrets.....              | D200 |
| 924057 | Slangar i bandaggregat..... | D300 |

#### 5. BRÄNSLESYSTEM

|        |                                 |      |
|--------|---------------------------------|------|
| 926612 | Bränsletank.....                | E100 |
| 922577 | Montering av bränslekylare..... | E200 |
| 918309 | Bränslekylare.....              | E210 |
| 926930 | Montering av bränsletank.....   | E300 |
| 927018 | Bränsleslangar montering.....   | E400 |

#### 6. ELUTRUSTNING

|        |                                 |      |
|--------|---------------------------------|------|
| 922282 | Montering av styrcentral.....   | F100 |
| 922283 | Styrcentral.....                | F110 |
| 917806 | Lock.....                       | F111 |
| 927459 | Montering av fjärrkontroll..... | F200 |
| 202751 | Radiostyrningssystem.....       | F210 |
| 202754 | Radiostyrningssystem.....       | F220 |

#### 4. TRACK HYDRAULICS

|        |                      |      |
|--------|----------------------|------|
| 923173 | Change valve.....    | D100 |
| 923179 | Valve unit.....      | D110 |
| 924048 | Control circuit..... | D200 |
| 924057 | Track hoses.....     | D300 |

#### 5. FUEL SYSTEM

|        |                           |      |
|--------|---------------------------|------|
| 926612 | Fuel tank.....            | E100 |
| 922577 | Fuel cooler assembly..... | E200 |
| 918309 | Fuel cooler.....          | E210 |
| 926930 | Fuel tank assembly.....   | E300 |
| 927018 | Fuel hoses assembly.....  | E400 |

#### 6. ELECTRICS AND CONTROLS

|        |                              |      |
|--------|------------------------------|------|
| 922282 | Control panel assembly.....  | F100 |
| 922283 | Control panel.....           | F110 |
| 917806 | Control panel hatch.....     | F111 |
| 927459 | Remote control assembly..... | F200 |
| 202751 | Radio control system.....    | F210 |
| 202754 | Radio control system.....    | F220 |

202755 Radiostyrningssystem..... F230  
 J00024 Kablage..... F300

## 7. TRATT

917870 Montering av tratt..... G100  
 923674 Tratt..... G200

## 8. TRANSPORTÖRER

920143 Montering av transportör..... H100  
 919389 Transportör..... H110  
 928966 Överdel..... H111  
 919816 Mittram..... H112  
 928965 Nederdel..... H114  
 200028 Hydraulcylinder..... H120  
 920298 Ledskydd, vänster..... H130  
 920301 Ledskydd, höger..... H140  
 925524 Ledskydd, vänster..... H150  
 925539 Ledskydd, höger..... H160  
 918378 Stödkedja..... H170  
 918727 Montering av svängram..... H200  
 200028 Hydraulcylinder..... H120  
 922774 Slangar till transportör..... H300

## 9. DEKALER OCH SKYLTTAR

927036 Modellmärknings..... I100  
 927037 Antigliddekaler..... I200  
 922781 Anvisnings- och  
 varningsmarkeringar..... I300  
 927039 Anvisningsdekal..... I400  
 927164 Anvisningsdekal:..... I500  
 927173 Anvisningsdekal..... I600

## 10. TILLBEHÖR

921517 Skärsats till rotor..... J100  
 921518 Motskärssats..... J100  
 921519 Halvskärssats..... J100  
 921520 Tryckplatssats..... J100  
 928941 Slitplattor till rotor..... J100  
 918705 Montering av sikt och siktbågar. J200  
 918503 Låsning av sikt i  
 transportställningen..... J200  
 918709 Sikt..... J200  
 918750 Montering av magnettransportör J300  
 917856 Montering av lossningsränna.... J300  
 918747 Magnettransportör..... J300

202755 Radio control system..... F230  
 J00024 Wiring harnesses..... F300

## 7. FEED FUNNEL

917870 Feed funnel assembly..... G100  
 923674 Feed funnel..... G200

## 8. CONVEYORS

920143 Conveyor assembly..... H100  
 919389 Conveyor..... H110  
 928966 Upper frame..... H111  
 919816 Middle frame..... H112  
 928965 Lower frame..... H114  
 200028 Hydraulic cylinder..... H120  
 920298 Protective cover, left..... H130  
 920301 Protective cover, right..... H140  
 925524 Joint cover, left..... H150  
 925539 Joint cover, right..... H160  
 918378 Chain..... H170  
 918727 Swinging frame assembly..... H200  
 200028 Hydraulic cylinder..... H120  
 922774 Conveyor hoses..... H300

## 9. STICKERS AND PLATES

927036 Model markings..... I100  
 927037 Non-slip stickers..... I200  
 922781 Warning signs..... I300  
 927039 Sticker set..... I400  
 927164 Sticker..... I500  
 927173 Sticker..... I600

## 10. OPTIONAL EQUIPMENT

921517 Rotor knives set..... J100  
 921518 Counter knives set..... J100  
 921519 Half knives set..... J100  
 921520 Rotor knife bracket -set..... J100  
 928941 Rotor wearing plates..... J100  
 918705 Sieve and sieve arch assembly.. J200  
 918503 Sieve locking (to transport  
 position)..... J200  
 918709 Sieve..... J200  
 918750 Magnet conveyor assembly..... J300  
 917856 Discharge launder..... J300  
 918747 Magnet conveyor..... J300



|        |  |       |        |  |       |
|--------|--|-------|--------|--|-------|
| 918431 | Slangföring i magnettransportör                            | J300  | 918431 | Magnet conveyor hoses.....                               | J300  |
| 927338 | Oljebeständigt transportband...                            | J400  | 927338 | Oil resistant conveyor belt.....                         | J400  |
| 927307 | Transportvåg.....  | J500  | 927307 | Conveyor scale.....                                      | J500  |
| 920716 | Våg.....   | J510  | 920716 | Balance.....   | J510  |
| 926958 | Bränslepump.....   | J600  | 926958 | Fuel pump.....   | J600  |
| 922627 | Motor- och hydraulvärmare, el...                           | J700  | 922627 | Engine and hydraulic oil heater,<br>electrical.....      | J700  |
| 922711 | Hydrauloljvärmare, el.....                                 | J710  | 922711 | Heater for hydraulic oil,<br>electrical.....             | J710  |
| 927339 | Motor- och hydraulvärmare,<br>diesel.....                  | J800  | 927339 | Engine and hydraulic oil heater,<br>diesel.....          | J800  |
| 927588 | Tidtagare till förvärmare.....                             | J900  | 927588 | Preheater timer.....                                     | J900  |
| 924281 | Motor- och hydraulvärmare, el,<br>USA.....                 | J1000 | 924281 | Engine and hydraulic oil heater,<br>electrical, USA..... | J1000 |
| 924344 | Hydrauloljvärmare.....                                     | J1010 | 924344 | Heater for hydraulic oil.....                            | J1010 |
| 920383 | Montering av brandsläckare.....                            | J1100 | 920383 | Fire extinguisher assembly.....                          | J1100 |
| 920391 | Montering av<br>brandsläckningssystem.....                 | J1200 | 920391 | Fire extinguisher system<br>assembly.....                | J1200 |
| 927299 | Montering av dammbindnings-<br>och högtryckstvättsyst..... | J1300 | 927299 | Dustcontrol and pressure<br>washer system assembly.....  | J1300 |
| 927298 | Montering av<br>centralsmörjsystem.....                    | J1400 | 927298 | Central lubrication system<br>assembly.....              | J1400 |
| 927304 | Gummidämpare till larvband.....                            | J1500 | 927304 | Crawler track rubber bonded<br>shoes.....                | J1500 |
| 917364 | Akutväska.....   | J1600 | 917364 | First aid kit.....                                       | J1600 |
| 926792 | Underhållsladdare.....                                     | J1700 | 926792 | Trickle charger.....                                     | J1700 |
| 925046 | Montering av ljusstorn.....                                | J1800 | 925046 | Light mast assembly.....                                 | J1800 |
| 925027 | Ljusstorn.....   | J1810 | 925027 | Light mast.....  | J1810 |
| 929421 | Skydd, powerpack.....                                      | J1900 | 929421 | Cover, powerpack.....                                    | J1900 |



---

## ORDERING OF SPARE PARTS

When ordering the spare parts the following information must always be given:

1. Type and manufacturing number of the machine: \_\_\_\_\_
2. The part's name, number and the quantity required
3. The name of the ordering customer and the invoicing address
4. The exact address and method of dispatch

All correspondence and orders to addressed only to:

**Tana Oy**

**P.O. Box 160**

**FIN-40101 Jyväskylä**

**FINLAND**

**email: parts@tana.fi**

**Tel.+358 020 7290 240**

**Fax.+358 020 7290 261**

---

## BESTÄLLNINGSSANVISNING

Vid beställning av reservdelar bör du alltid ge följande information

1. Maskinens typ och tillverkningsnummer \_\_\_\_\_
2. Delens benämning, beställningsnummer och antal
3. Beställarens namn och fakturaadress
4. Exakt försändelseadress och försändelsesätt

Adressera alltid din beställning till vår närmaste representant eller direkt till vår adress:

**Tana Oy**

**PL 160**

**40101 Jyväskylä**

**FINLAND**

**email: parts@tana.fi**

**Tel.+358 020 7290 240**

**Fax.+358 020 7290 261**

---

# TANA



TÄTNINGAR TILL HYDRAULKOPPLINGAR OCH SLANGAR  
SEALS OF HYDRAULIC FITTINGS/ HOSES

| Kopplingens kod | Tätning nr *<br>O-ring avslutning | Dimension        | Tätning nr *<br>Standardgänga | Dimension        |
|-----------------|-----------------------------------|------------------|-------------------------------|------------------|
| Fitting code    | Seal No *<br>O-Ring termination   | Size             | Seal No *<br>Male thread      | Size             |
| 57J800          |                                   |                  | 2-222-N552-9                  | 37.69x3.53 90 Sh |
| 57J810          |                                   |                  | 2-222-N552-9                  | 37.69x3.53 90 Sh |
| 57O253TRL       | 2-018-N552-9                      | 18.77x1.78 90 Sh |                               |                  |
| 57OBI062        | 2-011-N552-9                      | 7.65x1.78 90Sh   | ED14X1.5R1/4                  |                  |
| 57OBI063        | 2-011-N552-9                      | 7.65x1.78 90Sh   | EDR3/8                        |                  |
| 57OBI064        | 2-011-N552-9                      | 7.65x1.78 90Sh   | EDR1/2                        |                  |
| 57OBI083        | 2-012-N552-9                      | 9.25x1.78 90Sh   | EDR3/8                        |                  |
| 57OBI085        | 2-012-N552-9                      | 9.25x1.78 90Sh   | ED26X1.5/27X2/R3/4            |                  |
| 57OBI102        | 2-012-N552-9                      | 9.25x1.78 90Sh   | ED14X1.5R1/4                  |                  |
| 57OBI104        | 2-012-N552-9                      | 9.25x1.78 90Sh   | EDR1/2                        |                  |
| 57OBI121        | 2-014-N552-9                      | 12.42x1.78 90Sh  | ED14X1.5R1/4                  |                  |
| 57OBI122        | 2-014-N552-9                      | 12.42x1.78 90Sh  | EDR3/8                        |                  |
| 57OBI123        | 2-014-N552-9                      | 12.42x1.78 90Sh  | EDR1/2                        |                  |
| 57OBI144        | 2-016-N552-9                      | 15.60x1.78 90 Sh | ED33X2/R1                     |                  |
| 57OBI181V       | 2-018-N552-9                      | 18.77x1.78 90 Sh | ED26X1.5/27X2/R3/4            |                  |
| 57OBI182        | 2-018-N552-9                      | 18.77x1.78 90 Sh | EDR1/2                        |                  |
| 57OBI183        | 2-018-N552-9                      | 18.77x1.78 90 Sh | ED33X2/R1                     |                  |
| 57OBI184        | 2-018-N552-9                      | 18.77x1.78 90 Sh | ED42X2/R1.1/4                 |                  |
| 57OBI201        | 2-018-N552-9                      | 18.77x1.78 90 Sh | ED26X1.5/27X2/R3/4            |                  |
| 57OBI202        | 2-018-N552-9                      | 18.77x1.78 90 Sh | ED26X1.5/27X2/R3/4            |                  |
| 57OBI221        | 2-021-N552-9                      | 23.52x1.78 90 Sh | ED33X2/R1                     |                  |
| 57OBI224        | 2-021-N552-9                      | 23.52x1.78 90 Sh | ED48X2/R1.1/2                 |                  |
| 57OBI252        | 2-021-N552-9                      | 23.52x1.78 90 Sh | ED26X1.5/27X2/R3/4            |                  |
| 57OBI282        | 2-025-N552-9                      | 29.87x1.78 90 Sh | ED33X2/R1                     |                  |
| 57OBI351        | 2-029-N552-9                      | 37.82x1.78 90 Sh | ED48X2/R1.1/2                 |                  |
| 57OBL062        | 2-011-N552-9                      | 7.65x1.78 90Sh   | 2-111-N552-9                  | 10,77x2,62 90 Sh |
| 57OBL123        | 2-014-N552-9                      | 12.42x1.78 90Sh  | 5-256-N552-9                  | 17,96x2,62 90 Sh |
| 57OBL144        | 2-016-N552-9                      | 15.60x1.78 90 Sh | 2-217-N552-9                  | 29,74x3,53 90 Sh |
| 57OBL161        | 2-016-N552-9                      | 15.60x1.78 90 Sh | 5-256-N552-9                  | 17,96x2,62 90 Sh |
| 57OBL181        | 2-018-N552-9                      | 18.77x1.78 90 Sh | 2-119-N552-9                  | 23,47x2,62 90 Sh |
| 57OBL182        | 2-018-N552-9                      | 18.77x1.78 90 Sh | 5-256-N552-9                  | 17,96x2,62 90 Sh |
| 57OBL221        | 2-021-N552-9                      | 23.52x1.78 90 Sh | 2-217-N552-9                  | 29,74x3,53 90 Sh |
| 57OBL252        | 2-021-N552-9                      | 23.52x1.78 90 Sh | 2-119-N552-9                  | 23,47x2,62 90 Sh |
| 57OBV141        | 2-016-N552-9                      | 15.60x1.78 90 Sh | 5-256-N552-9                  | 17,96x2,62 90 Sh |
| 57ODI081        | 2-012-N552-9                      | 9.25x1.78 90Sh   | ED14X1.5R1/4                  |                  |
| 57ODI180        | 2-018-N552-9                      | 18.77x1.78 90 Sh | ED26X1.5/27X2/R3/4            |                  |
| 57ODI281        | 2-025-N552-9                      | 29.87x1.78 90 Sh | ED42X2/R1.1/4                 |                  |
| 57ODI351        | 2-029-N552-9                      | 37.82x1.78 90 Sh | ED48X2/R1.1/2                 |                  |
| 57ODL061        | 2-011-N552-9                      | 7.65x1.78 90Sh   | 6-346-N552-9                  | 9,3x2,2 90 Sh    |
| 57OII061        | 2-011-N552-9                      | 7.65x1.78 90Sh   | ED12X1.5                      |                  |
| 57OII221        | 2-021-N552-9                      | 23.52x1.78 90 Sh | ED33X2/R1                     |                  |
| 57OII222        | 2-021-N552-9                      | 23.52x1.78 90 Sh | 6-352-N552-9                  | 29,6x2,9 90 Sh   |
| 57OIL141        | 2-016-N552-9                      | 15.60x1.78 90 Sh | 6-349-N552-9                  | 15,3x2,2 90 Sh   |
| 57OIL182        | 2-018-N552-9                      | 18.77x1.78 90 Sh | 6-351-N552-9                  | 23,6x2,9 90 Sh   |
| 57OIL221        | 2-021-N552-9                      | 23.52x1.78 90 Sh | 6-352-N552-9                  | 29,6x2,9 90 Sh   |
| 57OIL222        | 2-021-N552-9                      | 23.52x1.78 90 Sh | 6-352-N552-9                  | 29,6x2,9 90 Sh   |
| 57OIL223        | 2-018-N552-9                      | 18.77x1.78 90 Sh | 6-351-N552-9                  | 23,6x2,9 90 Sh   |
| 57ONL201        | 2-018-N552-9                      | 18.77x1.78 90 Sh |                               |                  |
| 57ONL221        | 2-021-N552-9                      | 23.52x1.78 90 Sh |                               |                  |
| 57OOI121B       | 2-014-N552-9                      | 12.42x1.78 90Sh  |                               |                  |
| 57OOI181        | 2-018-N552-9                      | 18.77x1.78 90 Sh |                               |                  |

\*Parker-kod  
\*Parker code

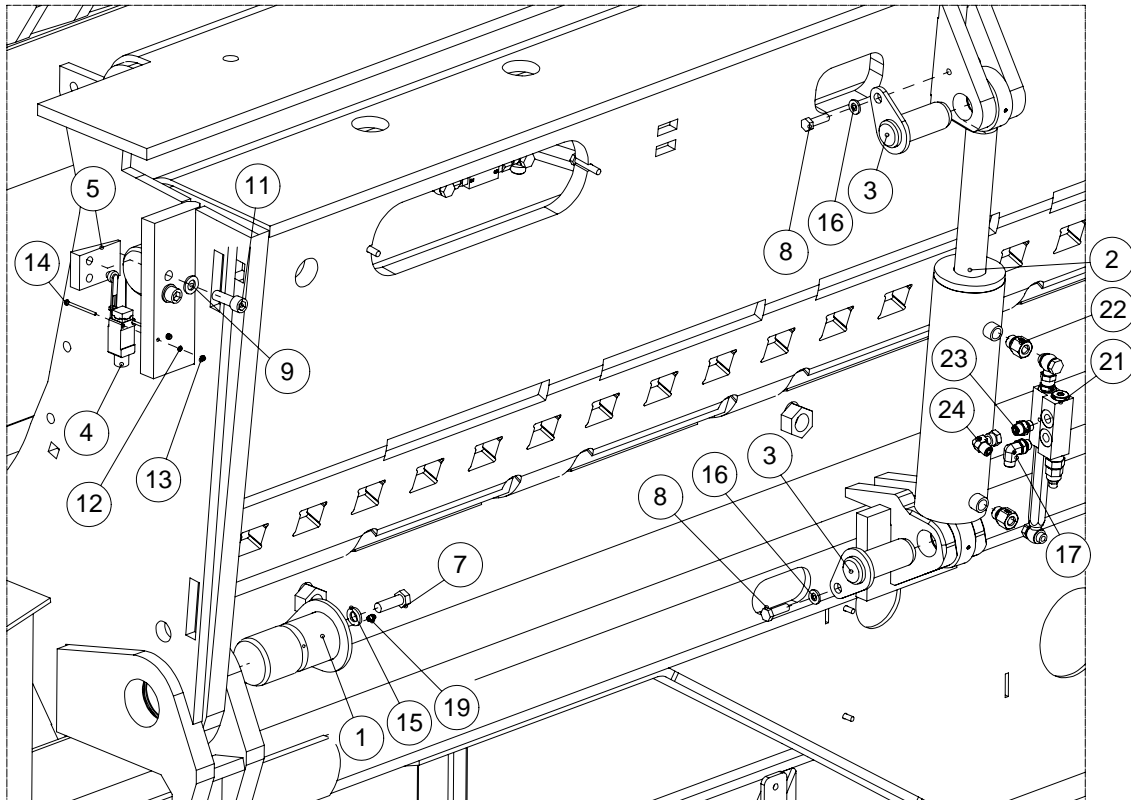


| Kopplingens kod | Tätning nr *<br>O-ring avslutning | Dimension        | Tätning nr *<br>Standardgånga | Dimension        | *Parker-kod<br>*Parker code |
|-----------------|-----------------------------------|------------------|-------------------------------|------------------|-----------------------------|
| Fitting code    | Seal No *<br>O-Ring termination   | Size             | Seal No *<br>Male thread      | Size             |                             |
| 57OIL221        | 2-021-N552-9                      | 23.52x1.78 90 Sh | 6-352-N552-9                  | 29,6x2,9 90 Sh   |                             |
| 57OIL222        | 2-021-N552-9                      | 23.52x1.78 90 Sh | 6-352-N552-9                  | 29,6x2,9 90 Sh   |                             |
| 57OIL223        | 2-018-N552-9                      | 18.77x1.78 90 Sh | 6-351-N552-9                  | 23,6x2,9 90 Sh   |                             |
| 57ONL201        | 2-018-N552-9                      | 18.77x1.78 90 Sh |                               |                  |                             |
| 57ONL221        | 2-021-N552-9                      | 23.52x1.78 90 Sh |                               |                  |                             |
| 57OOI121B       | 2-014-N552-9                      | 12.42x1.78 90Sh  |                               |                  |                             |
| 57OOI181        | 2-018-N552-9                      | 18.77x1.78 90 Sh |                               |                  |                             |
| 57OOI181B       | 2-018-N552-9                      | 18.77x1.78 90 Sh |                               |                  |                             |
| 57OOI181B       | 2-018-N552-9                      | 18.77x1.78 90 Sh |                               |                  |                             |
| 57OOL181V       | 2-018-N552-9                      | 18.77x1.78 90 Sh |                               |                  |                             |
| 57OOT061        | 2-011-N552-9                      | 7.65x1.78 90Sh   |                               |                  |                             |
| 57OOT081        | 2-012-N552-9                      | 9.25x1.78 90Sh   |                               |                  |                             |
| 57OOT101W       | 2-012-N552-9                      | 9.25x1.78 90Sh   |                               |                  |                             |
| 57OOT102W       | 2-011-N552-9                      | 7.65x1.78 90Sh   |                               |                  |                             |
| 57OOT103W       | 2-018-N552-9                      | 18.77x1.78 90 Sh |                               |                  |                             |
| 57OOT181        | 2-018-N552-9                      | 18.77x1.78 90 Sh |                               |                  |                             |
| 57OOT221        | 2-021-N552-9                      | 23.52x1.78 90 Sh |                               |                  |                             |
| 57OOX061        | 2-011-N552-9                      | 7.65x1.78 90Sh   |                               |                  |                             |
| 57OOX081        | 2-012-N552-9                      | 9.25x1.78 90Sh   |                               |                  |                             |
| 57OUI061        | 2-011-N552-9                      | 7.65x1.78 90Sh   | 3-904-N552-9                  |                  |                             |
| 57OUI183        | 2-018-N552-9                      | 18.77x1.78 90 Sh | 3-910-N552-9                  |                  |                             |
| 57OUI190        | 2-018-N552-9                      | 18.77x1.78 90 Sh | 3-912-N552-9                  |                  |                             |
| 57S108          |                                   |                  | EDR1/2                        |                  |                             |
| 57S530          |                                   |                  | ED18X1.5                      |                  |                             |
| 57U920          |                                   |                  | 6-347-N552-9                  | 11,3x2,2 90 Sh   |                             |
| 57U921          |                                   |                  | 6-346-N552-9                  | 9,3x2,2 90 Sh    |                             |
| 57U925          |                                   |                  | ED14X1.5R1/4                  |                  |                             |
| 57V191          |                                   |                  | ED14X1.5R1/4                  |                  |                             |
| 57V193          |                                   |                  | EDR1/2                        |                  |                             |
| 57V199          |                                   |                  | ED14X1.5R1/4                  |                  |                             |
| 57V201          |                                   |                  | EDR1/2                        |                  |                             |
| 57V208          |                                   |                  | EDR1/2                        |                  |                             |
| 57V213          |                                   |                  | EDR1/2                        |                  |                             |
| 57V214          |                                   |                  | ED26X1.5/27X2/R3/4            |                  |                             |
| 57V216          |                                   |                  | ED26X1.5/27X2/R3/4            |                  |                             |
| 57V217          |                                   |                  | ED33X2/R1                     |                  |                             |
| 57V218          |                                   |                  | ED42X2/R1.1/4                 |                  |                             |
| 57V221          |                                   |                  | ED42X2/R1.1/4                 |                  |                             |
| 57V223          |                                   |                  | ED48X2/R1.1/2                 |                  |                             |
| 57V260          |                                   |                  | 3-912-N552-9                  |                  |                             |
| 57V279          |                                   |                  | ED18X1.5                      |                  |                             |
| 57V282          |                                   |                  | ED22X1.5                      |                  |                             |
| 57V283          |                                   |                  | ED22X1.5                      |                  |                             |
| 57V298          |                                   |                  | 6-346-N552-9                  | 9,3x2,2 90 Sh    |                             |
| 57V315          |                                   |                  | 6-351-N552-9                  | 23,6x2,9 90 Sh   |                             |
| 57V320          |                                   |                  | ED33X2/R1                     |                  |                             |
| 57V345          |                                   |                  | ED12X1.5                      |                  |                             |
| 57V360          |                                   |                  | ED48X2/R1.1/2                 |                  |                             |
| 57V385          |                                   |                  | 5-256-N552-9                  | 17,96x2,62 90 Sh |                             |
| 57V387          |                                   |                  | 2-119-N552-9                  | 23,47x2,62 90 Sh |                             |
| 57V388          |                                   |                  | 5-256-N552-9                  | 17,96x2,62 90 Sh |                             |
| 57V390          |                                   |                  | 2-119-N552-9                  | 23,47x2,62 90 Sh |                             |
| 57V391          |                                   |                  | 2-217-N552-9                  | 29,74x3,53 90 Sh |                             |
| 57V394          |                                   |                  | 2-217-N552-9                  | 29,74x3,53 90 Sh |                             |
| 57V395          |                                   |                  | 2-222-N552-9                  | 37,69x3,53 90 Sh |                             |

| Kopplingens kod | Tätning nr *<br>O-ring avslutning | Dimension | Tätning nr *<br>Standardgंगा | Dimension        |
|-----------------|-----------------------------------|-----------|------------------------------|------------------|
| Fitting code    | Seal No *<br>O-Ring termination   | Size      | Seal No *<br>Male thread     | Size             |
| 57V427          |                                   |           | 6-350-N552-9                 | 19,3x2,2 90 Sh   |
| 57V481          |                                   |           | 2-111-N552-9                 | 10,77x2,62 90 Sh |
| 57V588          |                                   |           | 2-119-N552-9                 | 23,47x2,62 90 Sh |
| 57V636          |                                   |           | 5-256-N552-9                 | 17,96x2,62 90 Sh |
| 57V921          |                                   |           | ED42X2/R1.1/4                |                  |

\*Parker-kod  
\*Parker code

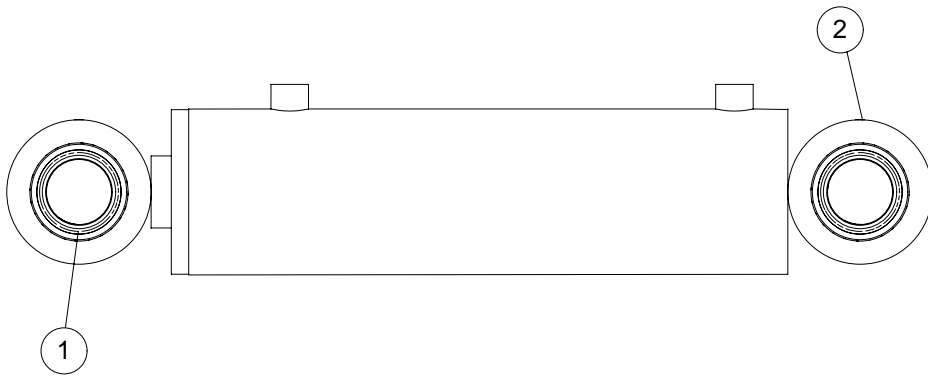
| Slangens kod | O-Ring *     | Dimension       | O-Ring *     | Dimension       |
|--------------|--------------|-----------------|--------------|-----------------|
| Hose code    | O-Ring*      | Size            | O-Ring*      | Size            |
| 911138       | 2-222-N552-9 | 37.69x3.53 90Sh | 2-222-N552-9 | 37.69x3.53 90Sh |
| 911140       | 2-222-N552-9 | 37.69x3.53 90Sh | 2-222-N552-9 | 37.69x3.53 90Sh |
| 911143       | 2-222-N552-9 | 37.69x3.53 90Sh | 2-222-N552-9 | 37.69x3.53 90Sh |
| 911144       | 2-222-N552-9 | 37.69x3.53 90Sh | 2-222-N552-9 | 37.69x3.53 90Sh |
| 912057       | C9RG-38      | 33.00x2.50 90Sh | C9RG-38      | 33.00x2.50 90Sh |
| 912058       | C9RG-38      | 33.00x2.50 90Sh | C9RG-38      | 33.00x2.50 90Sh |
| 912059       | C9RG-38      | 33.00x2.50 90Sh | 2-222-N552-9 | 37.69x3.53 90Sh |
| 912060       | C9RG-38      | 33.00x2.50 90Sh | 2-222-N552-9 | 37.69x3.53 90Sh |
| 912082       | C9RG-38      | 33.00x2.50 90Sh | C9RG-38      | 33.00x2.50 90Sh |
| 912083       | C9RG-38      | 33.00x2.50 90Sh | 2-222-N552-9 | 37.69x3.53 90Sh |



918633bB

**SN:**  
**Former:**  
**NOTE:****Montering av lucka**  
**Counter wall assembly**  
**918633b**

| No | Part No. | Qty | Delens benämning     | Size                 | Part name          |
|----|----------|-----|----------------------|----------------------|--------------------|
| 1  | 915490   | 2   | Gångjärnstapp        |                      | Pin                |
| 2  | 200029   | 1   | Hydraulcylinder      |                      | Hydraulic cylinder |
| 3  | 913930   | 2   | Cylindertapp         |                      | Pin                |
| 4  | 73B110   | 2   | Gränslägesbrytare    |                      | Switch             |
| 5  | 914692   | 2   | Låstunga             |                      | Key                |
| 7  | 40DN89   | 2   | Sexkantskruv         | M16x50 10.9 DIN933   | Hex bolt           |
| 8  | 41BM51   | 2   | Sexkantskruv         | M12x40 8.8 DIN933 Zn | Hex bolt           |
| 9  | 46ADG8   | 4   | Bricka               | M16 DIN125 Zn        | Washer             |
| 11 | 40FN88   | 4   | Insexskruv           | M16x45 8.8 DIN912    | Allen screw        |
| 12 | 46ADC3   | 4   | Bricka               | M4 DIN 125 Zn        | Washer             |
| 13 | 45FI04   | 4   | Låsmutter, Nyloc     | M4 8 DIN985 Zn       | Lock nut           |
| 14 | 41BF69   | 4   | Sexkantskruv         | M4x65 8.8 DIN933 Zn  | Hex bolt           |
| 15 | 46RBG8   | 2   | HV-bricka            | D17/D30 DIN 6916     | HV-washer          |
| 16 | 46RBG6   | 2   | HV-bricka            | D13/D24 DIN6916      | HV-washer          |
| 17 | 200179   | 1   | Vinkelkoppling       |                      | Elbow fitting      |
| 19 | 59D540   | 2   | Smörjnippel          |                      | Grease nipple      |
| 21 | 201463   | 1   | Lastsänkkningsventil |                      | Load control valve |
| 22 | 200745   | 2   | Förminskningssockel  |                      | Reducer            |
| 23 | 57OBI083 | 1   | Rak koppling         |                      | Fitting            |
| 24 | 201085   | 1   | Vinkelskarv          |                      | Elbow fitting      |



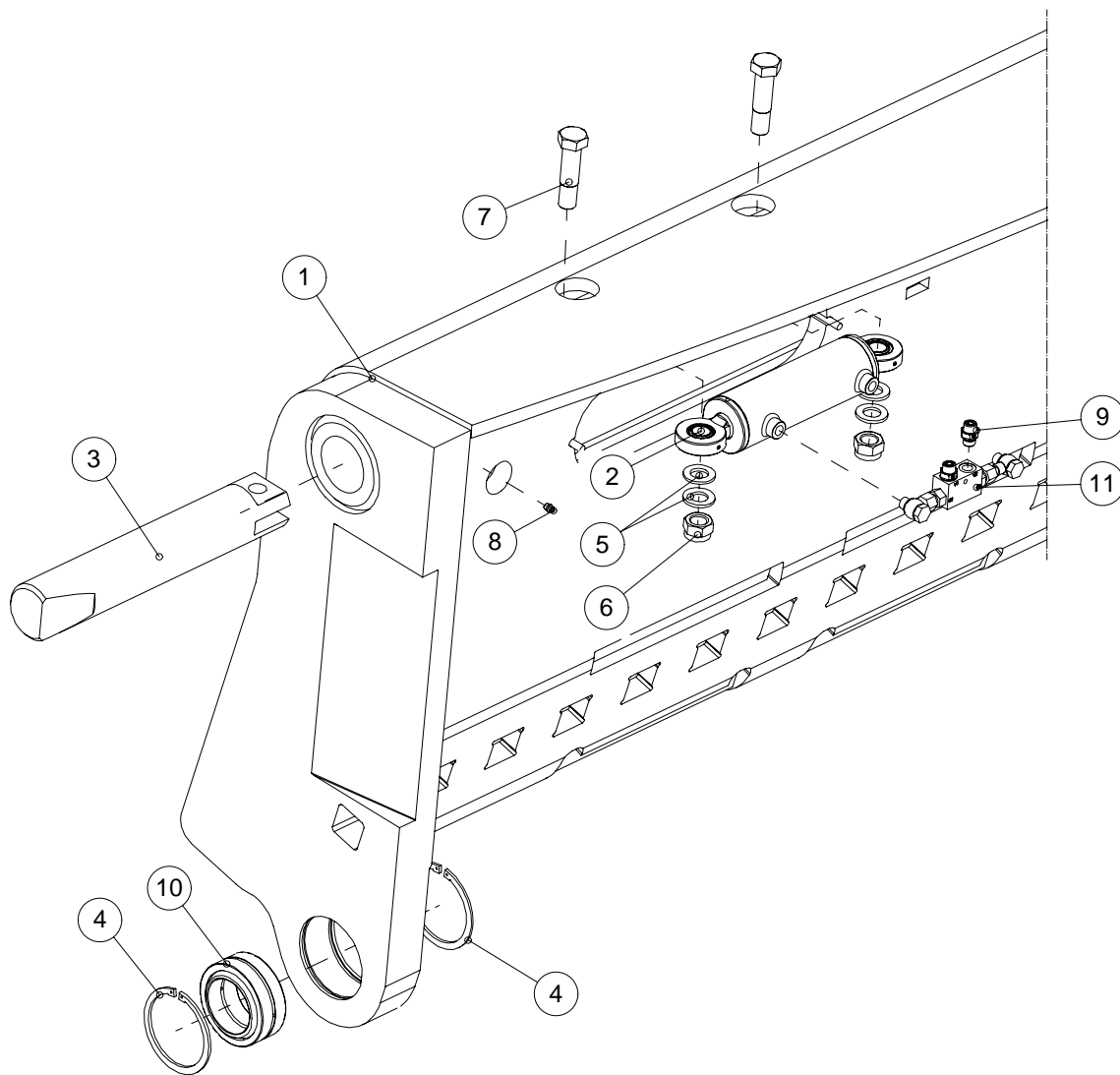


200029aA

**SN:**  
**Former:**  
**NOTE:**

**Hydraulcylinder**  
**Hydraulic cylinder**  
**200029a**

| No | Part No. | Qty | Delens benämning | Size             | Part name |
|----|----------|-----|------------------|------------------|-----------|
| 1  | 201465   | 2   | Radialledlager   |                  | Bearing   |
| 2  | 40OI20   | 2   | Stoppskruv       | M6x8 10.9 DIN913 | Set screw |

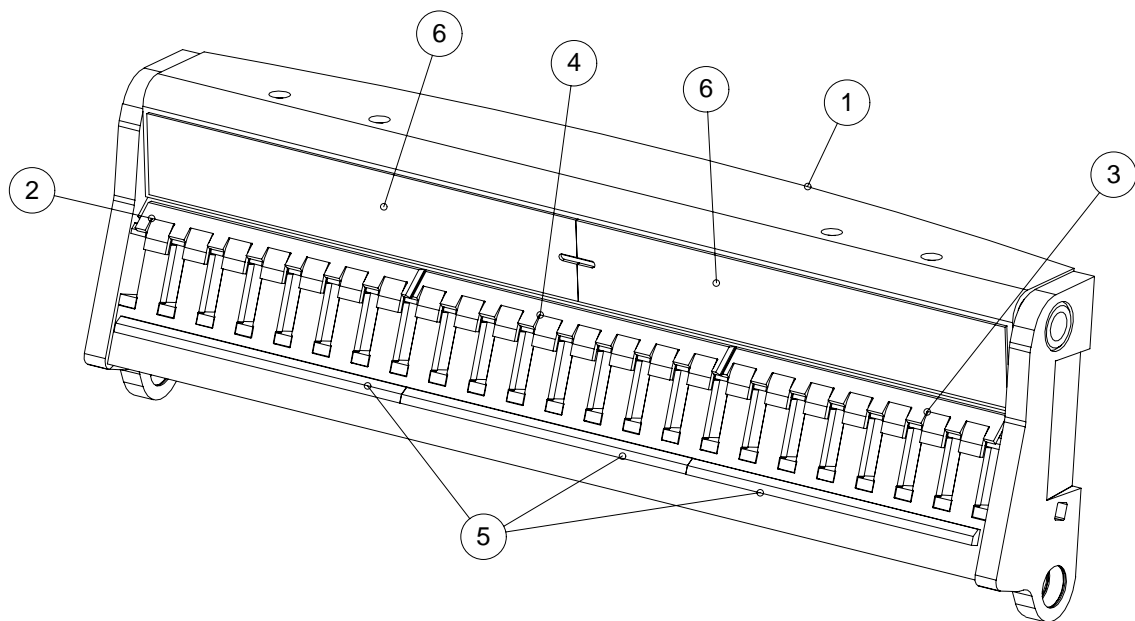


929915

**SN:**  
**Former:**  
**NOTE:**

**Luckans utrustning**  
**Hatch**  
**929915**

| No | Part No. | Qty | Delens benämning        | Size               | Part name           |
|----|----------|-----|-------------------------|--------------------|---------------------|
| 1  | 929916   | 1   | Svetsning av slitplatta |                    | Wear plates welding |
| 2  | 924772   | 2   | Hydraulcylinder         |                    | Hydraulic cylinder  |
| 3  | 927573   | 2   | Låskolv                 |                    | Lock clapper        |
| 4  | 48E119   | 4   | Låsring                 |                    | Circlip             |
| 5  | 46ADH8   | 8   | Bricka                  | M24 DIN 125 Zn     | Washer              |
| 6  | 45FI24   | 4   | Låsmutter, Nyloc        | M24 8 DIN985 Zn    | Lock nut            |
| 7  | 41DD41   | 4   | Justerskruv             | M24x100 8.8 DIN610 | Hex bolt            |
| 8  | 59D540   | 2   | Smörjnippel             |                    | Grease nipple       |
| 9  | 57OBI083 | 4   | Rak koppling            |                    | Fitting             |
| 10 | 51H035   | 2   | Ledlager                |                    | Spherical bearing   |
| 11 | 200747   | 2   | Dubbellåsventil         |                    | Valve               |



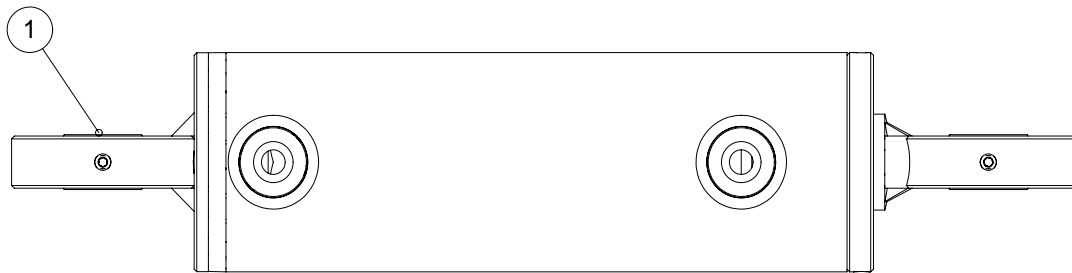
929916

**SN:**  
**Former:**  
**NOTE:**

**Svetsning av slitplatta**  
**Wear plates welding**  
**929916**

| No | Part No. | Qty | Delens benämning    | Size | Part name             |
|----|----------|-----|---------------------|------|-----------------------|
| 1  | 929917   | 1   | Lucka               |      | Hatch                 |
| 2  | 929926   | 1   | Slitplatta, vänster |      | Wearing plate, left   |
| 3  | 929998   | 1   | Slitplatta, höger   |      | Wearing plate, right  |
| 4  | 930010   | 1   | Slitplatta, mellan  |      | Wearing plate, middle |
| 5  | 929925   | 3   | Skyddsplåt          |      | Protective plate      |
| 6  | 930022   | 2   | Slitplåt            |      | Wearing plate         |



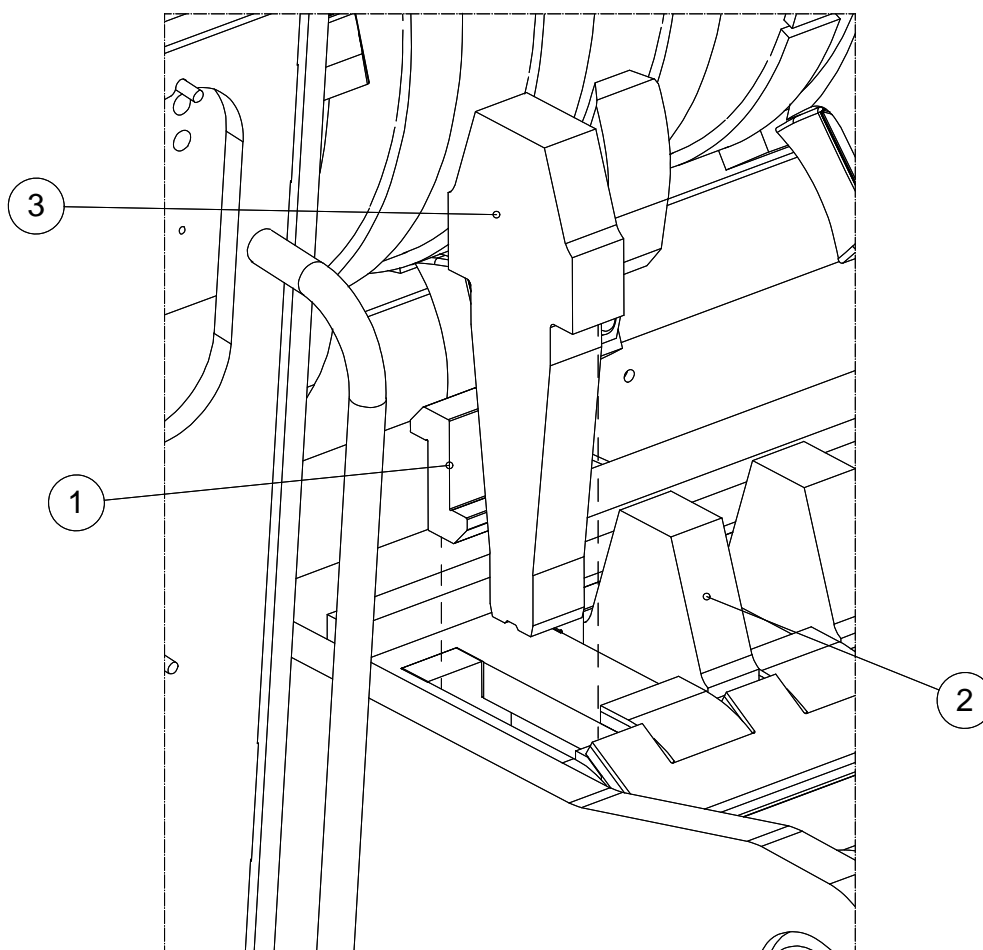


924772

**SN:**  
**Former:**  
**NOTE:**

**Hydraulcylinder**  
**Hydraulic cylinder**  
**924772**

| No | Part No. | Qty | Delens benämning | Size | Part name |
|----|----------|-----|------------------|------|-----------|
| 1  | 201464   | 2   | Lager            |      | Bearing   |

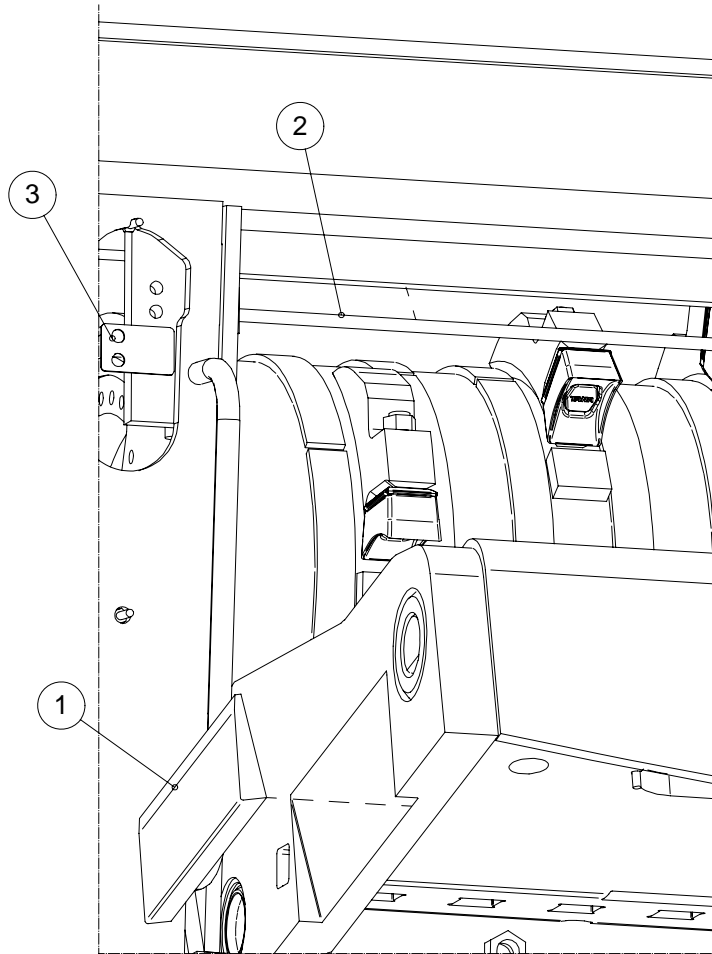


918661

**SN:**  
**Former:**  
**NOTE:**

**Montering av motskär**  
**Counter knives assembly**  
**918661**

| No | Part No. | Qty | Delens benämning | Size | Part name         |
|----|----------|-----|------------------|------|-------------------|
| 1  | 917098   | 23  | Låsstycke        |      | Locking component |
| 2  | 918270   | 21  | Spetsiskär       |      | Arrow knife       |
| 3  | 918663   | 2   | Halvskär         |      | Half knife        |



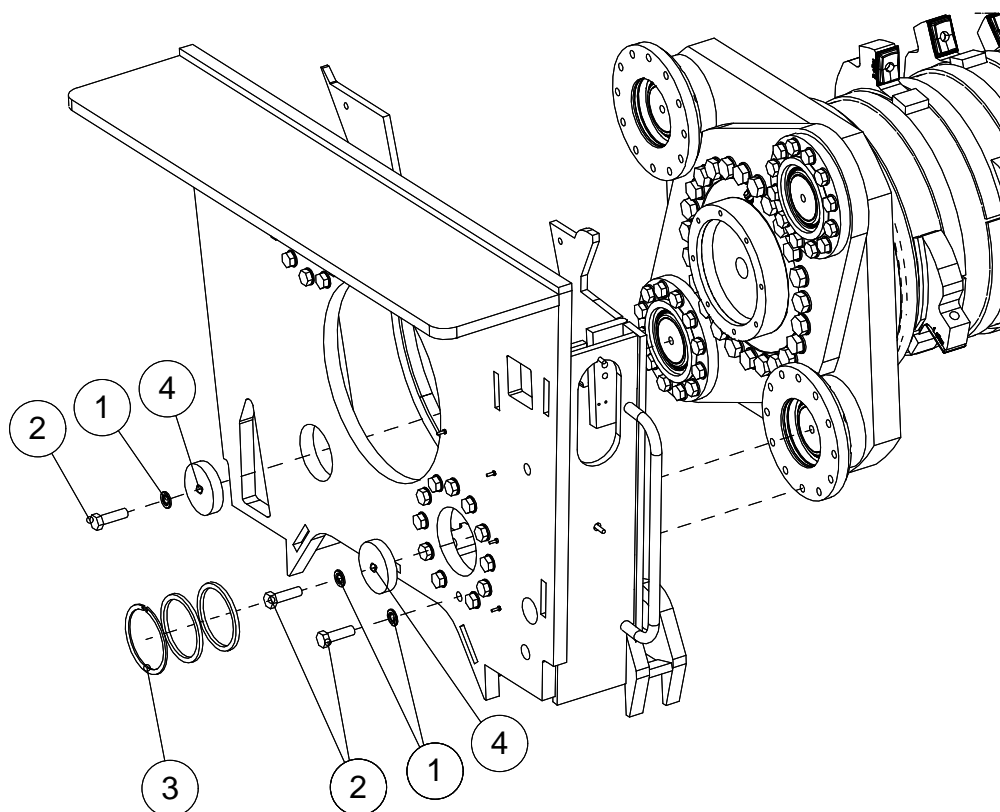


**929994**

**SN:**  
**Former:**  
**NOTE:**

**Luckans placering i ramen**  
**Counter wall positioning**  
**929994**

| No | Part No. | Qty | Delens benämning | Size | Part name       |
|----|----------|-----|------------------|------|-----------------|
| 1  | 929992   | 2   | Reglerskiva      |      | Adjusting plate |
| 2  | 918540   | 1   | Skyddstång       |      | Rod             |
| 3  | 919196   | 4   | Justerskiva      |      | Shim            |

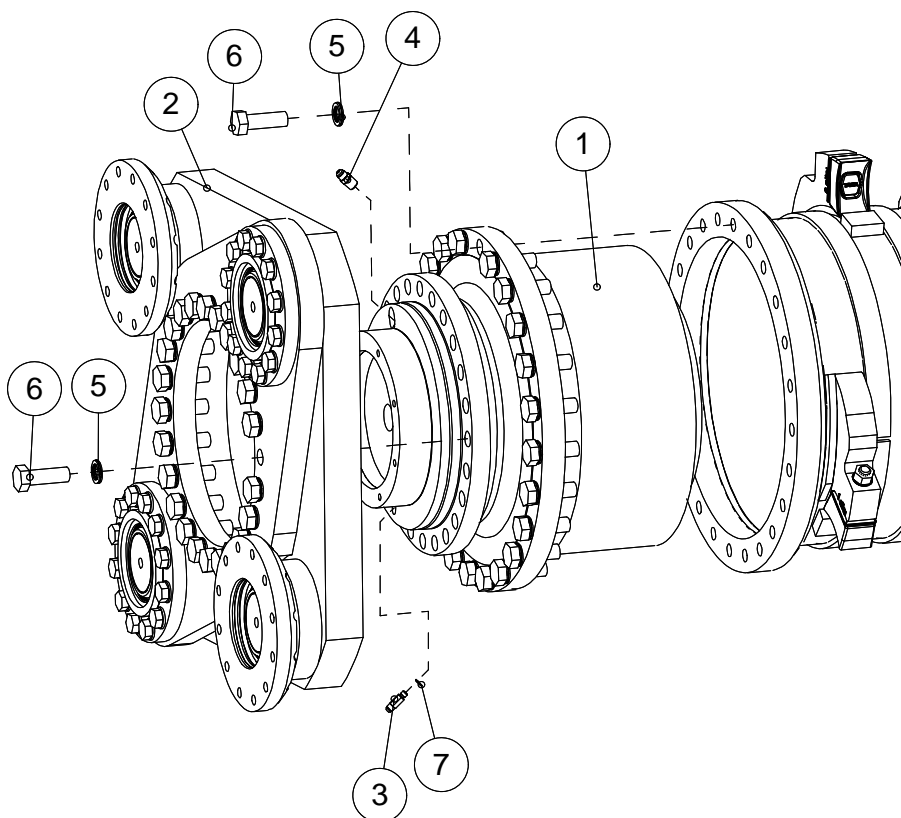


918628

**SN:**  
**Former:**  
**NOTE:**

**Montering av rotor**  
**Rotor assembly**  
**918628**

| No | Part No. | Qty | Delens benämning | Size               | Part name |
|----|----------|-----|------------------|--------------------|-----------|
| 1  | 46RBH2   | 56  | HV-bricka        | D25/D44 DIN6916    | HV-washer |
| 2  | 40D090   | 56  | Sexkantskruv     | M24x80 10.9 DIN931 | Hex bolt  |
| 3  | 48E180   | 4   | Låsring          |                    | Circlip   |
| 4  | 915580   | 8   | Låshatt          |                    | Cover     |



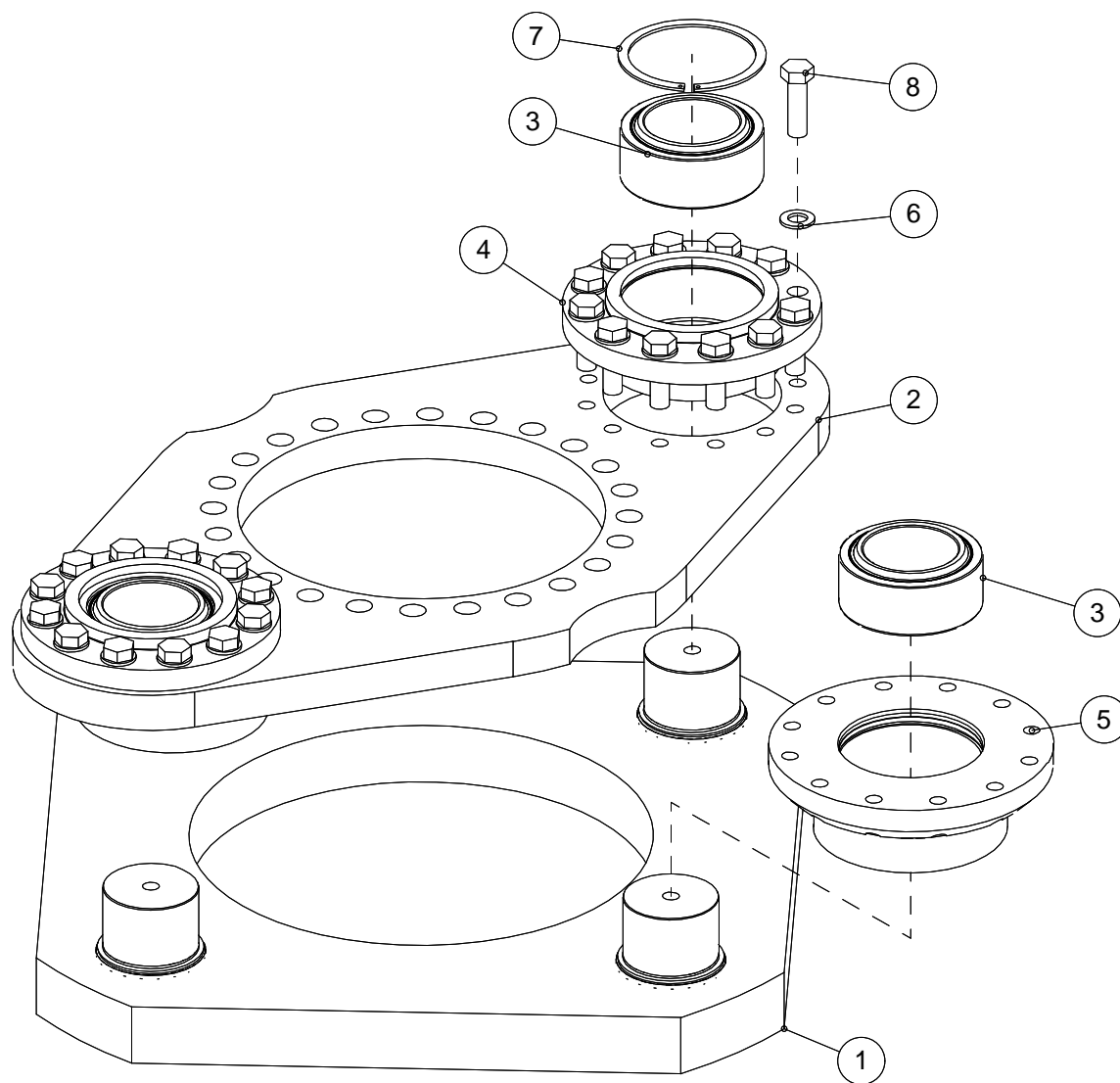
918608aA

**SN:**  
**Former:**  
**NOTE:**

**Rotor med utrustning**  
**Rotor equipment**  
**918608a**

| No | Part No. | Qty | Delens benämning | Size               | Part name           |
|----|----------|-----|------------------|--------------------|---------------------|
| 1  | 59L061   | 2   | Körväxel         |                    | Final drive         |
| 2  | 918629   | 2   | Vagga, monterad  |                    | Final drive carrier |
| 3  | 918622   | 2   | Adapter          |                    | Adapter             |
| 4  | 200568   | 2   | Rak koppling     |                    | Fitting             |
| 5  | 46T130   | 96  | Nordlock-lås     |                    | Nord-Lock washer    |
| 6  | 40DH39   | 96  | Sexkantskruv     | M30x90 12.9 DIN931 | Hex bolt            |
| 7  | 57IM12   | 2   | Usit-tätning     |                    | Usit seal           |

918629

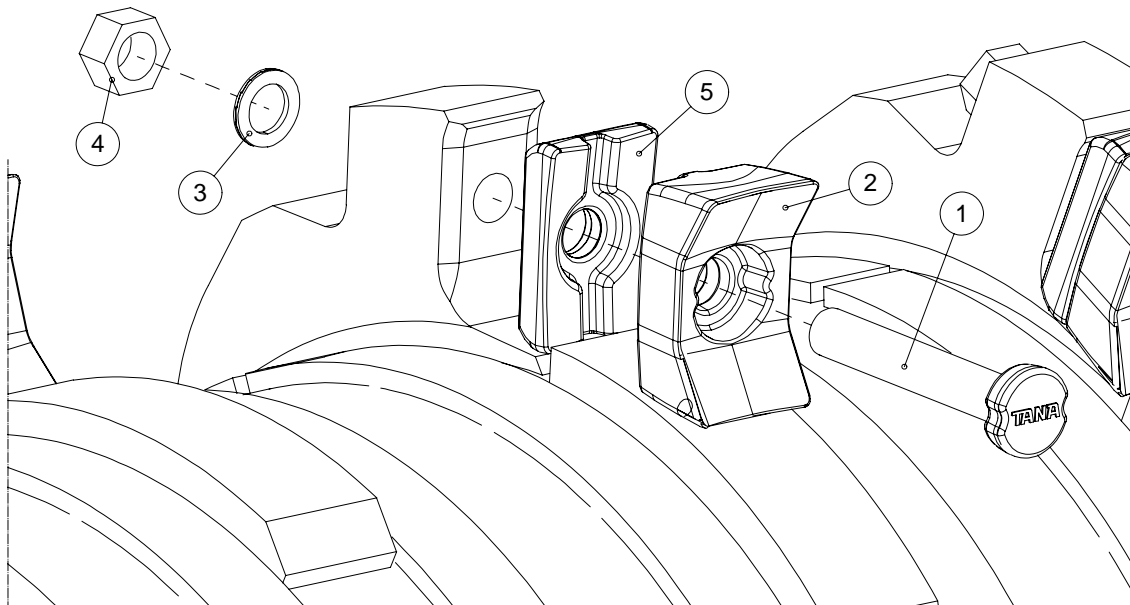


918629

**SN:**  
**Former:**  
**NOTE:**

**Vagga, monterad**  
**Final drive carrier**  
**918629**

| No | Part No. | Qty | Delens benämning | Size               | Part name       |
|----|----------|-----|------------------|--------------------|-----------------|
| 1  | 915474   | 1   | Tapplatta        |                    | Spider          |
| 2  | 915467   | 1   | Lagerplatta      |                    | Bearing plate   |
| 3  | 51H050   | 4   | Ledlager         |                    | Bearing         |
| 4  | 915472   | 2   | Lagerhus         |                    | Bearing housing |
| 5  | 918636   | 2   | Lagerhus         |                    | Bearing housing |
| 6  | 46RBH2   | 24  | HV-bricka        | D25/D44 DIN6916    | HV-washer       |
| 7  | 48E180   | 2   | Låsring          |                    | Circlip         |
| 8  | 40D090   | 24  | Sexkantskruv     | M24x80 10.9 DIN931 | Hex bolt        |





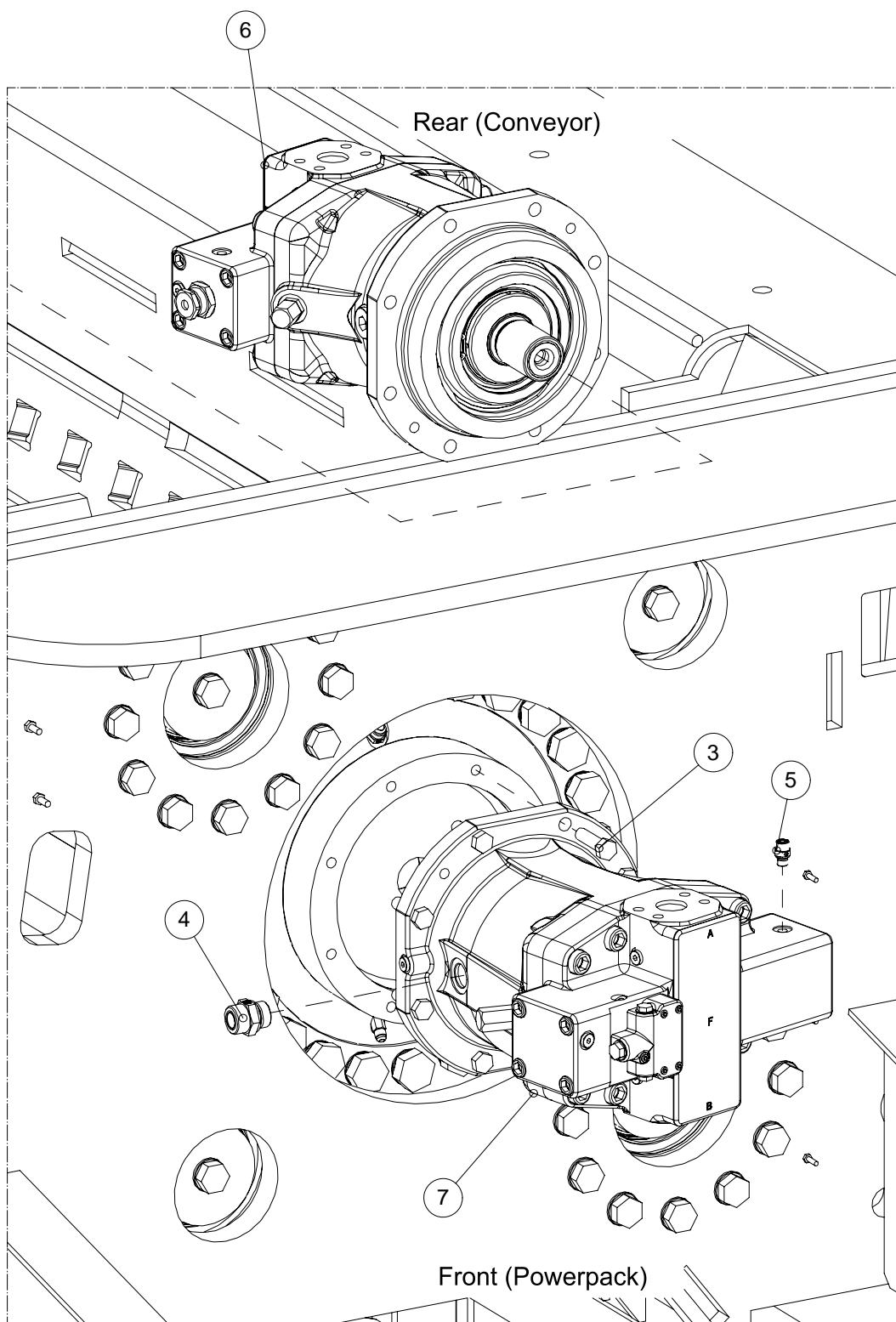
920434aA

**SN:**  
**Former:**  
**NOTE:**

**Montering av rotorskär**  
**Rotor knives assembly**  
**920434a**

| No | Part No. | Qty | Delens benämning | Size            | Part name           |
|----|----------|-----|------------------|-----------------|---------------------|
| 1  | 920433   | 1   | Monterskruv      |                 | Bolt                |
| 2  | 920138   | 1   | Rotorskär        |                 | Rotor knife         |
| 3  | 46T124   | 1   | Nordlock-lås     | M24             | Nord-Lock washer    |
| 4  | 45AH24   | 1   | Sexkantmutter    | M24 12.9 DIN934 | Hex nut             |
| 5  | 920139   | 1   | Tryckplatta      |                 | Rotor knife bracket |

924102

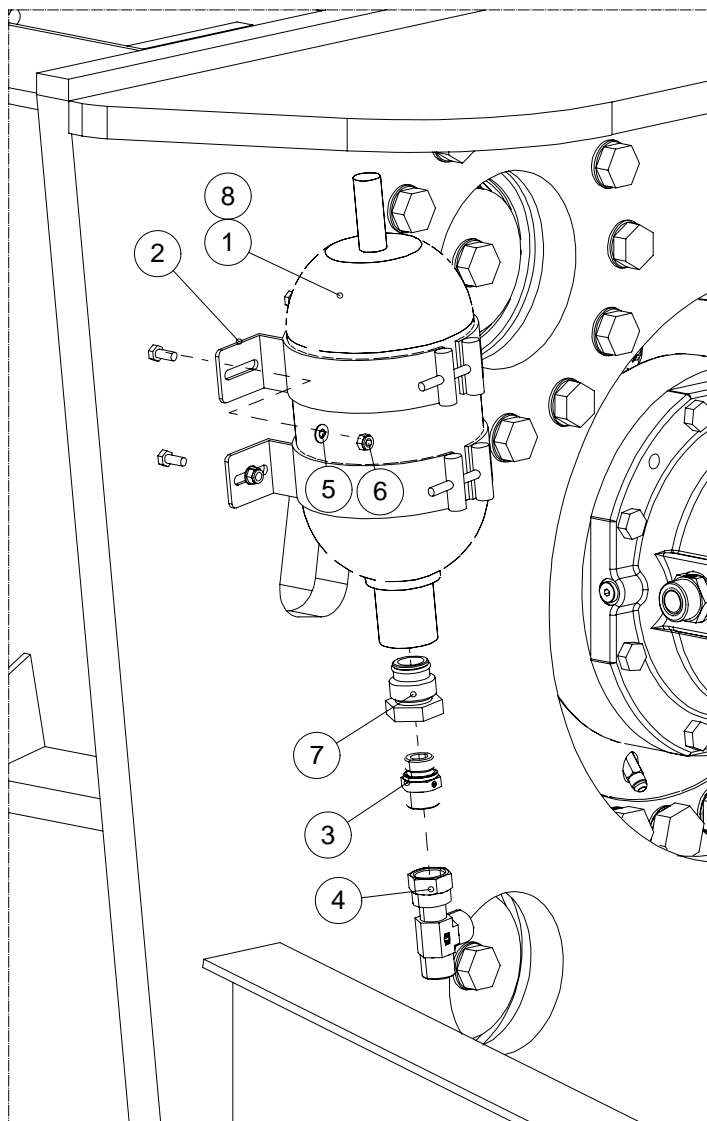


924102

**SN:**  
**Former:**  
**NOTE:**

**Montering av hydraulmotorer**  
**Hydraulic motor assembly**  
**924102**

| No | Part No. | Qty | Delens benämning     | Size  | Part name              |
|----|----------|-----|----------------------|---|------------------------|
| 3  | 41AN91   | 16  | Sexkantskruv         | M16x60 8.8 DIN931 Zn                                | Hex bolt               |
| 4  | 57OII221 | 2   | Rak koppling         |   | Fitting                |
| 5  | 57ODI081 | 2   | Rak koppling         |   | Fitting                |
| 6  | 201565   | 1   | Hydraulmotor, bakre  | Shark 220&440D/Deco/DT/DTeco,<br>Shark 440E/EM 60hz | Hydraulic motor, rear  |
| 7  | 201564   | 1   | Hydraulmotor, främre | Shark 220&440D/Deco/DT/DTeco,<br>Shark 440E/EM 60hz | Hydraulic motor, front |

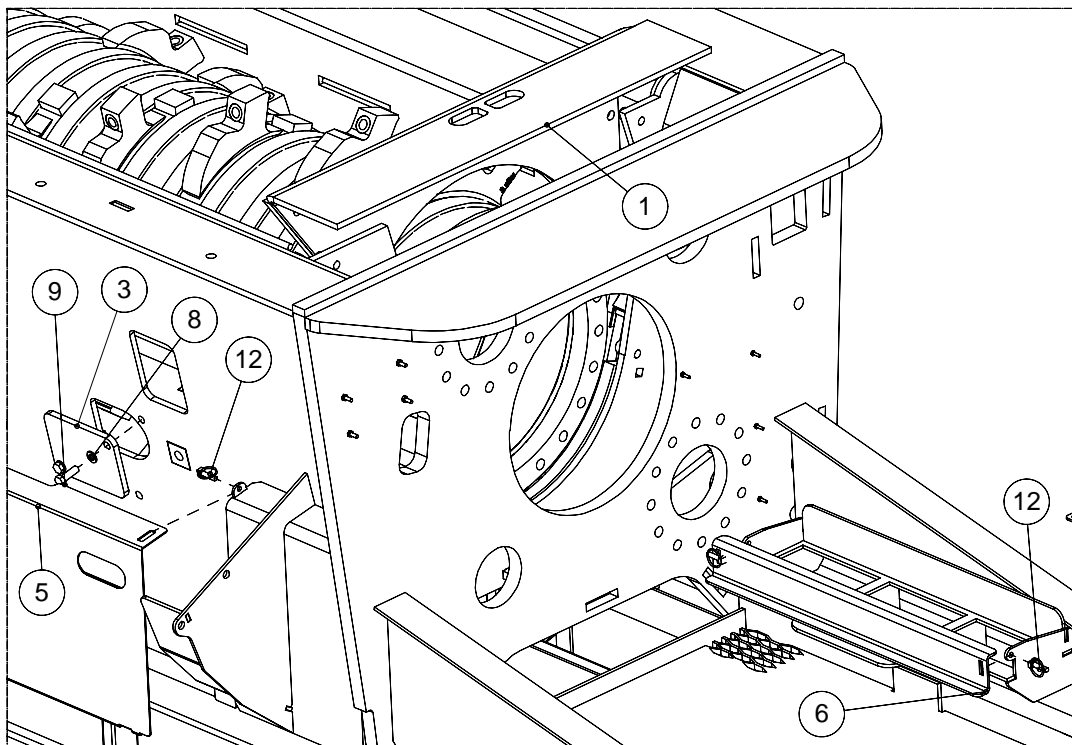
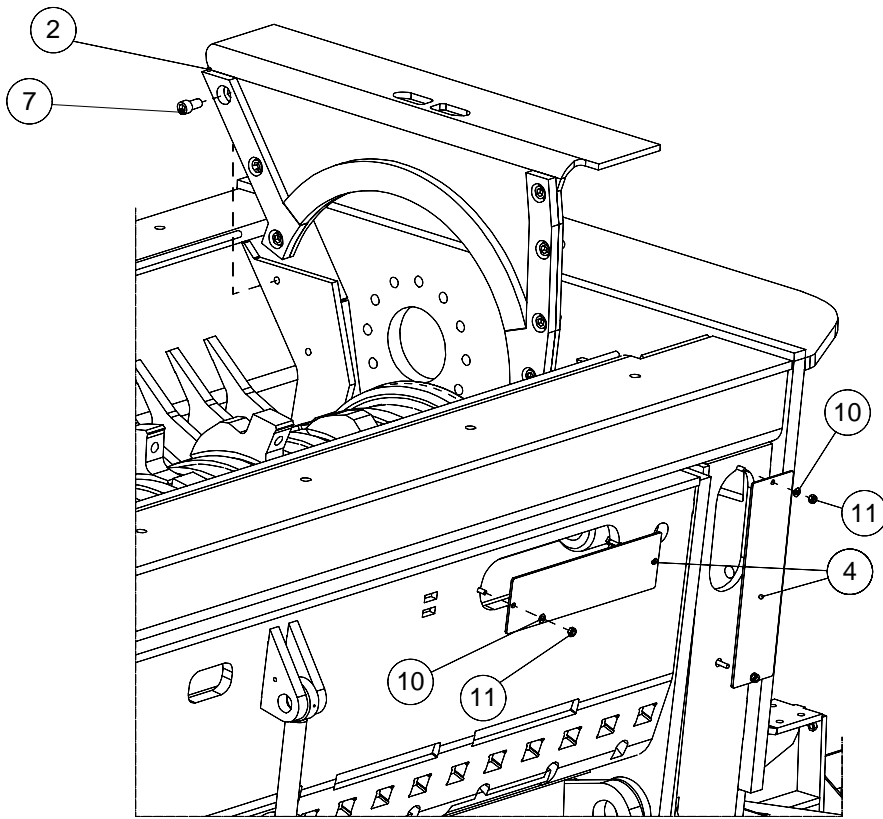


919642bB

**SN:**  
**Former:**  
**NOTE:**

**Montering av tryckackumulator**  
**Pressure accumulator assembly**  
**919642b**

| No | Part No.  | Qty | Delens benämning       | Size           | Part name            |
|----|-----------|-----|------------------------|----------------|----------------------|
| 1  | 200479    | 2   | Tryckackumulator       | EUROPE         | Pressure accumulator |
| 2  | 200455    | 4   | Fästband               |                | Band                 |
| 3  | 57OBI201  | 2   | Rak koppling           |                | Fitting              |
| 4  | 57OOT103W | 2   | L-förlängningskoppling |                | Union tee            |
| 5  | 46ADE4    | 8   | Bricka                 | M8 DIN125 Zn   | Washer               |
| 6  | 45FI08    | 8   | Låsmutter, Nyloc       | M8 8 DIN985 Zn | Lock nut             |
| 7  | 201171    | 2   | Adapter                |                | Adapter              |
| 8  | 201170    |     | Tryckackumulator       | USA            | Pressure accumulator |



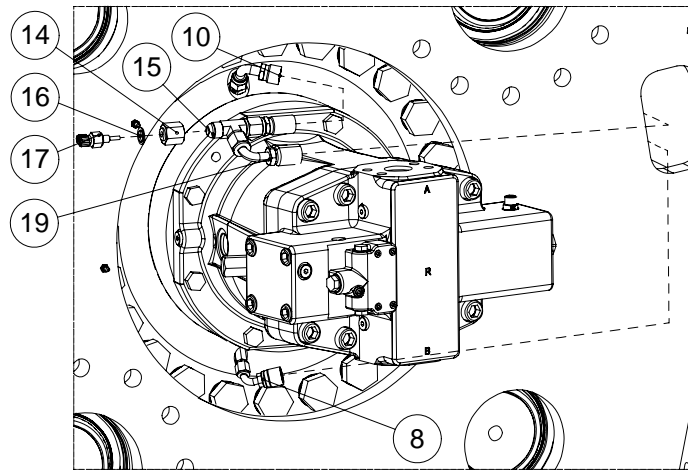
919887aA

**SN:**  
**Former:**  
**NOTE:**

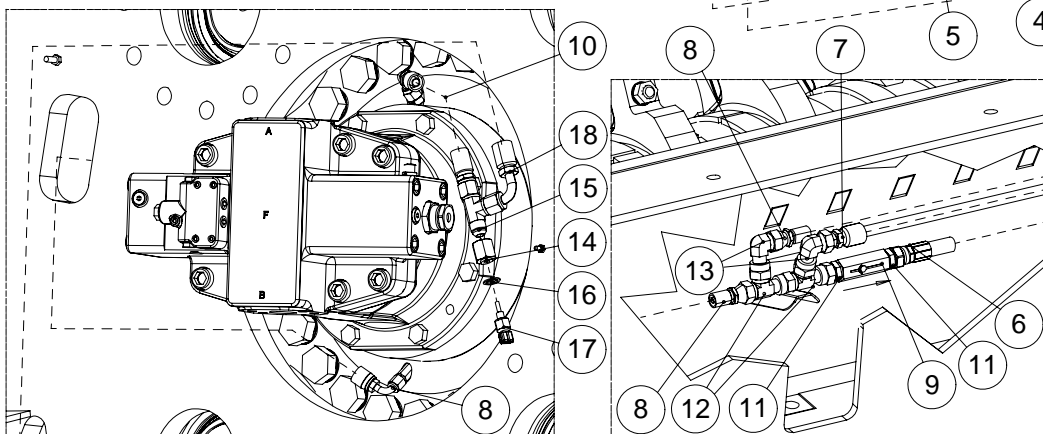
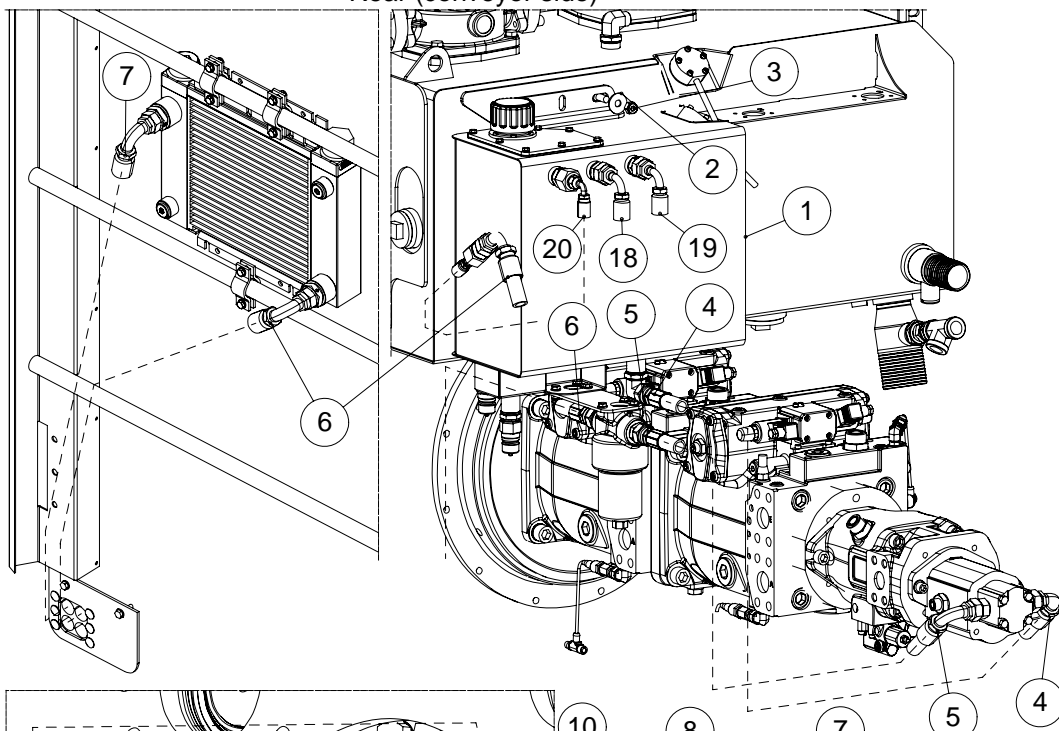
**Montering av skyddsutrustning**  
**Protection covers**  
**919887a**

| No | Part No. | Qty | Delens benämning   | Size                 | Part name     |
|----|----------|-----|--------------------|----------------------|---------------|
| 1  | 918567   | 1   | Täcklock           |                      | Cover plate   |
| 2  | 918572   | 1   | Täcklock           |                      | Cover plate   |
| 3  | 919523   | 3   | Täcklock           |                      | Cover plate   |
| 4  | 918256   | 4   | Täcklock           |                      | Cover plate   |
| 5  | 919541   | 1   | Täcklock           |                      | Cover plate   |
| 6  | 919102   | 1   | Låsplatta för skär |                      | Locking plate |
| 7  | 40FR23   | 16  | Insexskruv         | M20x40 8.8 DIN912    | Allen screw   |
| 8  | 46ADG8   | 6   | Bricka             | M16 DIN125 Zn        | Washer        |
| 9  | 41AN89   | 6   | Sexkantskruv       | M16x50 8.8 DIN931 Zn | Hex bolt      |
| 10 | 46ADE9   | 8   | Bricka             | M10 DIN125 Zn        | Washer        |
| 11 | 45FI10   | 8   | Låsmutter          | M10 8 DIN985 Zn      | Lock nut      |
| 12 | 47E055   | 4   | Ringsprint         |                      | Pin           |

929237



Takavaihte (kuljettimen puoli)  
Rear (conveyor side)



Etuvaihte (powerpackin puoli)  
Front (powerpack side)

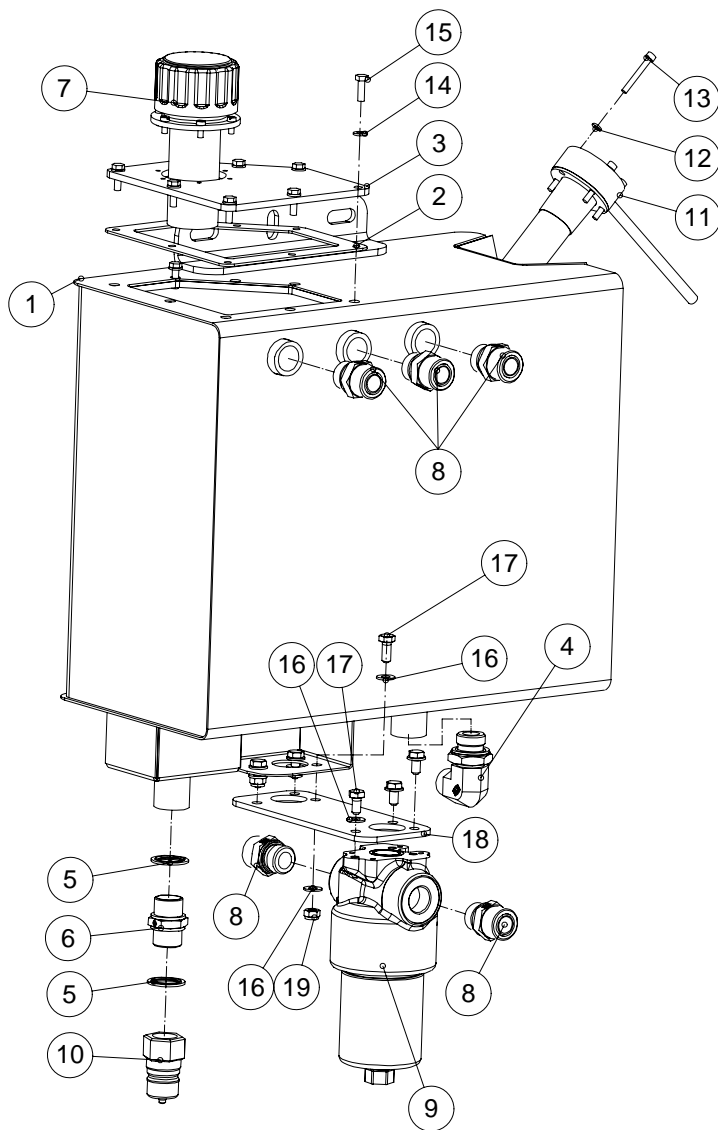


929237

**SN:**  
**Former:**  
**NOTE:****Växellådans kylkrets**  
**Transmission oil cooling circuit**  
**929237**

| No | Part No.  | Qty | Delens benämning            | Size              | Part name             |
|----|-----------|-----|-----------------------------|-------------------|-----------------------|
| 1  | 922347    | 1   | Behållare för växellådsolja |                   | Transmission oil tank |
| 2  | 46EDF5    | 3   | Bricka                      | M12x37 DIN9021 Zn | Washer                |
| 3  | 45F112    | 3   | Låsmutter, Nyloc            | M12 8 DIN985 Zn   | Lock nut              |
| 4  | 922615    | 1   | Slang                       |                   | Hose                  |
| 5  | 922616    | 1   | Slang                       |                   | Hose                  |
| 6  | 922617    | 2   | Slang                       |                   | Hose                  |
| 7  | 923770    | 1   | Slang                       |                   | Hose                  |
| 8  | 919867    | 2   | Slang                       |                   | Hose                  |
| 9  | 201485    | 1   | Motventil                   |                   | Valve                 |
| 10 | 919866    | 2   | Slang                       |                   | Hose                  |
| 11 | 57OBI201  | 2   | Rak koppling                |                   | Fitting               |
| 12 | 57OOT103W | 2   | L-förlängningskoppling      |                   | Union tee             |
| 13 | 57OOL181V | 2   | Vinkelkoppling 90           |                   | Elbow                 |
| 14 | 919889    | 2   | Adapter                     |                   | Adapter               |
| 15 | 200570    | 2   | T-koppling                  |                   | Fitting               |
| 16 | 57IM10    | 2   | Usit-tätning                |                   | Usit seal             |
| 17 | 73B074    | 2   | Temperaturgivare            |                   | Temperature sensor    |
| 18 | 922619    | 1   | Slang                       |                   | Hose                  |
| 19 | 922620    | 1   | Slang                       |                   | Hose                  |
| 20 | 929107    | 1   | Slang                       |                   | Hose                  |

922347aA



922347aA

**SN:**  
**Former:**  
**NOTE:****Behållare för växellådsolja**  
**Transmission oil tank**  
**922347a**

| No | Part No. | Qty | Delens benämning            | Size                | Part name        |
|----|----------|-----|-----------------------------|---------------------|------------------|
| 1  | 922352   | 1   | Behållare för växellådsolja |                     | Gearbox oil tank |
| 2  | 922365   | 1   | Tätning                     |                     | Seal             |
| 3  | 922356   | 1   | Lock                        |                     | Cover            |
| 4  | 57OBL181 | 1   | Vinkelkoppling 90 gr.       |                     | Elbow fitting    |
| 5  | 57IT12   | 2   | Usit-tätning                |                     | Usit seal        |
| 6  | 200268   | 1   | Förlängningskoppling        |                     | Fitting          |
| 7  | 200481   | 1   | Flämtventil                 |                     | Breather         |
| 8  | 57OBI201 | 5   | Rak koppling                |                     | Fitting          |
| 9  | 200901   | 1   | Tryckfilter                 |                     | Filter           |
| 10 | 57X011   | 1   | Snabbkoppling, hane         |                     | Quick coupling   |
| 11 | 200865   | 1   | Nivågivare                  |                     | Level sensor     |
| 12 | 46ADC6   | 5   | Bricka                      | M5 DIN 125 Zn       | Washer           |
| 13 | 41FH07   | 5   | Insexskruv                  | M5x40 8.8 DIN912 Zn | Allen bolt       |
| 14 | 46ADD3   | 8   | Bricka                      | M6 DIN125 Zn        | Washer           |
| 15 | 41BI35   | 8   | Sexkantskruv                | M6x20 8.8 DIN933 Zn | Hex bolt         |
| 16 | 46ADE4   | 9   | Bricka                      | M8 DIN125 Zn        | Washer           |
| 17 | 41BJ69   | 3   | Sexkantskruv                | M8x16 8.8 DIN933 Zn | Hex bolt         |
| 18 | 928477   | 1   | Fästplatta                  |                     | Fixing plate     |
| 19 | 41BJ71   | 3   | Sexkantskruv                | M8x20 8.8 DIN933 Zn | Hex bolt         |

NO PICTURE AVAILABLE

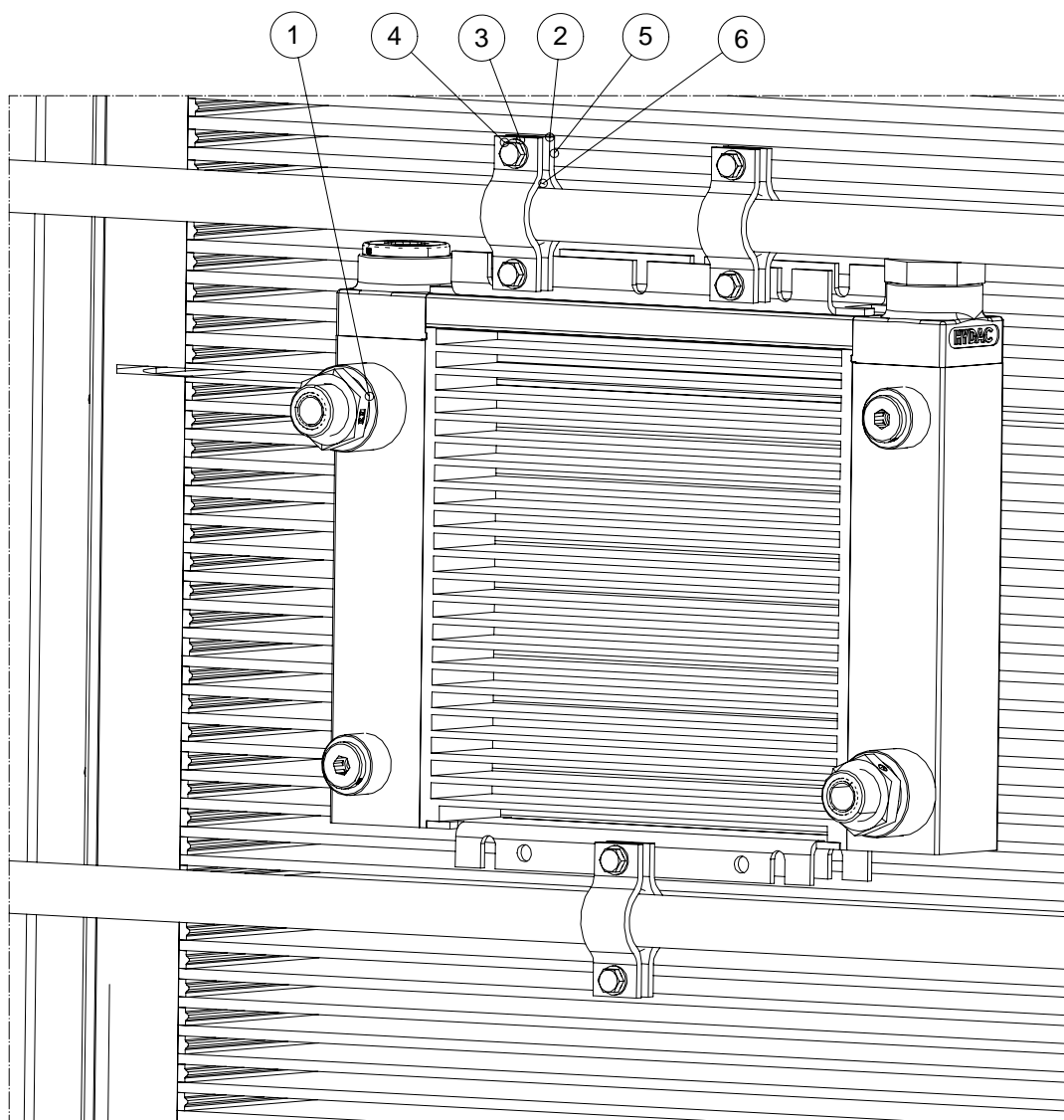
200901

**SN:**  
**Former:**  
**NOTE:**

**Tryckfilter**  
**Filter**  
**200901**

| No | Part No. | Qty | Delens benämning | Size | Part name      |
|----|----------|-----|------------------|------|----------------|
| 1  | 200902   | 1   | Filterinsats     |      | Filter element |
| 2  | 201733   | 1   | Tätningssats     |      | Seal kit       |

922578aA

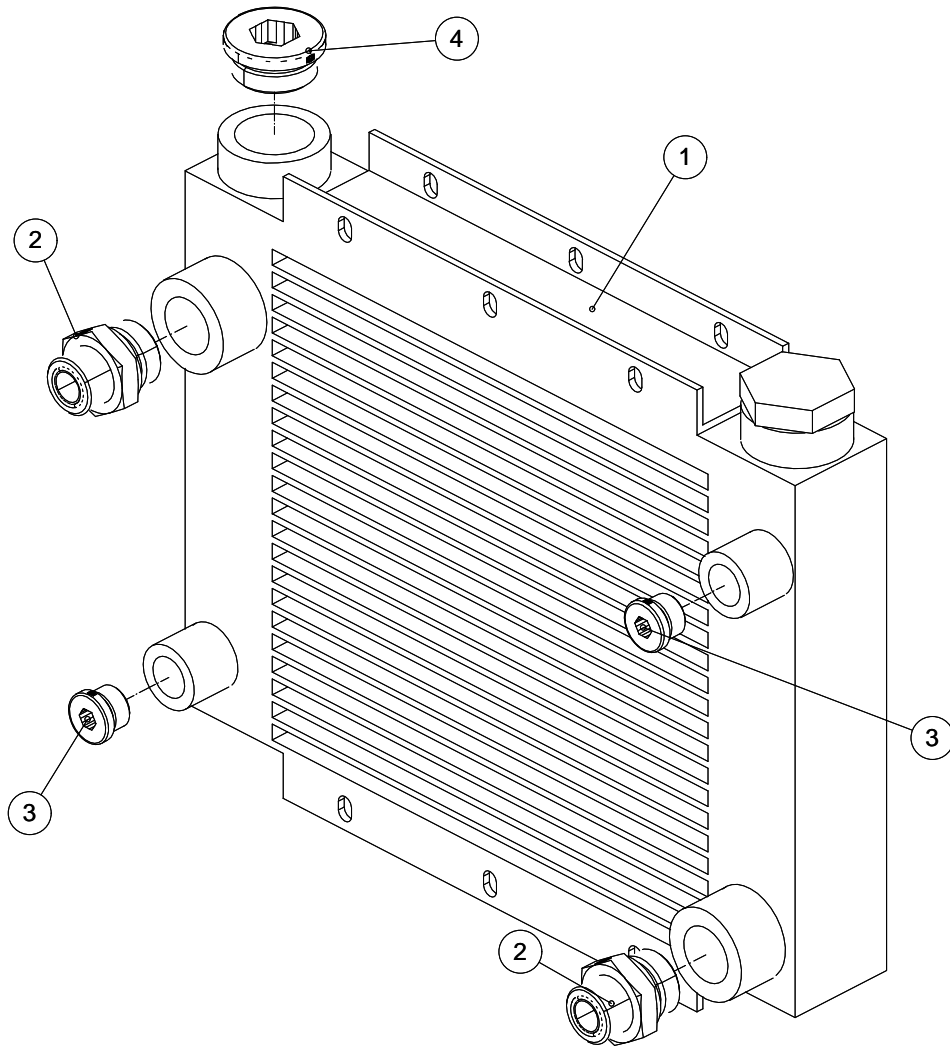


922578aA

**SN:**  
**Former:**  
**NOTE:**

**Kylare för växellådsolja**  
**Transmission oil cooler**  
**922578a**

| No | Part No. | Qty | Delens benämning | Size                | Part name               |
|----|----------|-----|------------------|---------------------|-------------------------|
| 1  | 918059   | 1   | Kylare           |                     | Transmission oil cooler |
| 2  | 201446   | 3   | Rörbygel         |                     | Pipe clamp              |
| 3  | 46ADE4   | 12  | Bricka           | M8 DIN125 Zn        | Washer                  |
| 4  | 41BJ75   | 6   | Sexkantskruv     | M8x30 8.8 DIN933 Zn | Hex bolt                |
| 5  | 45FI08   | 6   | Låsmutter, Nyloc | M8 8 DIN985 Zn      | Lock nut                |
| 6  | 201083   | 1   | Tätningband      |                     | Seal stripe             |



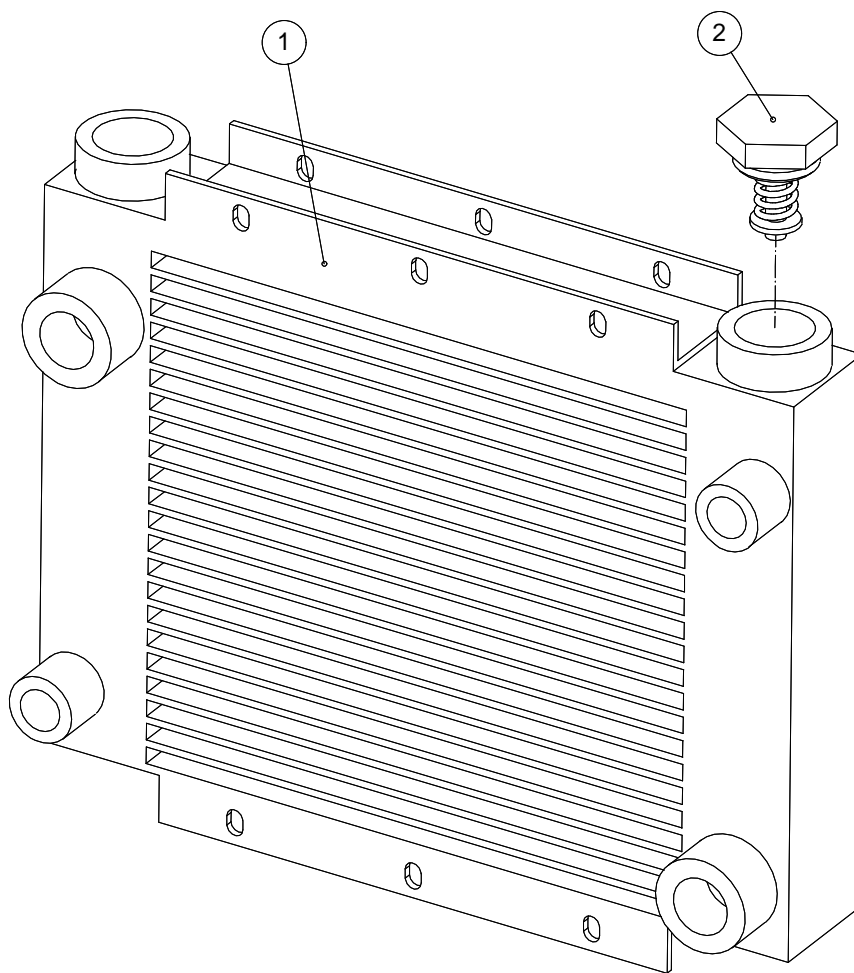


918059

**SN:**  
**Former:**  
**NOTE:**

**Kylare**  
**Transmission oil cooler**  
**918059**

| No | Part No. | Qty | Delens benämning | Size | Part name     |
|----|----------|-----|------------------|------|---------------|
| 1  | 200174   | 1   | Kylcell          |      | Radiator core |
| 2  | 57OBI183 | 2   | Rak koppling     |      | Fitting       |
| 3  | 200175   | 2   | Insexplugg       |      | Plug          |
| 4  | 57S120   | 1   | Insexplugg       |      | Plug          |



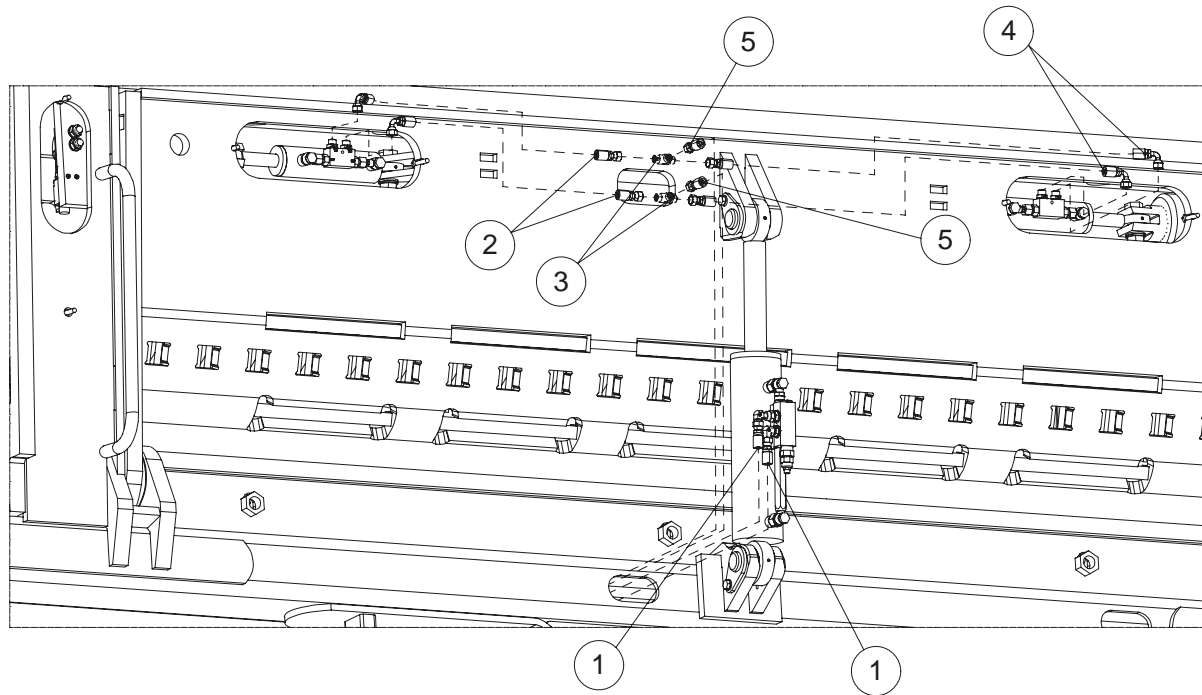
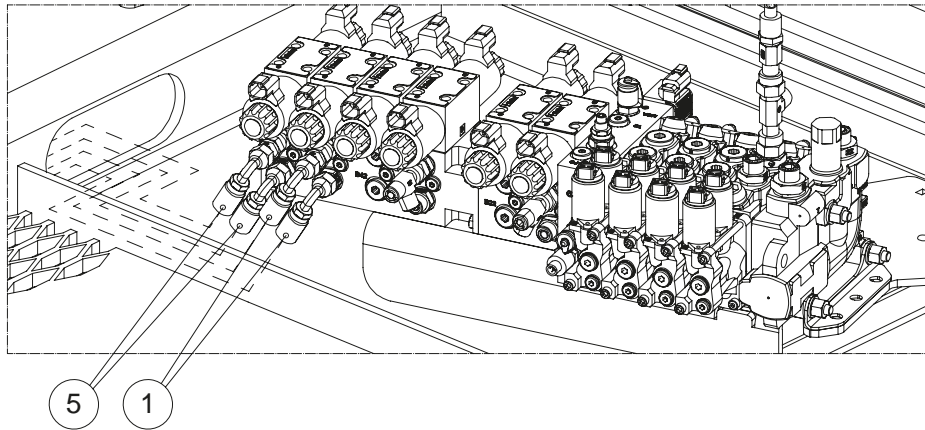
200174

**SN:**  
**Former:**  
**NOTE:**

**Kylcell**  
**Radiator core**  
**200174**

| No | Part No. | Qty | Delens benämning | Size | Part name     |
|----|----------|-----|------------------|------|---------------|
| 1  | 200172   | 1   | Kylcell          |      | Radiator core |
| 2  | 200232   | 1   | Bypassventil     |      | By-pass valve |

922626aA



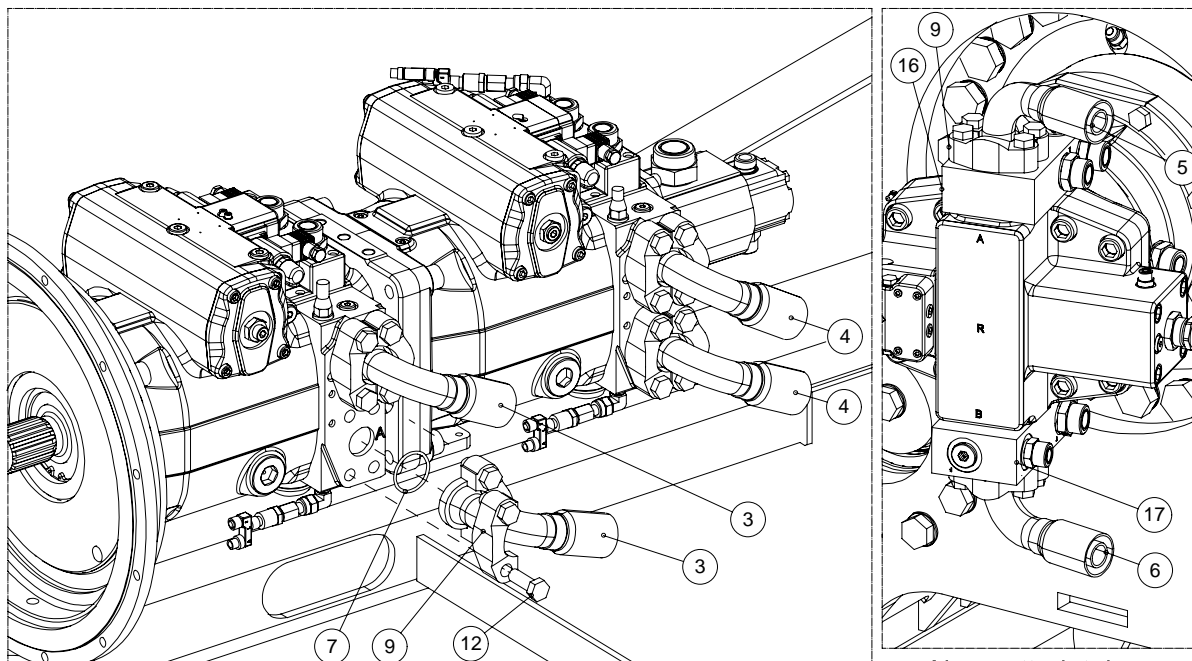
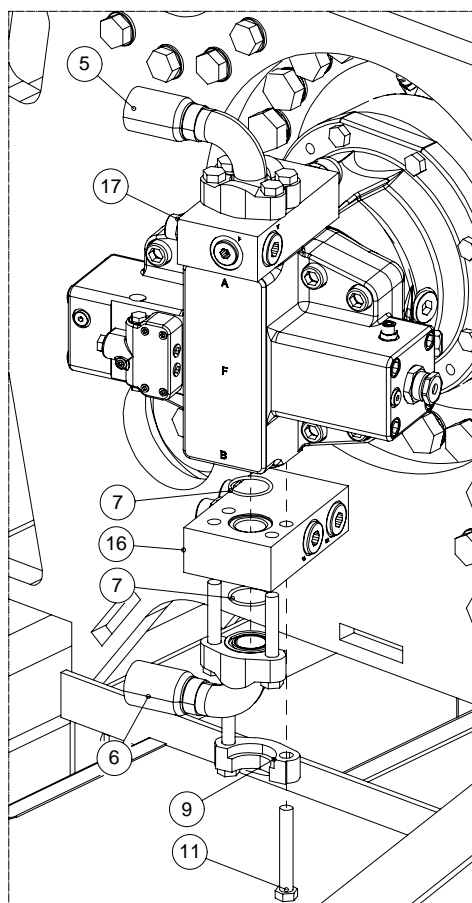
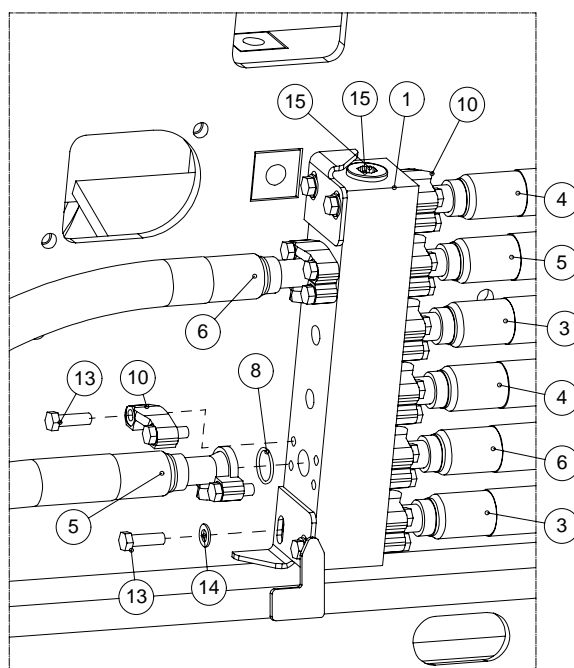
922626aA

**SN:**  
**Former:**  
**NOTE:**

**Slangar för luckans drifhydraulik**  
**Counter wall hydraulic hoses**  
**922626a**

| No | Part No. | Qty | Delens benämning | Size | Part name |
|----|----------|-----|------------------|------|-----------|
| 1  | 923790   | 2   | Slang            |      | Hose      |
| 2  | 923810   | 2   | Slang            |      | Hose      |
| 3  | 57OOT081 | 2   | T-koppling       |      | Union tee |
| 4  | 918411   | 2   | Slang            |      | Hose      |
| 5  | 918412   | 2   | Slang            |      | Hose      |

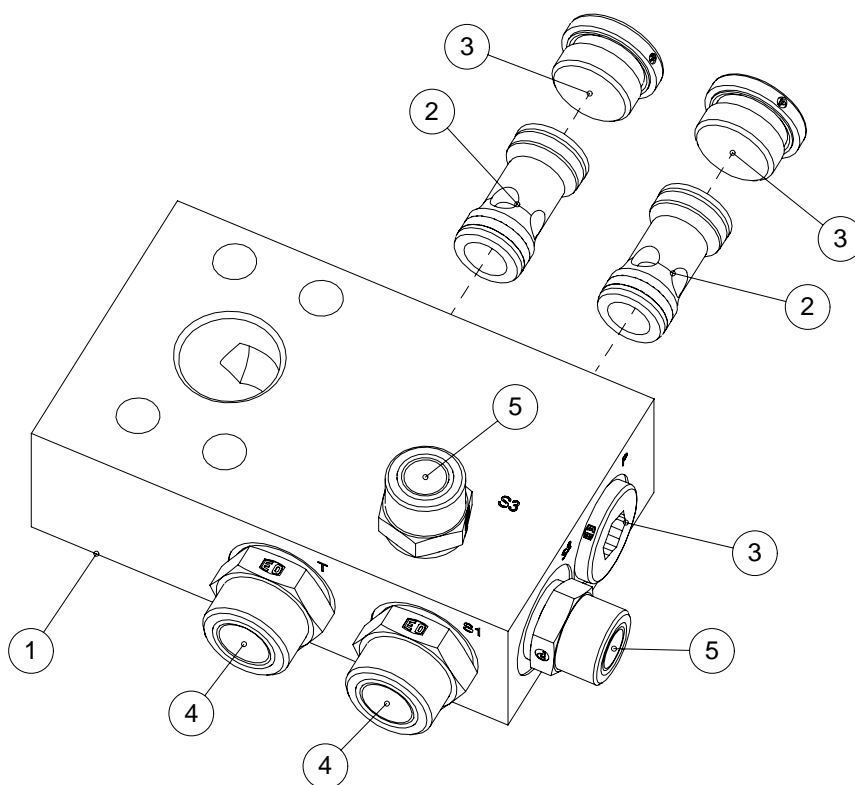
929130

Ajomoottori, taka  
Drive motor, rearAjomoottori, etu  
Drive motor, front

929130

**SN:**  
**Former:**  
**NOTE:****Slangar för drifhydraulik, rotor**  
**Drive hydraulics hoses, rotor**  
**929130**

| No | Part No. | Qty | Delens benämning        | Size                 | Part name             |
|----|----------|-----|-------------------------|----------------------|-----------------------|
| 1  | 919463   | 1   | Fördelarblock           |                      | Block                 |
| 3  | 922622   | 2   | Slang                   |                      | Hose                  |
| 4  | 922623   | 2   | Slang                   |                      | Hose                  |
| 5  | 919651   | 2   | Slang                   |                      | Hose                  |
| 6  | 919652   | 2   | Slang                   |                      | Hose                  |
| 7  | 57H190   | 12  | O-Ring                  |                      | O-ring                |
| 8  | 57H150   | 8   | O-Ring                  |                      | O-ring                |
| 9  | 57J035   | 16  | SAE flänshalva          |                      | Flange (one half)     |
| 10 | 57J120   | 16  | SAE flänshalva          |                      | Flange (one half)     |
| 11 | 40AP01   | 16  | Sexkantskruv            | M16x110 8.8 DIN931   | Hex bolt              |
| 12 | 41BN88   | 16  | Sexkantskruv            | M16x45 8.8 DIN933 Zn | Hex bolt              |
| 13 | 41BN20   | 36  | Sexkantskruv            | M14x45 8.8 DIN933 Zn | Hex bolt              |
| 14 | 46ADG3   | 4   | Bricka                  | M14 DIN 125 Zn       | Washer                |
| 15 | 57S120   | 2   | Insexplugg              |                      | Plug                  |
| 16 | 929126   | 2   | Ventilenhet             |                      | Valve unit            |
| 17 | 929048   | 2   | Tryckbegränsningsventil |                      | Pressure relief valve |





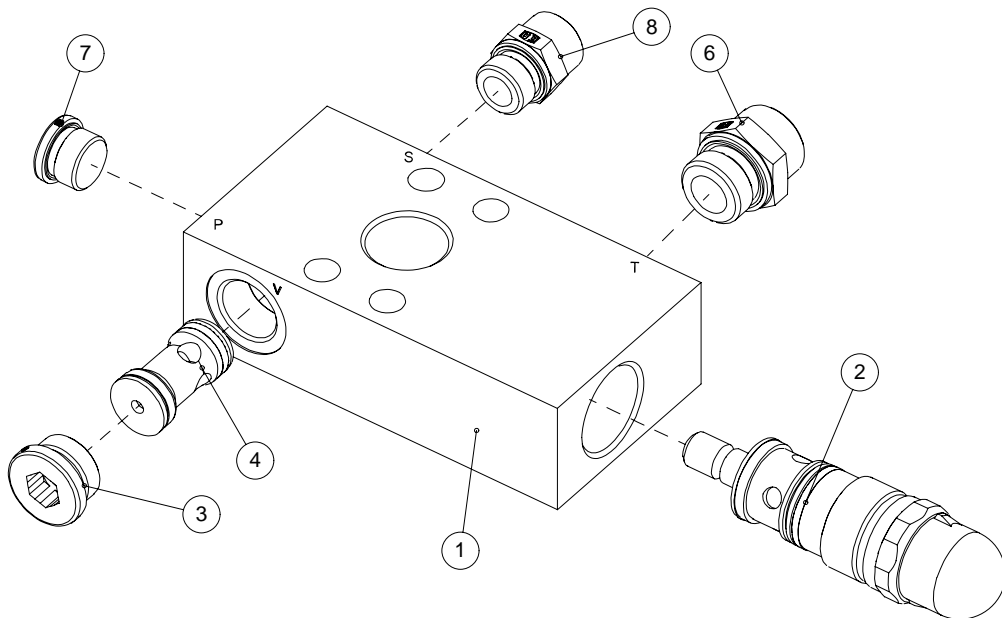
929126

**SN:**  
**Former:**  
**NOTE:**

**Ventilenhet**  
**Valve unit**  
**929126**

| No | Part No. | Qty | Delens benämning | Size | Part name     |
|----|----------|-----|------------------|------|---------------|
| 1  | 929128   | 1   | Ventilblock      |      | Valve block   |
| 2  | 202690   | 2   | Motventil        |      | Counter valve |
| 3  | 202689   | 3   | Insexplugg       |      | Plug          |
| 4  | 57OBI221 | 2   | Rak koppling     |      | Fitting       |
| 5  | 57OBI201 | 2   | Rak koppling     |      | Fitting       |

929048



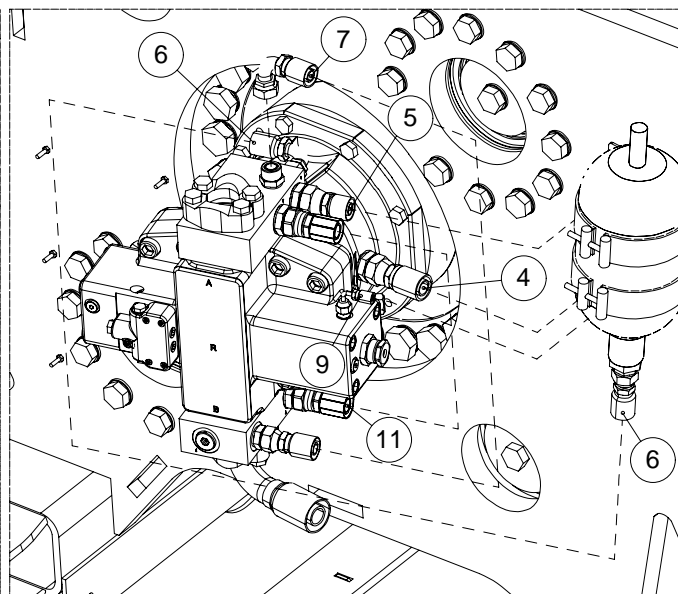
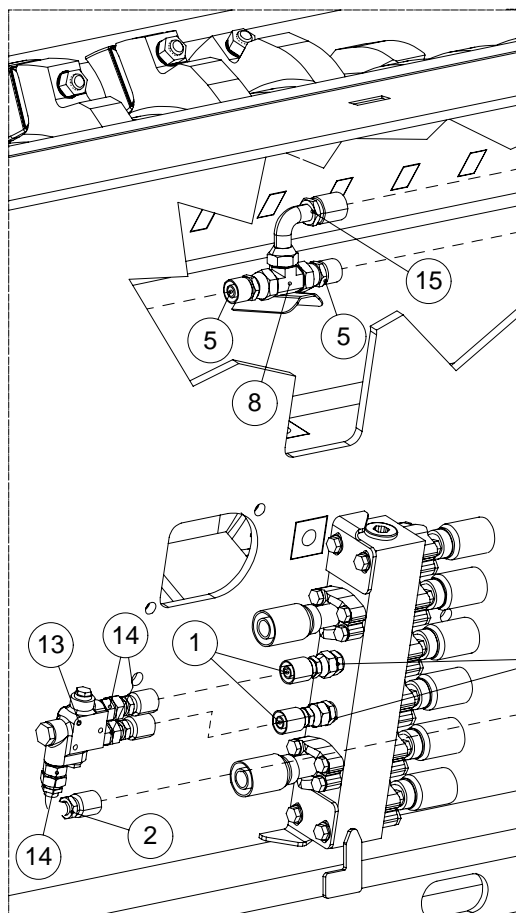
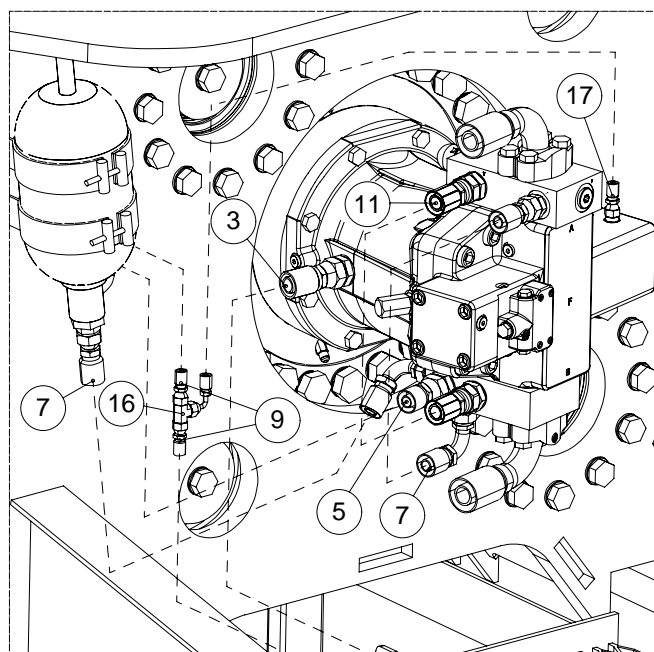
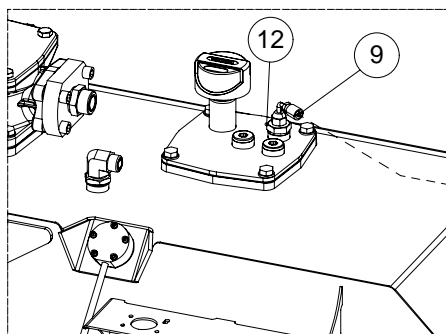
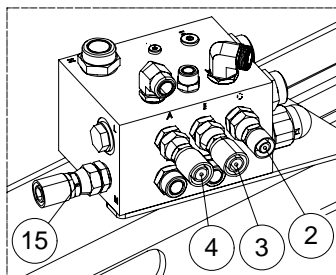
929048

**SN:**  
**Former:**  
**NOTE:**

**Tryckbegränsningsventil**  
**Pressure relief valve**  
**929048**

| No | Part No. | Qty | Delens benämning        | Size | Part name             |
|----|----------|-----|-------------------------|------|-----------------------|
| 1  | 929125   | 1   | Ventilblock             |      | Valve block           |
| 2  | 202691   | 1   | Tryckbegränsningsventil |      | Pressure relief valve |
| 3  | 202689   | 1   | Insexplugg              |      | Plug                  |
| 4  | 202690   | 1   | Motventil               |      | Counter valve         |
| 6  | 57OBI221 | 1   | Rak koppling            |      | Fitting               |
| 7  | 57S050   | 1   | Insexplugg              |      | Plug                  |
| 8  | 57OBI201 | 1   | Rak koppling            |      | Fitting               |

929047

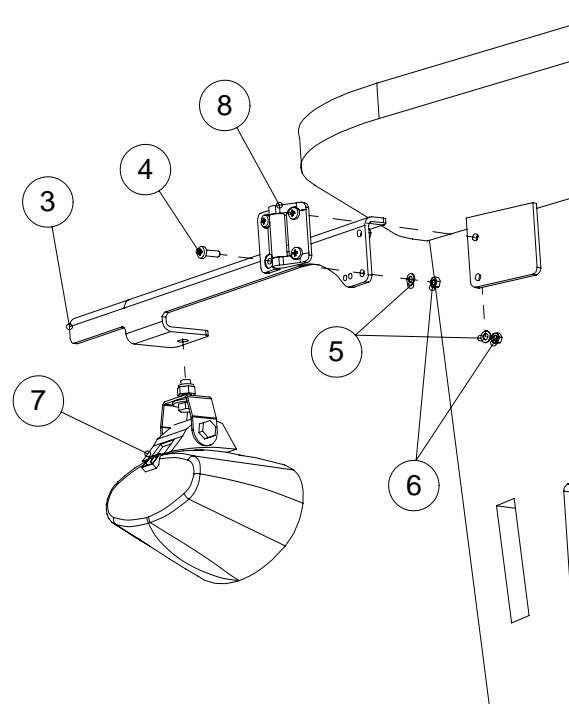
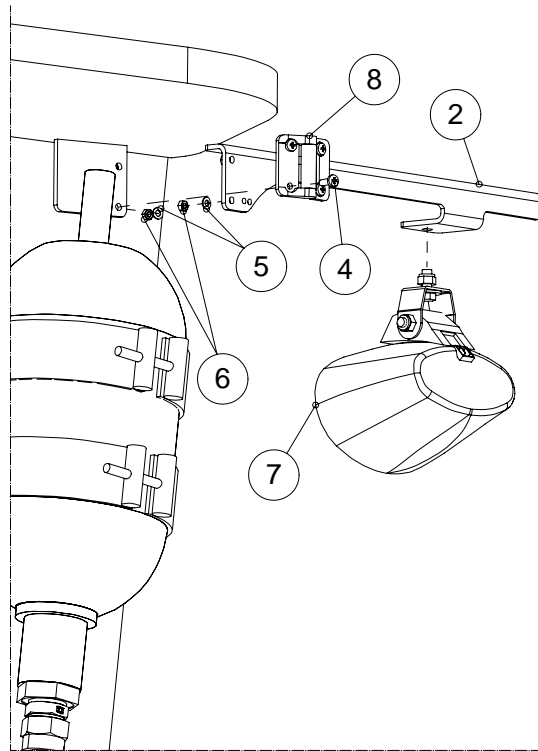
Rear motor  
TakamoottoriFront motor  
Etumoottori

929047

**SN:**  
**Former:**  
**NOTE:**

**Matnings- och spolningskrets**  
**Charge- and flushing hydraulics**  
**929047**

| No | Part No. | Qty | Delens benämning | Size | Part name |
|----|----------|-----|------------------|------|-----------|
| 1  | 919659   | 2   | Slang            |      | Hose      |
| 2  | 919660   | 1   | Slang            |      | Hose      |
| 3  | 924124   | 1   | Slang            |      | Hose      |
| 4  | 924125   | 1   | Slang            |      | Hose      |
| 5  | 919663   | 2   | Slang            |      | Hose      |
| 6  | 919685   | 1   | Slang            |      | Hose      |
| 7  | 911402   | 3   | Slang            |      | Hose      |
| 8  | 57OOT221 | 1   | T-koppling       |      | Union tee |
| 9  | 919828   | 2   | Slang            |      | Hose      |
| 10 | 57OBI201 | 2   | Rak koppling     |      | Fitting   |
| 11 | 929132   | 2   | Slang            |      | Hose      |
| 12 | 57OBI085 | 1   | Rak koppling     |      | Fitting   |
| 13 | 200514   | 1   | Spolningsventil  |      | Valve     |
| 14 | 200515   | 3   | Rak koppling     |      | Fitting   |
| 15 | 919781   | 1   | Slang            |      | Hose      |
| 16 | 57OOT081 | 1   | T-koppling       |      | Union tee |
| 17 | 916051   | 1   | Slang            |      | Hose      |

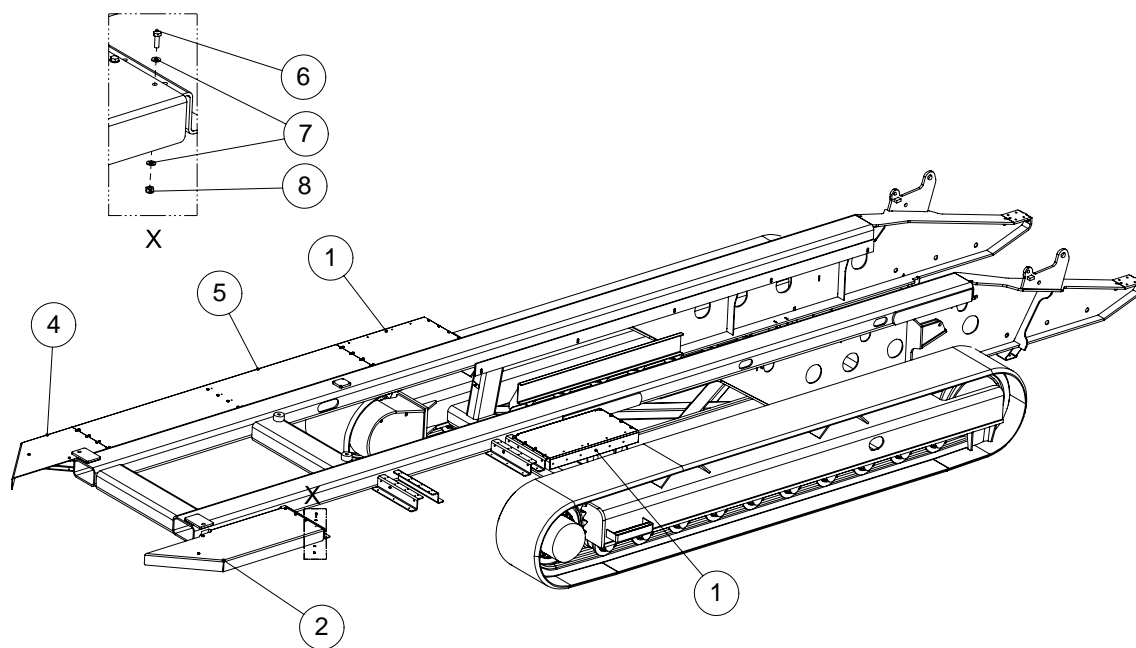


925165

**SN:**  
**Former:**  
**NOTE:**

**Arbetsljus**  
**Work light**  
**925165**

| No | Part No. | Qty | Delens benämning      | Size           | Part name  |
|----|----------|-----|-----------------------|----------------|------------|
| 2  | 925166   | 1   | Skaft                 |                | Rod        |
| 3  | 925160   | 1   | Skaft                 |                | Rod        |
| 4  | 41LG96   | 8   | Spårskruv, krysshuvud | M5x16 DIN7985  | Screw      |
| 5  | 46ADC6   | 8   | Bricka                | M5 DIN 125 Zn  | Washer     |
| 6  | 45AI05   | 8   | Sexkantmutter         | M5 8 DIN934 Zn | Hex nut    |
| 7  | 73E019   | 2   | Arbetsbelysning       |                | Work light |
| 8  | 200148   | 2   | Gångjärn              |                | Hinge      |



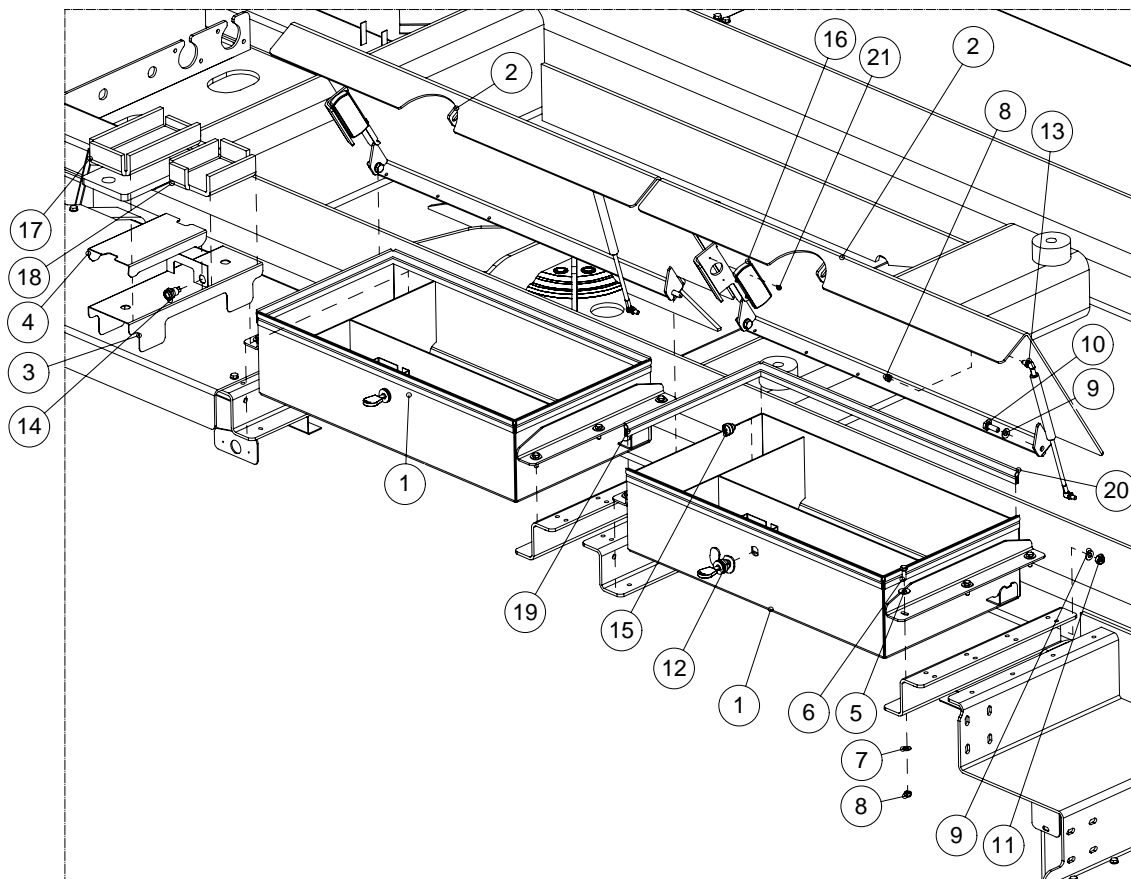


920367aA

**SN:**  
**Former:**  
**NOTE:**

**Montering av plattformar**  
**Service platforms**  
**920367a**

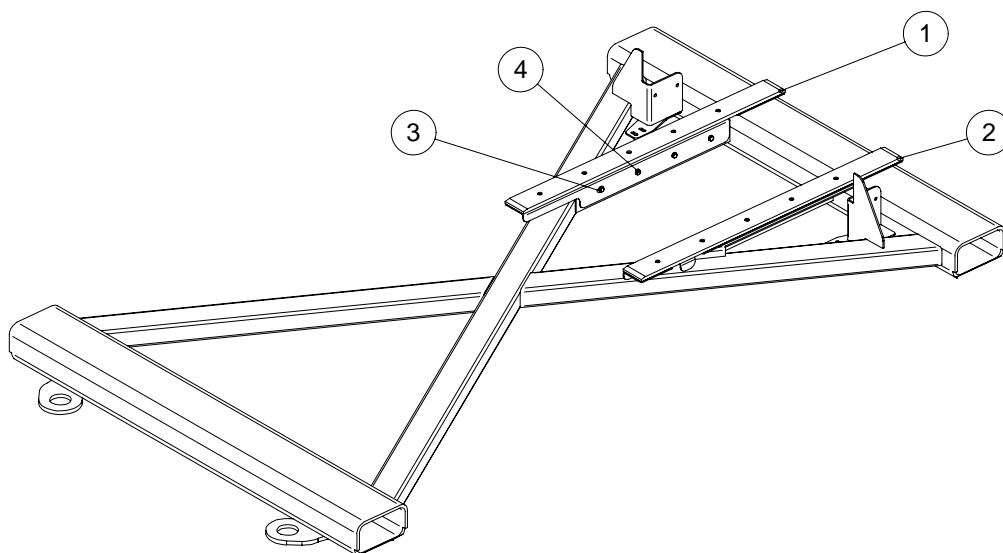
| No | Part No. | Qty | Delens benämning | Size                | Part name        |
|----|----------|-----|------------------|---------------------|------------------|
| 1  | 919610   | 2   | Serviceplattform |                     | Service platform |
| 2  | 920322   | 1   | Serviceplattform |                     | Service platform |
| 4  | 917719   | 1   | Serviceplattform |                     | Service platform |
| 5  | 920323   | 1   | Serviceplattform |                     | Service platform |
| 6  | 41BJ73   | 39  | Sexkantskruv     | M8x25 8.8 DIN933 Zn | Hex bolt         |
| 7  | 46ADE4   | 78  | Bricka           | M8 DIN125 Zn        | Washer           |
| 8  | 45FI08   | 39  | Låsmutter, Nyloc | M8 8 DIN985 Zn      | Lock nut         |



925250

**SN:**  
**Former:**  
**NOTE:****Verkttygslåda**  
**Tool box assembly**  
**925250**

| No | Part No. | Qty | Delens benämning  | Size                 | Part name     |
|----|----------|-----|-------------------|----------------------|---------------|
| 1  | 925251   | 2   | Låda              |                      | Box           |
| 2  | 925258   | 2   | Lock              |                      | Cover         |
| 3  | 925260   | 1   | Hylla             |                      | Shelf         |
| 4  | 920446   | 1   | Undergolv         |                      | Plate         |
| 5  | 46EDF2   | 12  | Karosseribricka   | M8x24 DIN9021 Zn     | Washer        |
| 6  | 41BJ73   | 12  | Sexkantskruv      | M8x25 8.8 DIN933 Zn  | Hex bolt      |
| 7  | 46ADE4   | 12  | Bricka            | M8 DIN125 Zn         | Washer        |
| 8  | 45FI08   | 14  | Låsmutter, Nyloc  | M8 8 DIN985 Zn       | Lock nut      |
| 9  | 46ADE9   | 8   | Bricka            | M10 DIN125 Zn        | Washer        |
| 10 | 41BL11   | 4   | Sexkantskruv      | M10x30 8.8 DIN933 Zn | Hex bolt      |
| 11 | 45FI10   | 4   | Låsmutter         | M10 8 DIN985 Zn      | Lock nut      |
| 12 | 924873   | 2   | Lås               |                      | Lock          |
| 13 | 200677   | 2   | Gasfjäder         |                      | Gas spring    |
| 14 | 73N022   | 1   | Uttag             |                      | Socket        |
| 15 | 52F207   | 2   | Genomföringsgummi |                      | Bulkhead seal |
| 16 | 917882   | 2   | Framljus          |                      | Front light   |
| 17 | 920602   | 1   | Stoppning         |                      | Cushion       |
| 18 | 920603   | 1   | Stoppning         |                      | Cushion       |
| 19 | 925284   | 4   | Tätning           |                      | Sealing       |
| 20 | 925285   | 4   | Tätning           |                      | Sealing       |
| 21 | 200186   | 4   | Plåtskruv         |                      | Screw         |

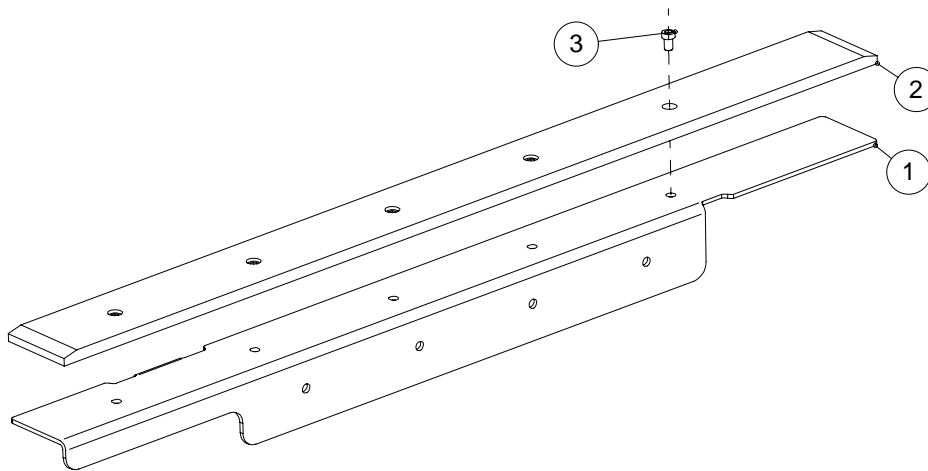


926820aA

**SN:**  
**Former:**  
**NOTE:**

**Glidskena**  
**Slide rail**  
**926820a**

| No | Part No. | Qty | Delens benämning | Size                 | Part name      |
|----|----------|-----|------------------|----------------------|----------------|
| 1  | 928774   | 1   | Stöd, vänster    |                      | Support, left  |
| 2  | 928819   | 1   | Stöd, höger      |                      | Support, right |
| 3  | 46ADE9   | 16  | Bricka           | M10 DIN125 Zn        | Washer         |
| 4  | 41BL11   | 8   | Sexkantskruv     | M10x30 8.8 DIN933 Zn | Hex bolt       |

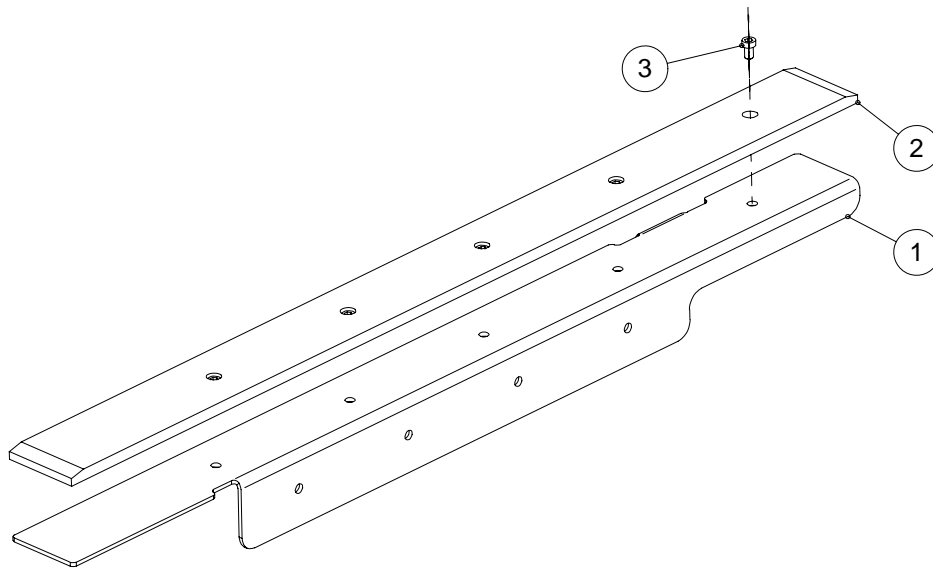


928774

**SN:**  
**Former:**  
**NOTE:**

**Stöd, vänster**  
**Support, left**  
**928774**

| No | Part No. | Qty | Delens benämning | Size                  | Part name   |
|----|----------|-----|------------------|-----------------------|-------------|
| 1  | 928777   | 1   | U-profil         |                       | U-profile   |
| 2  | 928775   | 1   | Glidplatta       |                       | Slide plate |
| 3  | 200468   | 5   | Insexskruv       | M10x16 8.8 DIN6912 Zn | Allen screw |



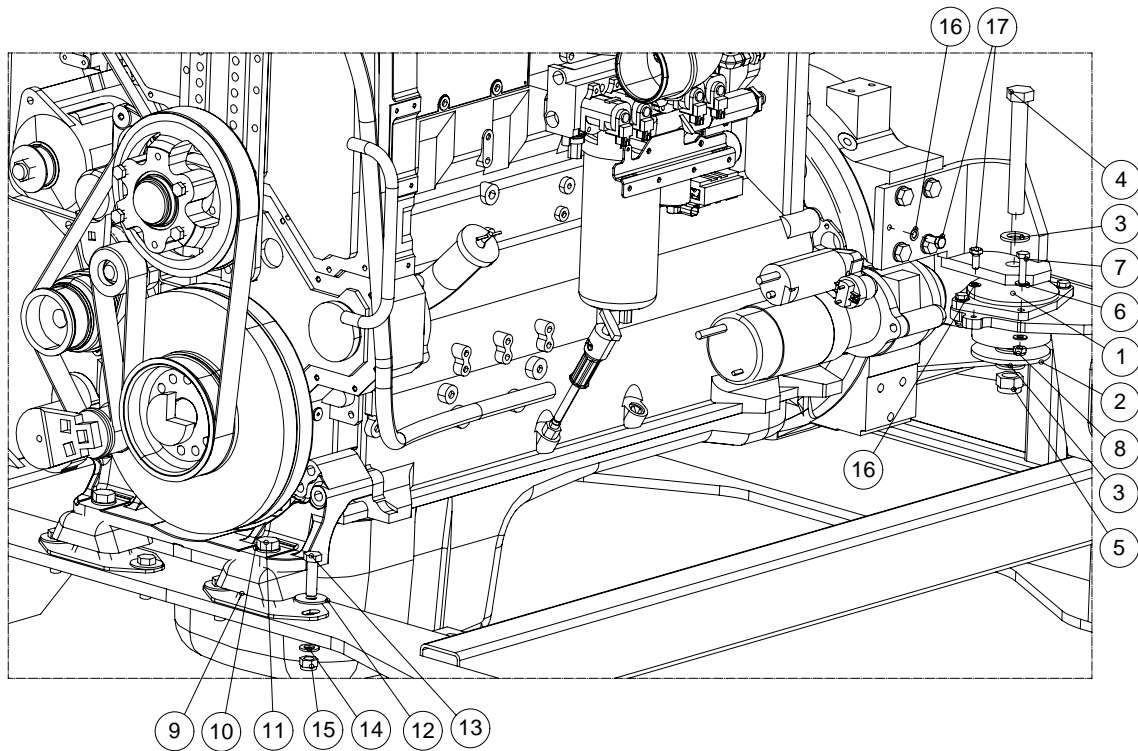


928819

**SN:**  
**Former:**  
**NOTE:**

**Stöd, höger**  
**Support, right**  
**928819**

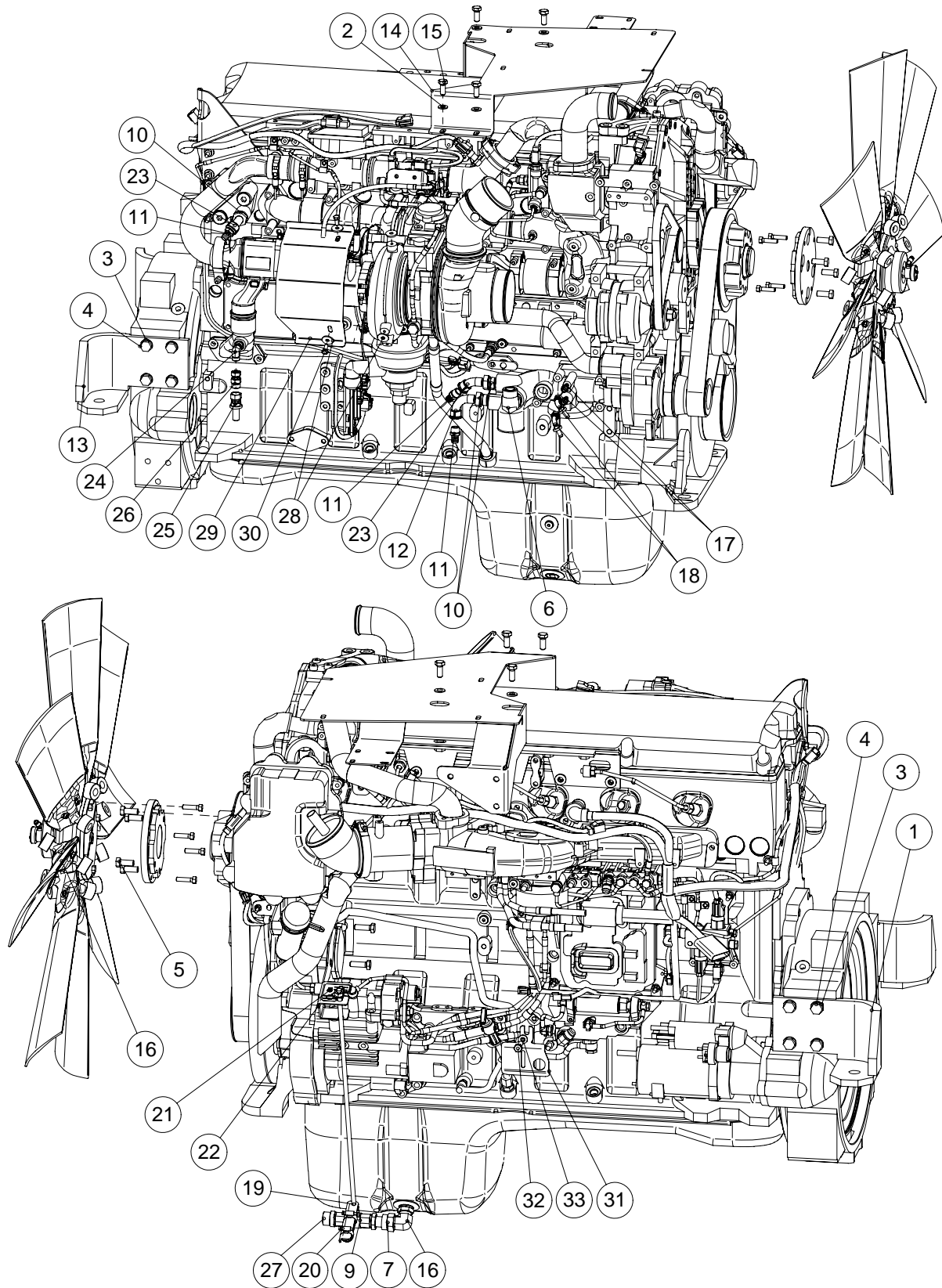
| No | Part No. | Qty | Delens benämning | Size                  | Part name   |
|----|----------|-----|------------------|-----------------------|-------------|
| 1  | 928818   | 1   | U-profil         |                       | U-profile   |
| 2  | 928775   | 1   | Glidplatta       |                       | Slide plate |
| 3  | 200468   | 5   | Insexskruv       | M10x16 8.8 DIN6912 Zn | Allen screw |



## 922530aA

**SN:**  
**Former:**  
**NOTE:****Montering av motor**  
**Engine mounting**  
**922530a**

| No | Part No. | Qty | Delens benämning  | Size                 | Part name        |
|----|----------|-----|-------------------|----------------------|------------------|
| 1  | 53B141   | 2   | Vibrationsdämpare |                      | Vibration damper |
| 2  | 911928   | 2   | Underplatta       |                      | Plate            |
| 3  | 46ADH8   | 4   | Bricka            | M24 DIN 125 Zn       | Washer           |
| 4  | 40A101   | 2   | Sexkantskruv      | M24x180 8.8 DIN931   | Hex bolt         |
| 5  | 45FI24   | 2   | Låsmutter, Nyloc  | M24 8 DIN985 Zn      | Lock nut         |
| 6  | 46ADE9   | 16  | Bricka            | M10 DIN125 Zn        | Washer           |
| 7  | 41AL16   | 8   | Sexkantskruv      | M10x45 8.8 DIN931 Zn | Hex bolt         |
| 8  | 45FI10   | 8   | Låsmutter         | M10 8 DIN985 Zn      | Lock nut         |
| 9  | 53B150   | 2   | Vibrationsdämpare |                      | Vibration damper |
| 10 | 46ADH6   | 2   | Bricka            | M20 DIN 125 Zn       | Washer           |
| 11 | 41BR26   | 2   | Sexkantskruv      | M20x55 8.8 DIN933 Zn | Hex bolt         |
| 12 | 46EDG6   | 4   | Karosseribricka   | M16x45 DIN6340 Zn    | Washer           |
| 13 | 41AN90   | 4   | Sexkantskruv      | M16x55 8.8 DIN931 Zn | Hex bolt         |
| 14 | 46ADG8   | 4   | Bricka            | M16 DIN125 Zn        | Washer           |
| 15 | 45FI16   | 4   | Låsmutter, Nyloc  | M16 DIN985 Zn        | Lock nut         |
| 16 | 46RDE9   | 2   | Stjärnbricka      | M10 DIN6798 A Zn     | Star washer      |
| 17 | 41BL09   | 2   | Sexkantskruv      | M10x25 8.8 DIN933 Zn | Hex bolt         |



926141

**SN:**  
**Former:**  
**NOTE:****Motorns utrustning**  
**Engine equipment**  
**926141**

| No | Part No.  | Qty | Delens benämning     | Size                  | Part name      |
|----|-----------|-----|----------------------|-----------------------|----------------|
| 1  | 910550    | 1   | Fäste                |                       | Engine mount   |
| 2  | 46ADF7    | 4   | Bricka               | M12 DIN125 Zn         | Washer         |
| 3  | 46ADG8    | 8   | Bricka               | M16 DIN125 Zn         | Washer         |
| 4  | 40CN17    | 8   | Insexskruv           | UNC 5/8x1.3/4         | Hex bolt       |
| 5  | 41CL77    | 4   | Insexskruv           | UNC 1/2x 1.1/4 8.8 Zn | Hex bolt       |
| 6  | 57OIL222  | 1   | Koppling             |                       | Fitting        |
| 7  | 57OBI181V | 1   | Gängkoppling         |                       | Fitting        |
| 8  | 57OIL182  | 1   | Rak koppling         |                       | Fitting        |
| 9  | 55A150    | 1   | 2-vägs kulventil     |                       | Two-way valve  |
| 10 | 57C210    | 3   | Förminskningssockel  |                       | Reducer        |
| 11 | 57E708    | 3   | Slangkoppling        |                       | Fitting        |
| 12 | 54C320    | 1   | Rörböj               |                       | Pipe curve     |
| 13 | 910548    | 1   | Fäste                |                       | Engine mount   |
| 14 | 926754    | 1   | Ställ                |                       | Bracket        |
| 15 | 41BM47    | 4   | Sexkantskruv         | M12x30 8.8 DIN933 Zn  | Hex bolt       |
| 16 | 202071    | 1   | Fläkt                |                       | Fan            |
| 17 | 202103    | 2   | Rak koppling         |                       | Fitting        |
| 18 | 202104    | 2   | Slangkoppling        |                       | Hose connector |
| 19 | 926871    | 1   | Förlängningshandtag  |                       | Handle         |
| 20 | 48B019    | 2   | Slangklämma          |                       | Hose clamp     |
| 21 | 926855    | 1   | Anvisningsdekal      |                       | Sticker        |
| 22 | 926863    | 1   | Stödplatta           |                       | Support plate  |
| 23 | 54C310    | 2   | Rörböj               |                       | Pipe curve     |
| 24 | 201011    | 1   | Vinkelskarv          |                       | Fitting        |
| 25 | 202159    | 1   | Slangkoppling        |                       | Hose connector |
| 26 | 202158    | 1   | Reduceringskoppling  |                       | Fitting        |
| 27 | 57OBI201  | 1   | Rak koppling         |                       | Fitting        |
| 28 | 201147    | 4   | Bricka               | M8 DIN440 Zn          | Washer         |
| 29 | 928009    | 1   | Värmestrålningsskydd |                       | Heat shield    |
| 30 | 41BJ71    | 2   | Sexkantskruv         | M8x20 8.8 DIN933 Zn   | Hex bolt       |
| 31 | 928055    | 1   | Fästplatta           |                       | Bracket        |
| 32 | 41BL13    | 1   | Sexkantskruv         | M10x35 8.8 DIN933 Zn  | Hex bolt       |
| 33 | 46ADE9    | 1   | Bricka               | M10 DIN125 Zn         | Washer         |

**NO PICTURE AVAILABLE**

171211  
ett09258

Tana SHARK 440DTeco

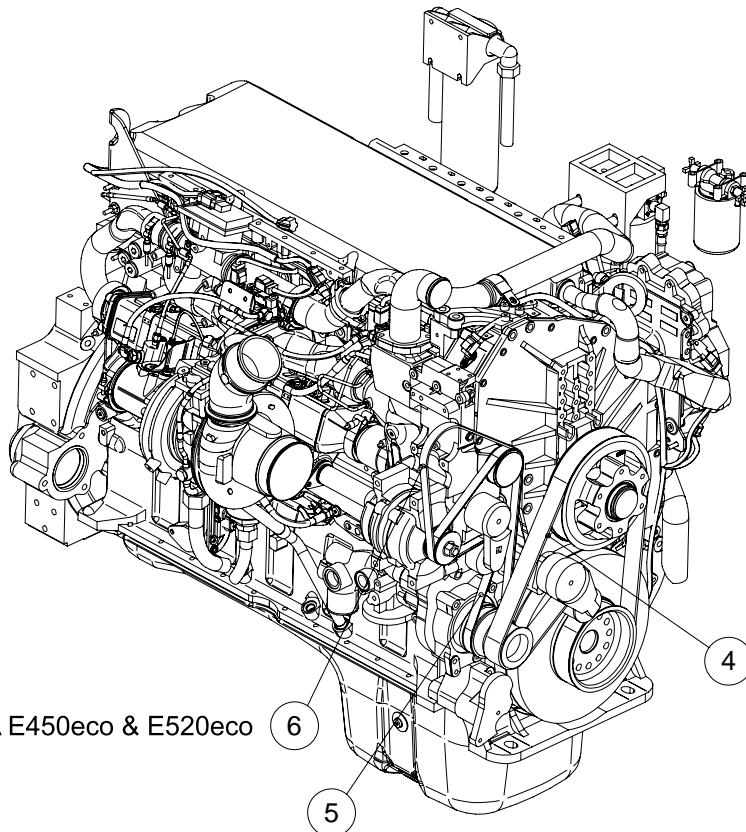
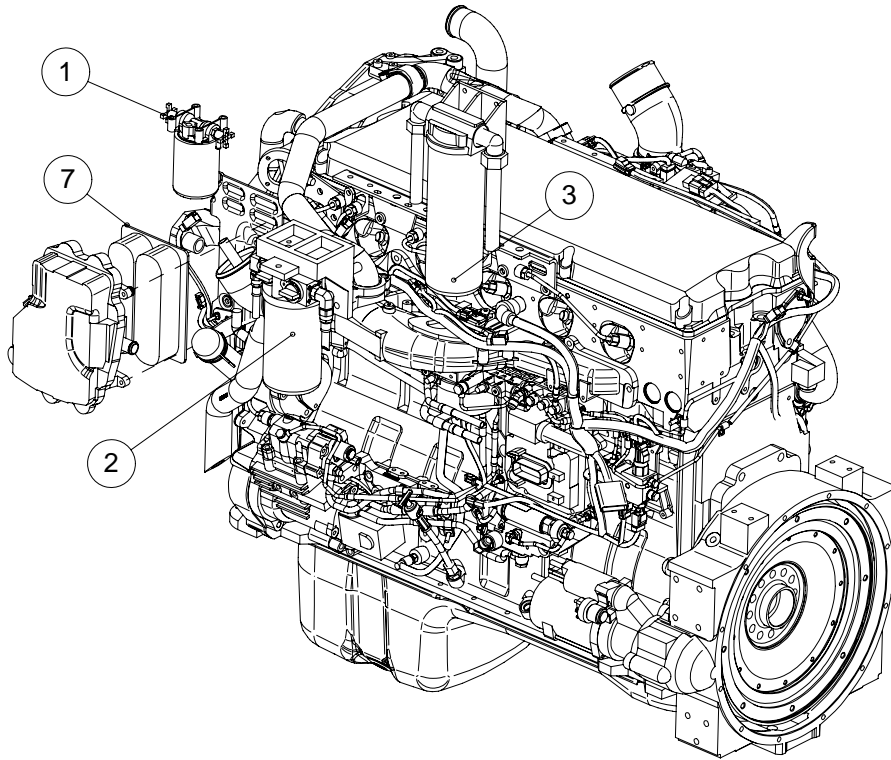
C210

202071

**SN:**  
**Former:**  
**NOTE:**

**Fläkt**  
**Fan**  
**202071**

| No | Part No. | Qty | Delens benämning           | Size | Part name             |
|----|----------|-----|----------------------------|------|-----------------------|
| 1  | 201598   |     | Fläktblad, reparationssats |      | Fan blade, repair kit |



TANA E450eco & E520eco

TANA Shark eco -models, Tana BioChipper

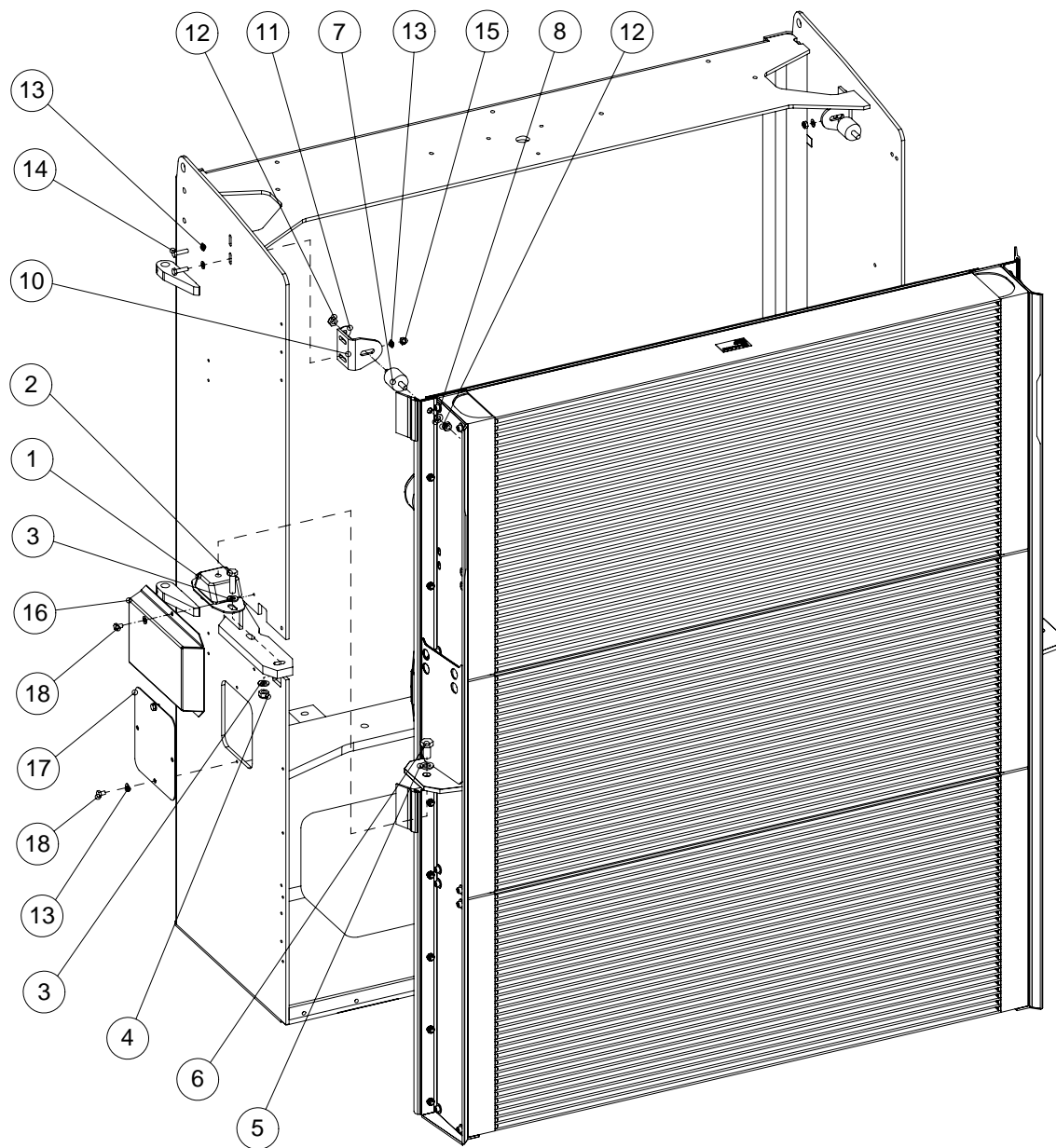


201992dD

**SN:**  
**Former:**  
**NOTE:**

**Dieselmotor**  
**Diesel engine**  
**201992d**

| No | Part No. | Qty | Delens benämning              | Size | Part name                         |
|----|----------|-----|-------------------------------|------|-----------------------------------|
| 1  | 202220   | 1   | Kylvätskefilter               |      | Coolant filter                    |
| 2  | 202639   | 1   | Bränslefilter                 |      | Fuel filter                       |
| 3  | 201653   | 1   | Oljefilter                    |      | Filter, engine oil                |
| 4  | 202223   | 1   | Flerspårsrem, fläkt           |      | Belt, fan                         |
| 5  | 202224   | 1   | Flerspårsrem, hjälputrustning |      | Belt, accessories                 |
| 6  | 202152   |     | Flerspårsrem                  |      | Belt                              |
| 7  | 202310   | 1   | Flämtventilfilter, vevhus     |      | Breather element                  |
| 8  | 202803   | 1   | Kablage, givare i luftfilter  |      | Wiring harness, air filter sensor |



922532dD

**SN:**  
**Former:**  
**NOTE:****Montering av kylare**  
**Cooler assembly**  
**922532d**

| No | Part No. | Qty | Delens benämning  | Size                 | Part name        |
|----|----------|-----|-------------------|----------------------|------------------|
| 1  | 200891   | 2   | Vibrationsdämpare |                      | Vibration damper |
| 2  | 41BM52   | 4   | Sexkantskruv      | M12x45 8.8 DIN933 Zn | Hex bolt         |
| 3  | 46ADF7   | 8   | Bricka            | M12 DIN125 Zn        | Washer           |
| 4  | 45FI12   | 4   | Låsmutter, Nyloc  | M12 8 DIN985 Zn      | Lock nut         |
| 5  | 46ADG8   | 2   | Bricka            | M16 DIN125 Zn        | Washer           |
| 6  | 41BN85   | 2   | Sexkantskruv      | M16x35 8.8 DIN933 Zn | Hex bolt         |
| 7  | 200892   | 2   | Vibrationsdämpare |                      | Vibration damper |
| 8  | 46ADE9   | 2   | Bricka            | M10 DIN125 Zn        | Washer           |
| 10 | 922533   | 2   | Hållare           |                      | Bracket          |
| 11 | 46EDF3   | 2   | Karosseribricka   | M10x30 DIN9021 Zn    | Washer           |
| 12 | 45FI10   | 4   | Låsmutter         | M10 8 DIN985 Zn      | Lock nut         |
| 13 | 46ADE4   | 16  | Bricka            | M8 DIN125 Zn         | Washer           |
| 14 | 41BJ75   | 4   | Sexkantskruv      | M8x30 8.8 DIN933 Zn  | Hex bolt         |
| 15 | 45FI08   | 4   | Låsmutter, Nyloc  | M8 8 DIN985 Zn       | Lock nut         |
| 16 | 921217   | 2   | Skyddslock        |                      | Protective cover |
| 17 | 921373   | 2   | Täckplåt          |                      | Cover plate      |
| 18 | 41BJ67   | 8   | Insexskruv        | M8x12 8.8 DIN933 Zn  | Hex bolt         |
| 20 | 34B200   | 1   | Tätning           |                      | Seal             |

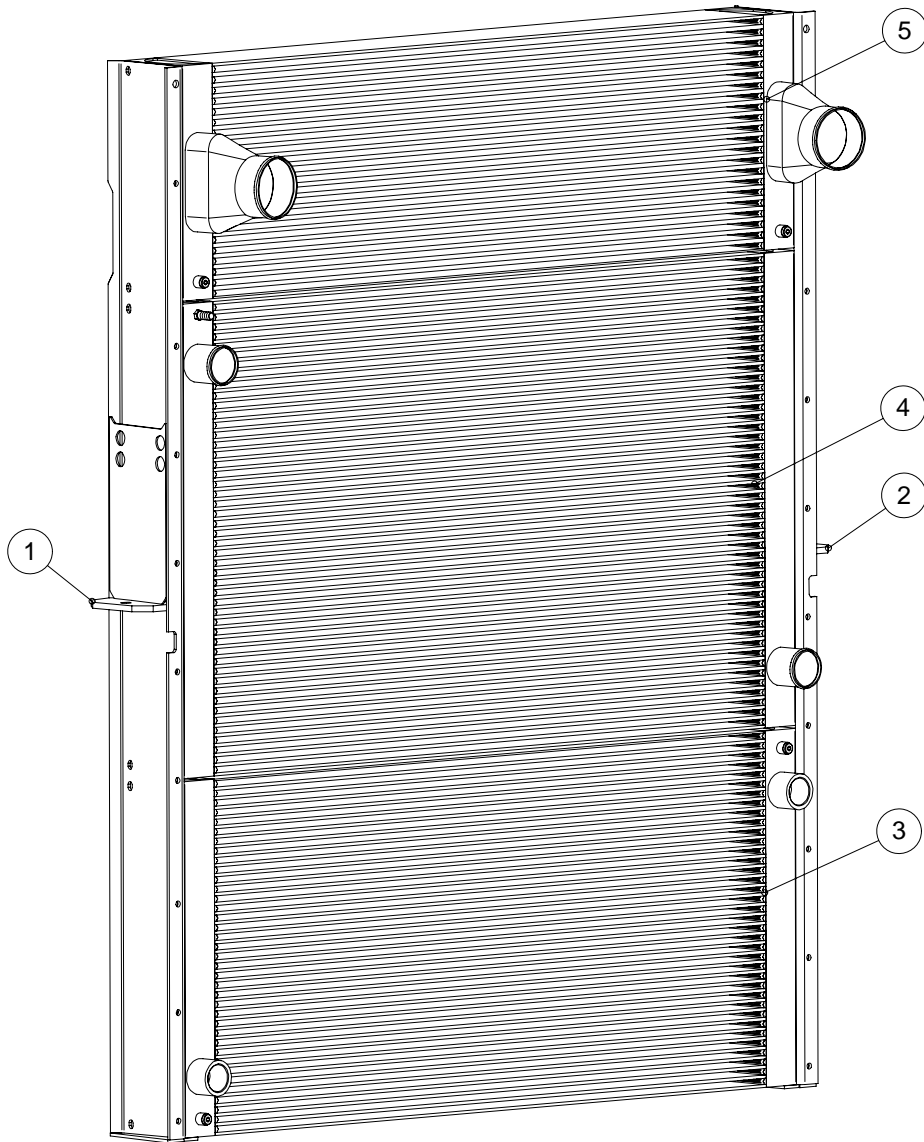


926300aA

**SN:**  
**Former:**  
**NOTE:**

**Kombinationskylare**  
**Cooler**  
**926300a**

| No | Part No. | Qty | Delens benämning   | Size                | Part name   |
|----|----------|-----|--------------------|---------------------|-------------|
| 1  | 57OBI351 | 2   | Rak koppling       |                     | Fitting     |
| 2  | 926425   | 1   | Kombinationskylare |                     | Cooler      |
| 3  | 926697   | 1   | Vindtunnel         |                     | Fan housing |
| 4  | 926786   | 2   | Täckplåt           |                     | Cover plate |
| 5  | 46ADD3   | 6   | Bricka             | M6 DIN125 Zn        | Washer      |
| 6  | 41BI32   | 6   | Sexkantskruv       | M6x16 8.8 DIN933 Zn | Hex bolt    |
| 7  | 46EDF2   | 10  | Karosseribricka    | M8x24 DIN9021 Zn    | Washer      |
| 8  | 41BJ73   | 10  | Sexkantskruv       | M8x25 8.8 DIN933 Zn | Hex bolt    |
| 9  | 34B120   | 2   | Kanttätning        |                     | Edge gasket |
| 10 | 34B120   | 2   | Kanttätning        |                     | Edge gasket |
| 11 | 927284   | 1   | Skiva              |                     | Plate       |
| 12 | 927289   | 2   | Skiva              |                     | Plate       |
| 13 | 927290   | 1   | Skiva              |                     | Plate       |
| 14 | 34B200   | 2   | Tätning            |                     | Seal        |
| 15 | 34B200   | 2   | Tätning            |                     | Seal        |

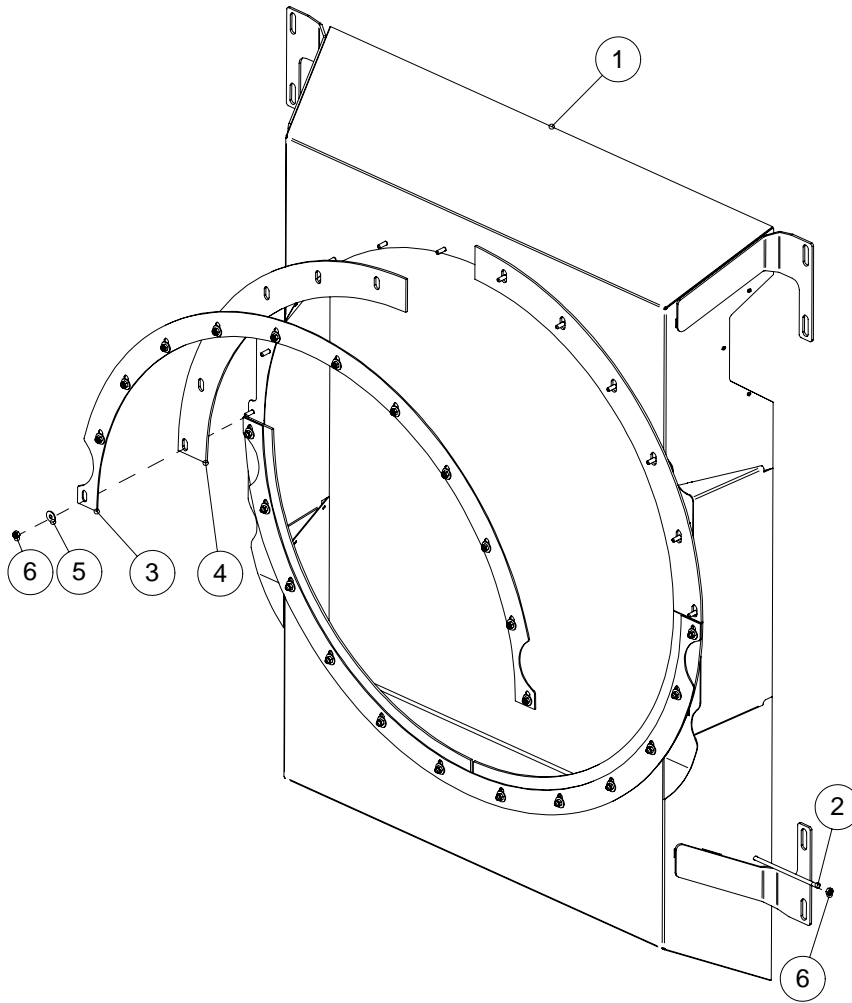


926425

**SN:**  
**Former:**  
**NOTE:**

**Kombinationskylare  
Cooler  
926425**

| No | Part No. | Qty | Delens benämning | Size | Part name   |
|----|----------|-----|------------------|------|-------------|
| 1  | 922384   | 1   | Sidbalk          |      | Beam        |
| 2  | 922382   | 1   | Sidbalk          |      | Beam        |
| 3  | 924361   | 1   | Kylarcell        |      | Cooler cell |
| 4  | 926680   | 1   | Kylarcell        |      | Cooler cell |
| 5  | 926682   | 1   | Kylarcell        |      | Cooler cell |



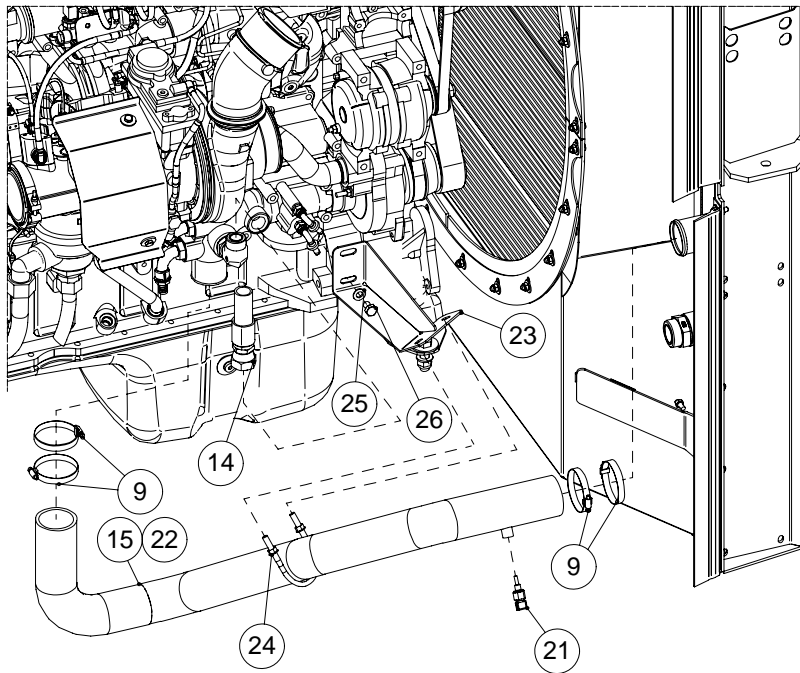
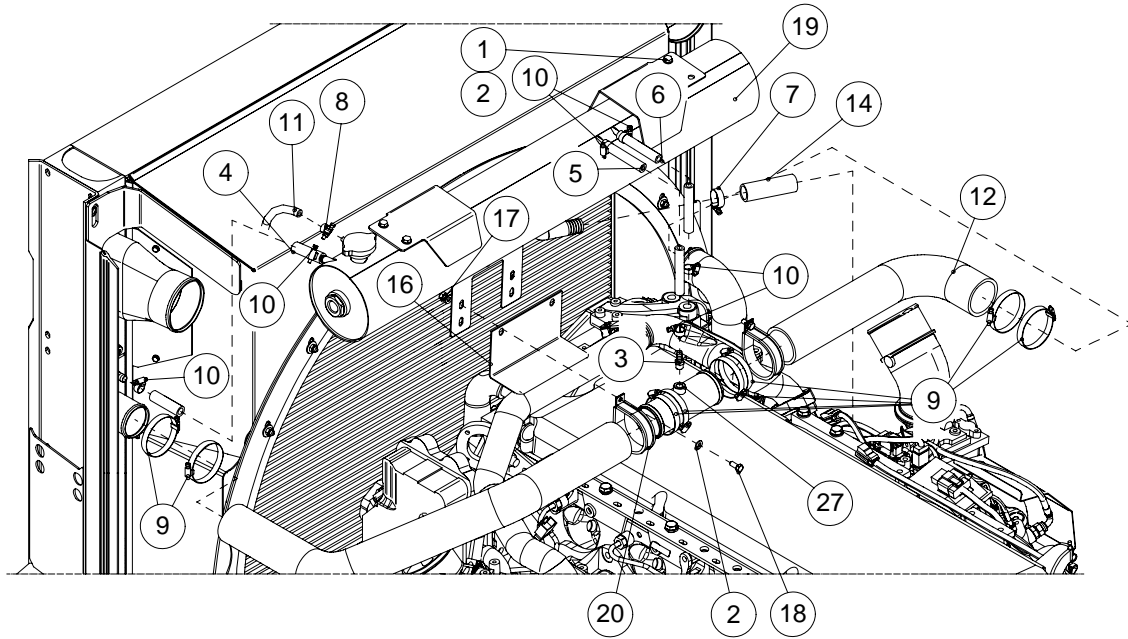


926697

**SN:**  
**Former:**  
**NOTE:**

**Vindtunnel**  
**Fan housing**  
**926697**

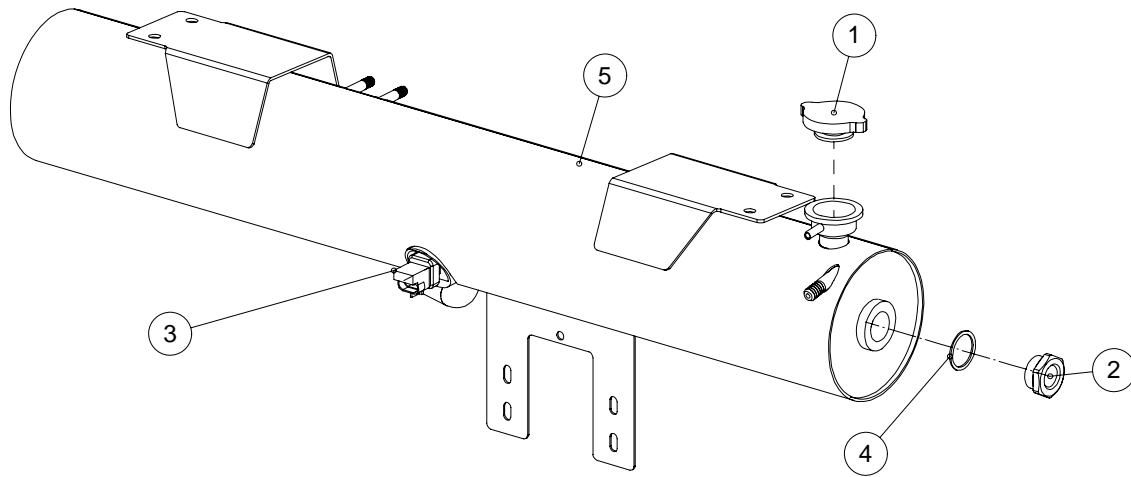
| No | Part No. | Qty | Delens benämning | Size             | Part name     |
|----|----------|-----|------------------|------------------|---------------|
| 1  | 926700   | 1   | Vindtunnel       |                  | Fan housing   |
| 2  | 924008   | 1   | Stöd             |                  | Support       |
| 3  | 926765   | 2   | Fästplatta       |                  | Fixing plate  |
| 4  | 926766   | 4   | Fyllnadsplåt     |                  | Sealing plate |
| 5  | 46EDF2   | 24  | Karosseribricka  | M8x24 DIN9021 Zn | Washer        |
| 6  | 45FI08   | 26  | Låsmutter, Nyloc | M8 8 DIN985 Zn   | Lock nut      |



926149bB

**SN:**  
**Former:**  
**NOTE:****Vattenkylningsssystem**  
**Water-cooling system**  
**926149b**

| No | Part No. | Qty | Delens benämning       | Size                 | Part name                 |
|----|----------|-----|------------------------|----------------------|---------------------------|
| 1  | 41BJ69   | 4   | Sexkantskruv           | M8x16 8.8 DIN933 Zn  | Hex bolt                  |
| 2  | 46ADE4   | 8   | Bricka                 | M8 DIN125 Zn         | Washer                    |
| 3  | 55C100   | 1   | Slangkoppling          |                      | Fitting                   |
| 4  | 59E219   | 1   | Slang                  |                      | Hose                      |
| 5  | 59E218   | 1   | Slang                  |                      | Hose                      |
| 6  | 59E218   | 1   | Slang                  |                      | Hose                      |
| 7  | 48B026   | 1   | Slangklämna            |                      | Hose clamp                |
| 8  | 48B011   | 1   | Slangklämna            |                      | Hose clamp                |
| 9  | 48B068   | 12  | Slangklämna            |                      | Hose clamp                |
| 10 | 48B013   | 6   | Slangklämna            |                      | Hose clamp                |
| 11 | 911896   | 1   | Slang                  |                      | Hose                      |
| 12 | 929863   | 1   | Slang                  |                      | Hose                      |
| 14 | 926847   | 1   | Slang                  |                      | Hose                      |
| 15 | 926848   | 1   | Slang                  |                      | Hose                      |
| 16 | 926569   | 1   | Stödplåt               |                      | Support plate             |
| 17 | 45FI08   | 2   | Låsmutter, Nyloc       | M8 8 DIN985 Zn       | Lock nut                  |
| 18 | 41BJ71   | 2   | Sexkantskruv           | M8x20 8.8 DIN933 Zn  | Hex bolt                  |
| 19 | 925151   | 1   | Expansionskärl         |                      | Expansion tank            |
| 20 | 202137   | 2   | Slangförband           |                      | Hose strap                |
| 21 | 73B074   | 1   | Temperaturgivare       |                      | Temperature sensor        |
| 22 | 202082   | 1   | Isoleringsstrumpa      |                      | Thermal insulation sleeve |
| 23 | 928225   | 1   | Skiva                  |                      | Plate                     |
| 24 | 202336   | 1   | Spännare till avgasrör |                      | Exhaust pipe clamp        |
| 25 | 46ADF7   | 2   | Bricka                 | M12 DIN125 Zn        | Washer                    |
| 26 | 41BM43   | 2   | Sexkantskruv           | M12x20 8.8 DIN933 Zn | Hex bolt                  |
| 27 | 929858   | 1   | Rörskarv               |                      | Hose adapter              |



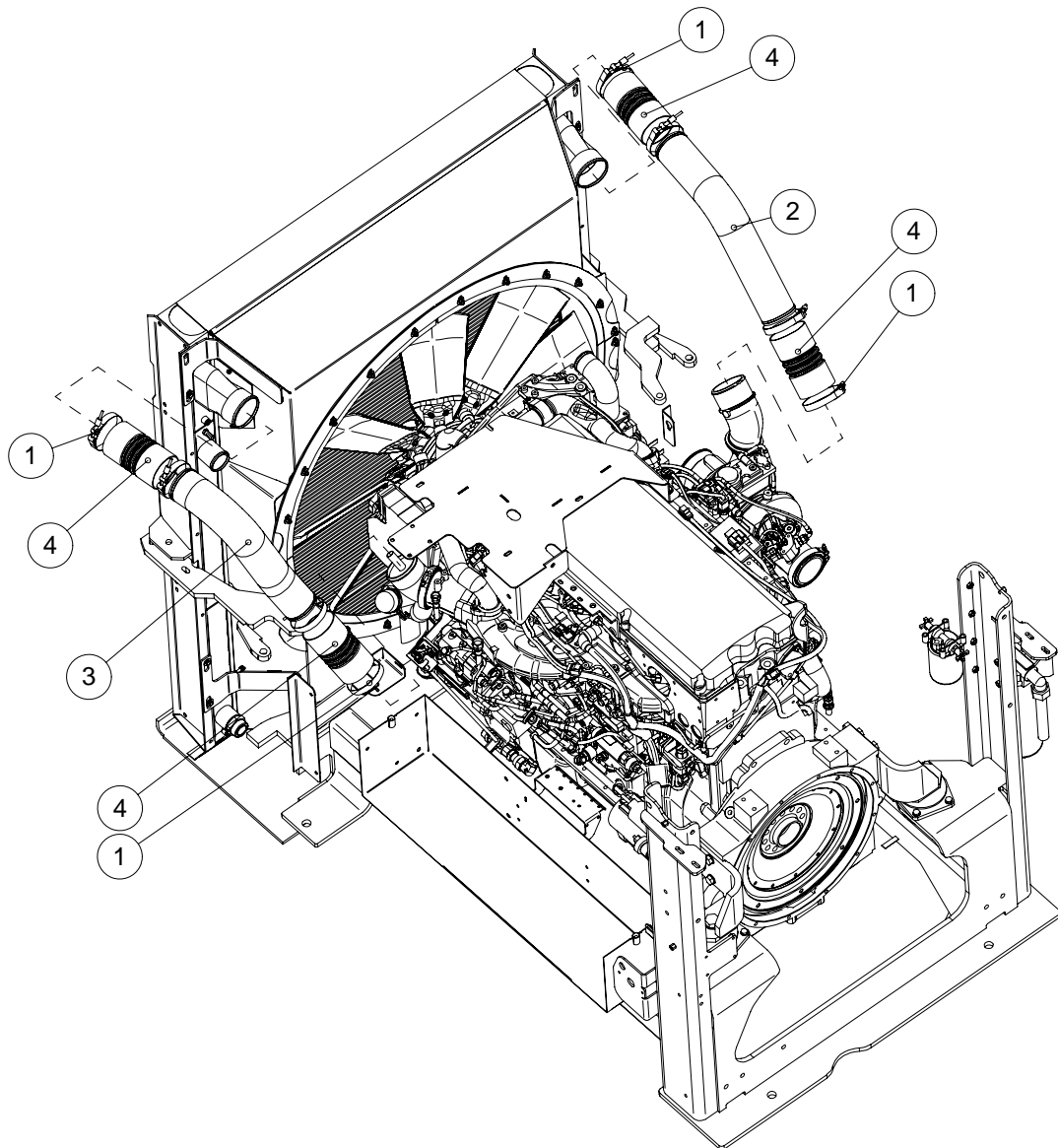
925151aA

**SN:**  
**Former:**  
**NOTE:**

**Expansionskärl**  
**Expansion tank**  
**925151a**

| No | Part No. | Qty | Delens benämning | Size | Part name      |
|----|----------|-----|------------------|------|----------------|
| 1  | 202494   | 1   | Lock             |      | Cap            |
| 2  | 200551   | 1   | Nivåglas         |      | Sight glass    |
| 3  | 201090   | 1   | Givare           |      | Sensor         |
| 4  | 200552   | 1   | Tätning          |      | Seal           |
| 5  | 925064   | 1   | Expansionskärl   |      | Expansion tank |

926234

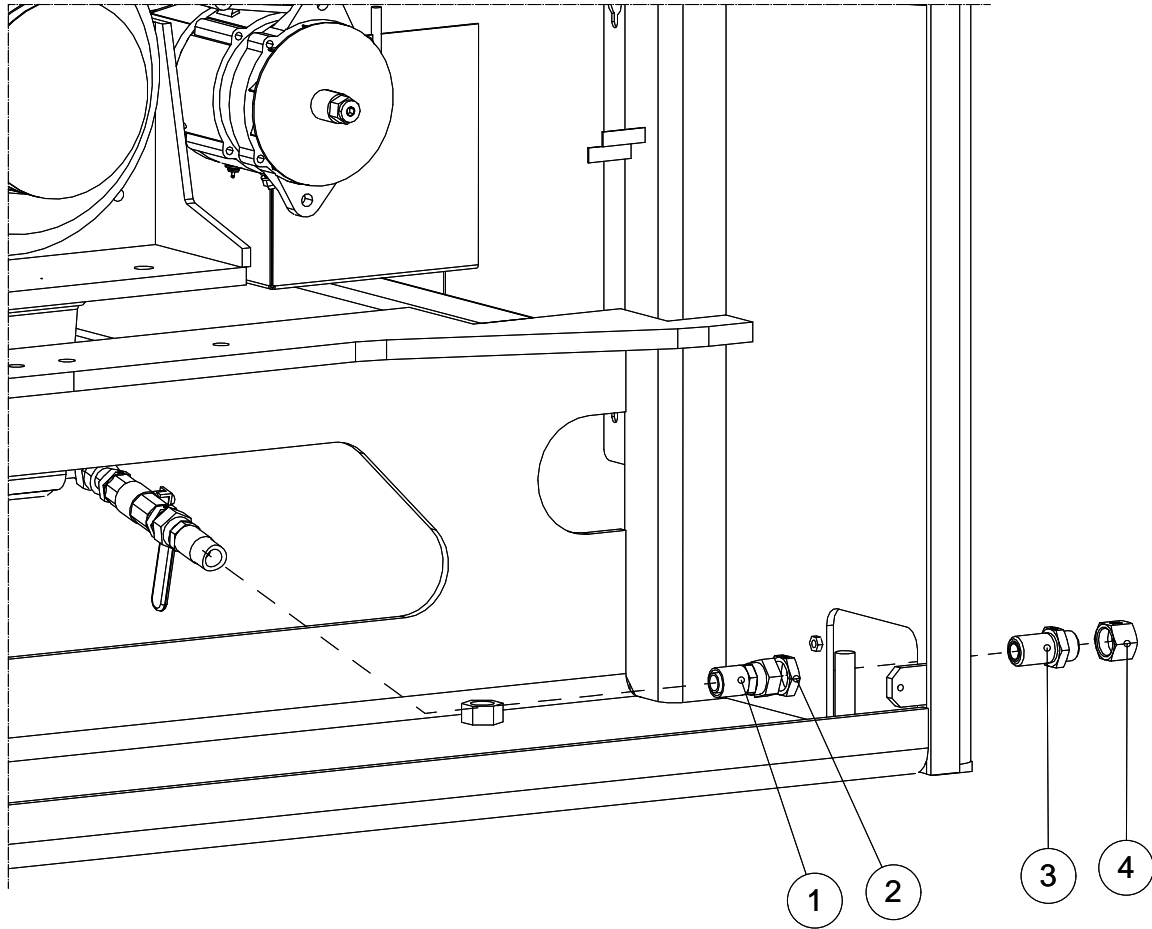


926234

**SN:**  
**Former:**  
**NOTE:**

**Mellankylsystem**  
**Intercooler system**  
**926234**

| No | Part No. | Qty | Delens benämning | Size | Part name  |
|----|----------|-----|------------------|------|------------|
| 1  | 59E700   | 8   | Slangklämma      |      | Hose clamp |
| 2  | 926250   | 1   | Luftningsrör     |      | Air pipe   |
| 3  | 926308   | 1   | Luftningsrör     |      | Air pipe   |
| 4  | 59E600   | 4   | Slang            |      | Hose       |



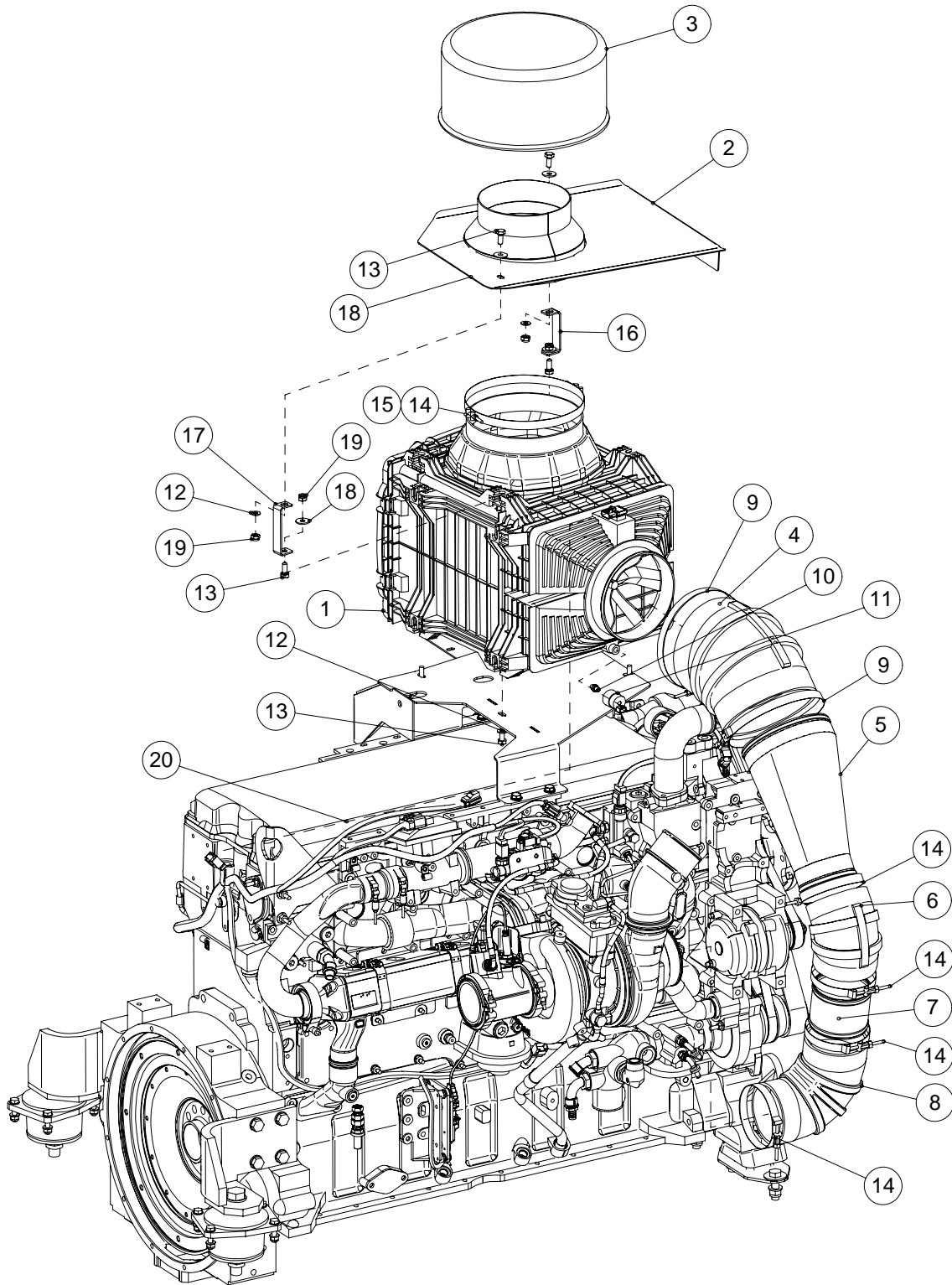


917859

**SN:**  
**Former:**  
**NOTE:**

**Tömning av motorolja**  
**Engine oil drain line**  
**917859**

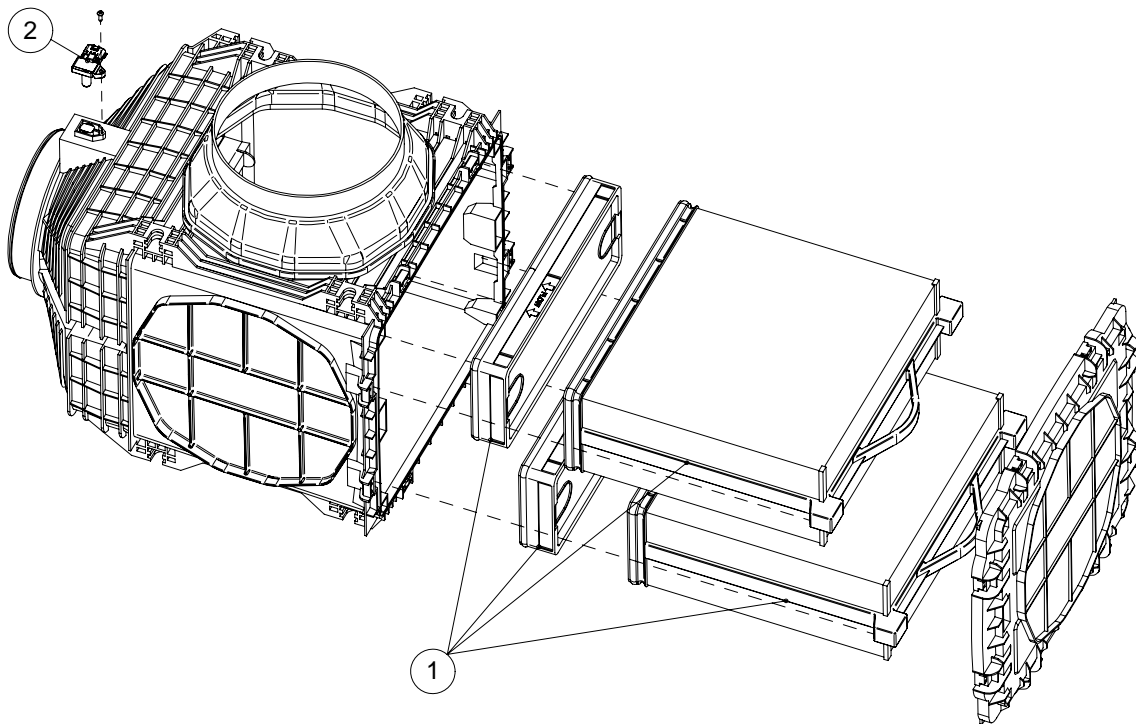
| No | Part No.  | Qty | Delens benämning     | Size | Part name        |
|----|-----------|-----|----------------------|------|------------------|
| 1  | 916138    | 1   | Tömningsslang        |      | Hose             |
| 2  | 57005LOCK | 1   | Kontramutter         |      | Bulkhead locknut |
| 3  | 5700I181B | 1   | Genomföringskoppling |      | Bulkhead union   |
| 4  | 200119    | 1   | Hattplugg            |      | Plug             |



926959aA

**SN:**  
**Former:**  
**NOTE:****Montering av luftfilter**  
**Air filter assembly**  
**926959a**

| No | Part No. | Qty | Delens benämning             | Size                 | Part name                         |
|----|----------|-----|------------------------------|----------------------|-----------------------------------|
| 1  | 201990   | 1   | Luftfilter                   |                      | Air filter                        |
| 2  | 926924   | 1   | Reduceringshylsa             |                      | Reducer                           |
| 3  | 58H180   | 1   | Förfilter                    |                      | Centrifugal air precleaner        |
| 4  | 202156   | 1   | Gummislang                   |                      | Rubber hose                       |
| 5  | 926944   | 1   | Reduceringshylsa             |                      | Reducer                           |
| 6  | 201259   | 1   | Rörbøj                       |                      | Pipe bend                         |
| 7  | 926948   | 1   | Rör                          |                      | Pipe                              |
| 8  | 58H333   | 1   | Hörn                         |                      | Elbow                             |
| 9  | 48B199   | 2   | Slangklämma                  |                      | Hose clamp                        |
| 10 | 202168   | 1   | Rak koppling                 |                      | Fitting                           |
| 11 | 58H153   | 1   | Förstockningsindikator       |                      | Choked indicator                  |
| 12 | 46ADE9   | 6   | Bricka                       | M10 DIN125 Zn        | Washer                            |
| 13 | 41BL09   | 8   | Sexkantskruv                 | M10x25 8.8 DIN933 Zn | Hex bolt                          |
| 14 | 58H445   | 5   | Slangklämma                  |                      | Hose clamp                        |
| 15 | 202167   | 1   | Slangklämma                  |                      | Hose clamp                        |
| 16 | 929600   | 1   | Stödben                      |                      | Support leg                       |
| 17 | 929607   | 1   | Stödben                      |                      | Support leg                       |
| 18 | 46EDF3   | 4   | Karosseribricka              | M10x30 DIN9021 Zn    | Washer                            |
| 19 | 45FI10   | 4   | Låsmutter                    | M10 8 DIN985 Zn      | Lock nut                          |
| 20 | 202803   |     | Kablage, givare i luftfilter |                      | Wiring harness, air filter sensor |



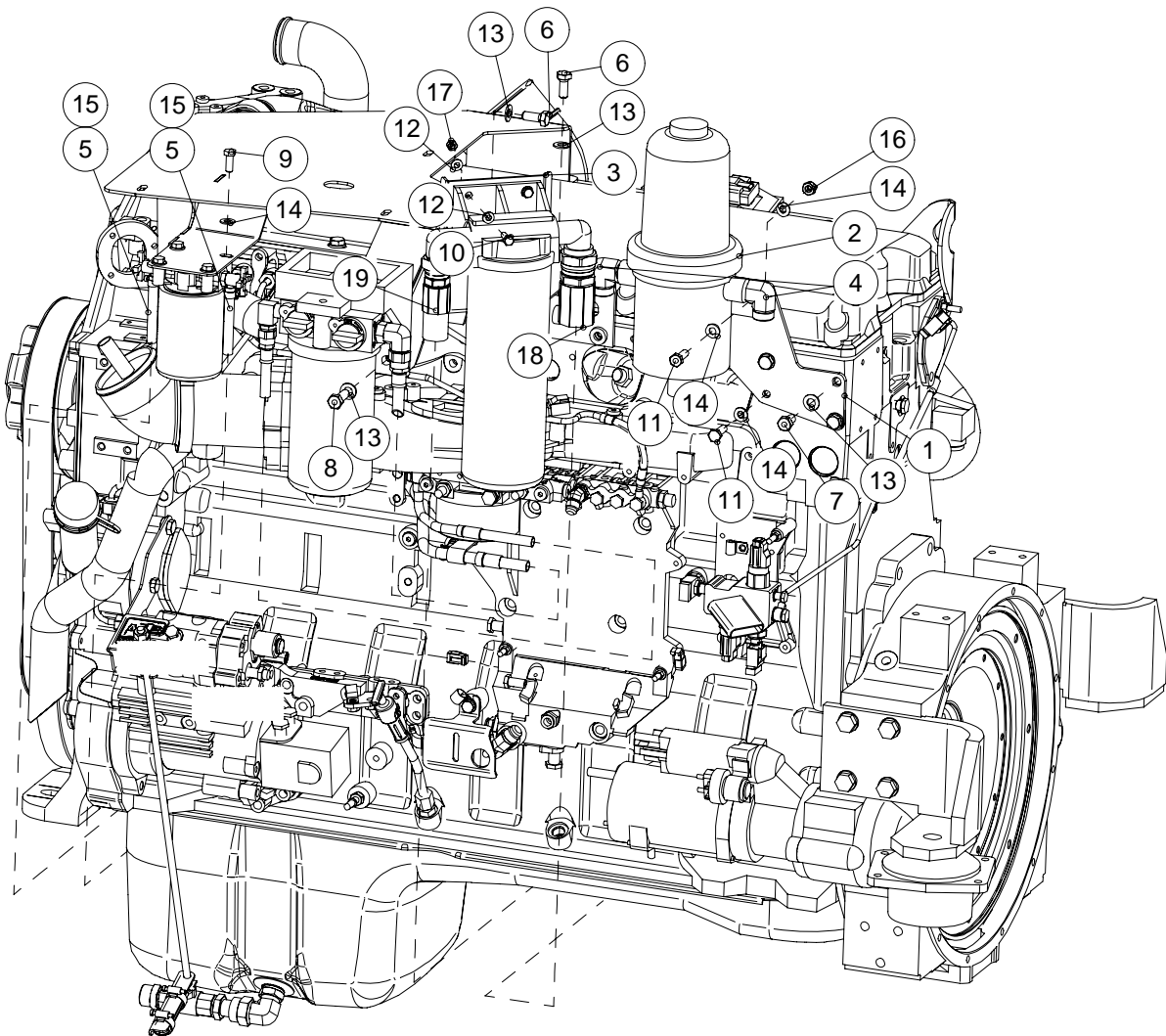
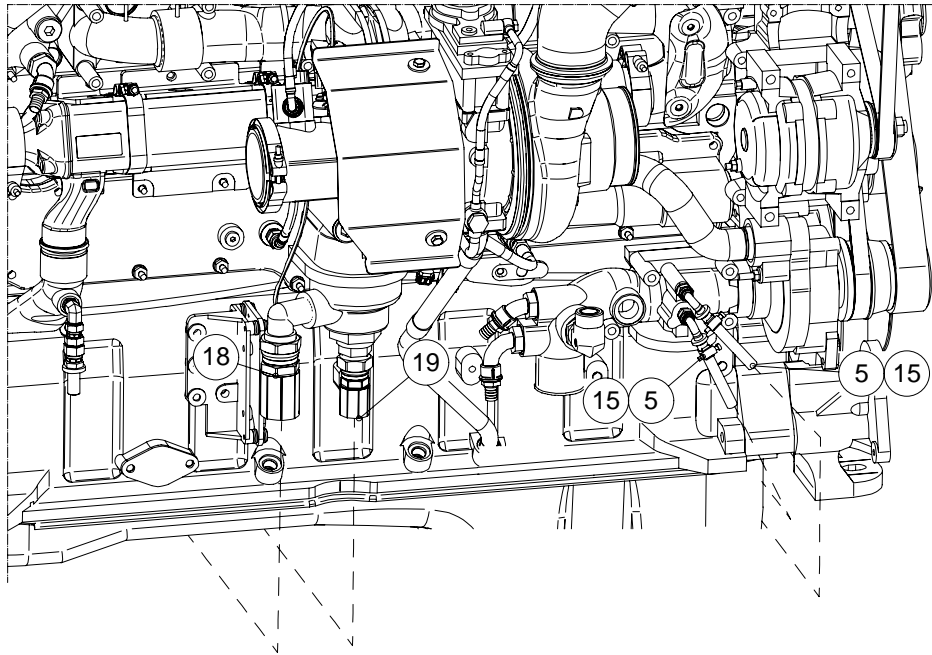
201990

**SN:**  
**Former:**  
**NOTE:**

**Luftfilter**  
**Air filter**  
**201990**

| No | Part No. | Qty | Delens benämning     | Size | Part name              |
|----|----------|-----|----------------------|------|------------------------|
| 1  | 202182   | 1   | Luftfilterpatronsats |      | Air filter element set |
| 2  | 202141   | 1   | Givare               |      | Sensor                 |

926933



926933

SN:  
Former:  
NOTE:Montering av bränslefilter  
Fuel filter assembly  
**926933**

| No | Part No. | Qty | Delens benämning | Size                 | Part name    |
|----|----------|-----|------------------|----------------------|--------------|
| 1  | 926932   | 1   | Fästplatta       |                      | Fixing plate |
| 2  | 202148   | 1   | Bränslefilter    |                      | Fuel filter  |
| 3  | 928038   | 1   | Ställ            |                      | Bracket      |
| 4  | 202173   | 2   | Vinkelskarv      |                      | Fitting      |
| 5  | 59E218   | 2   | Slang            |                      | Hose         |
| 6  | 41BM47   | 3   | Sexkantskruv     | M12x30 8.8 DIN933 Zn | Hex bolt     |
| 7  | 41BM45   | 3   | Sexkantskruv     | M12x25 8.8 DIN933 Zn | Hex bolt     |
| 8  | 41BM51   | 3   | Sexkantskruv     | M12x40 8.8 DIN933 Zn | Hex bolt     |
| 9  | 41CK40   | 4   | Sexkantskruv     | UNC 3/8x1 8.8 Zn     | Hex bolt     |
| 10 | 41BJ73   | 4   | Sexkantskruv     | M8x25 8.8 DIN933 Zn  | Hex bolt     |
| 11 | 41BL13   | 3   | Sexkantskruv     | M10x35 8.8 DIN933 Zn | Hex bolt     |
| 12 | 46ADE4   | 8   | Bricka           | M8 DIN125 Zn         | Washer       |
| 13 | 46ADF7   | 9   | Bricka           | M12 DIN125 Zn        | Washer       |
| 14 | 46ADE9   | 9   | Bricka           | M10 DIN125 Zn        | Washer       |
| 15 | 48B011   | 4   | Slangklämma      |                      | Hose clamp   |
| 16 | 45FI10   | 2   | Låsmutter        | M10 8 DIN985 Zn      | Lock nut     |
| 17 | 45FI08   | 4   | Låsmutter, Nyloc | M8 8 DIN985 Zn       | Lock nut     |
| 18 | 927258   | 1   | Slang            |                      | Hose         |
| 19 | 927256   | 1   | Slang            |                      | Hose         |

NO PICTURE AVAILABLE



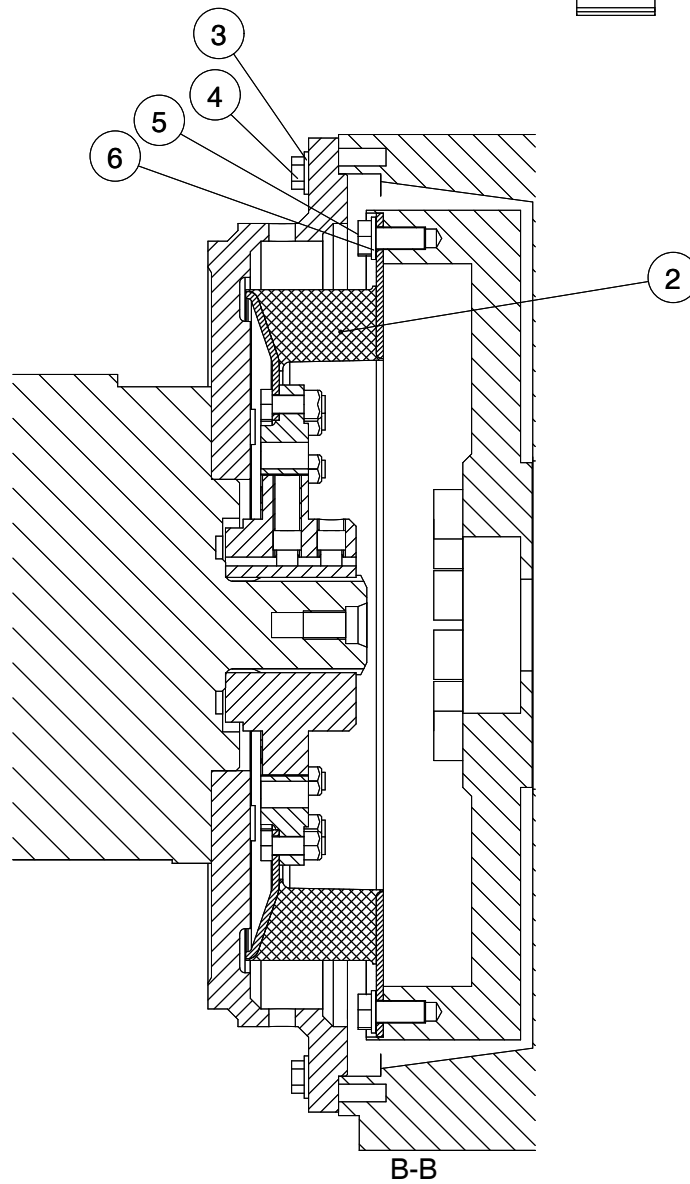
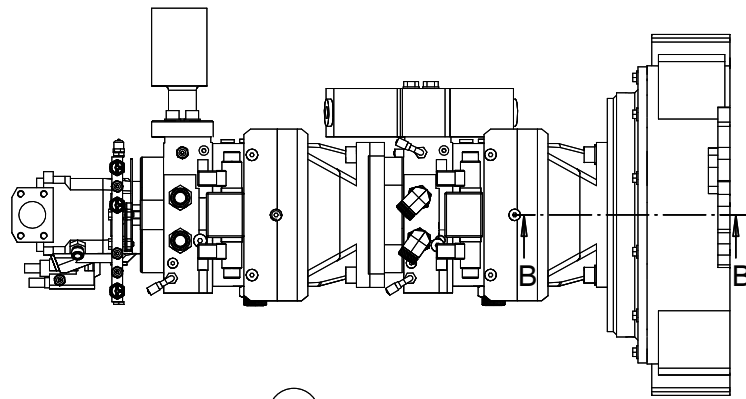
202148

**SN:**  
**Former:**  
**NOTE:**

**Bränslefilter**  
**Fuel filter**  
**202148**

| No | Part No. | Qty | Delens benämning    | Size | Part name       |
|----|----------|-----|---------------------|------|-----------------|
| 1  | 202161   | 1   | Filterinsats        |      | Filter element  |
| 2  | 202162   | 1   | Givare              |      | Sensor          |
| 3  | 202163   | 1   | Uppvärmningselement |      | Heating element |

917839aA



917839aA

**SN:**  
**Former:**  
**NOTE:**

**Montering av pumpar**  
**Hydraulic pumps assembly**  
**917839a**

| No | Part No. | Qty | Delens benämning | Size                  | Part name        |
|----|----------|-----|------------------|-----------------------|------------------|
| 2  | 200473   | 1   | Koppling         |                       | Coupling         |
| 3  | 46T211   | 12  | Nordlock-lås     |                       | Nord-Lock washer |
| 4  | 41CL11   | 12  | Sexkantskruv     | UNC 7/16x1.1/2 8.8 Zn | Hex bolt         |
| 5  | 40CL70   | 8   | Sexkantskruv     | UNC 1/2x1 Zn          | Hex bolt         |
| 6  | 46ADF7   | 8   | Bricka           | M12 DIN125 Zn         | Washer           |

NO PICTURE AVAILABLE

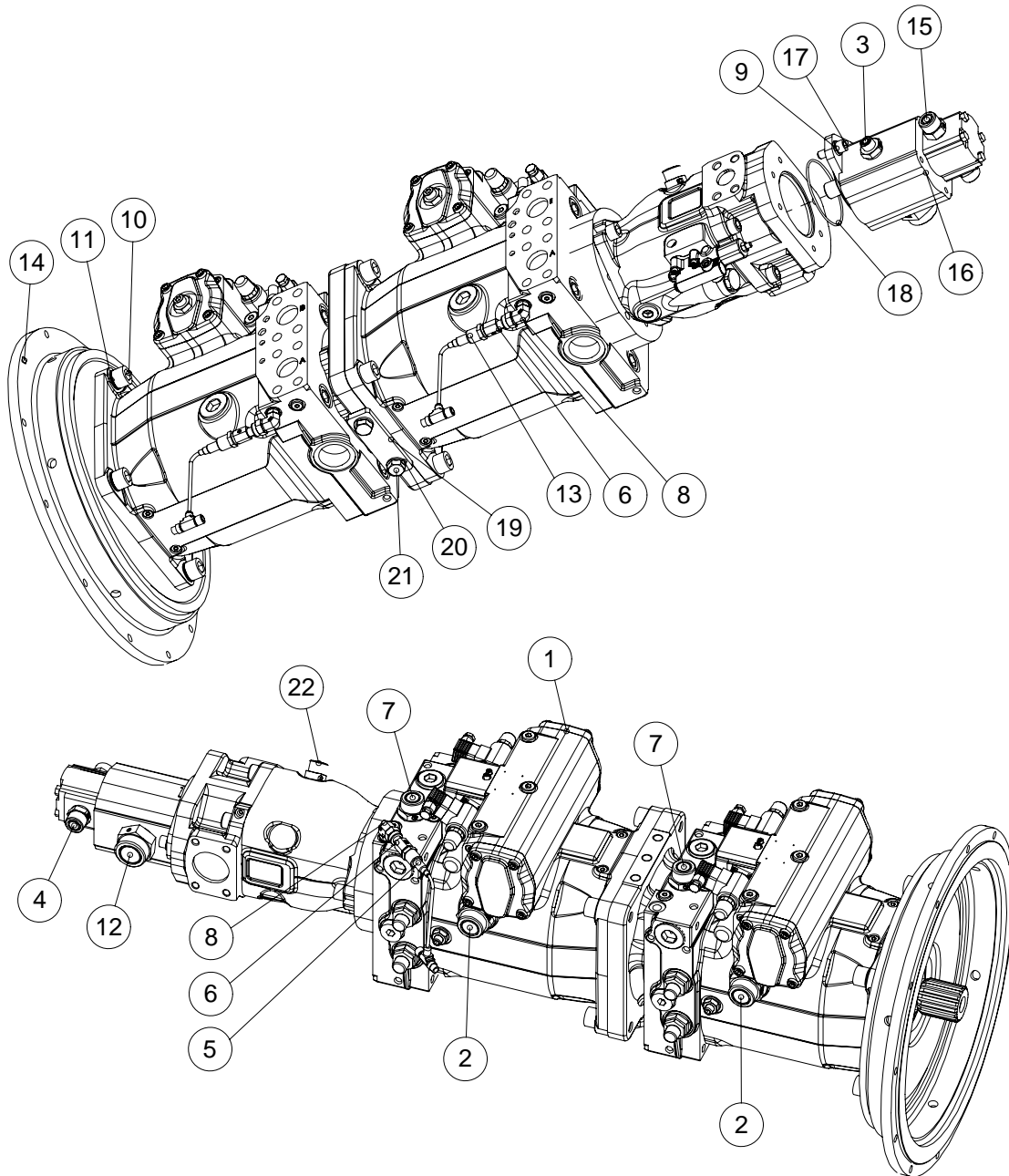
200473

**SN:**  
**Former:**  
**NOTE:**

**Koppling**  
**Coupling**  
**200473**

| No | Part No. | Qty | Delens benämning | Size | Part name     |
|----|----------|-----|------------------|------|---------------|
| 1  | 200474   | 1   | Dubbelpump       |      | Flexible part |
| 2  | 200079   | 1   | Nav              |      | Hub           |

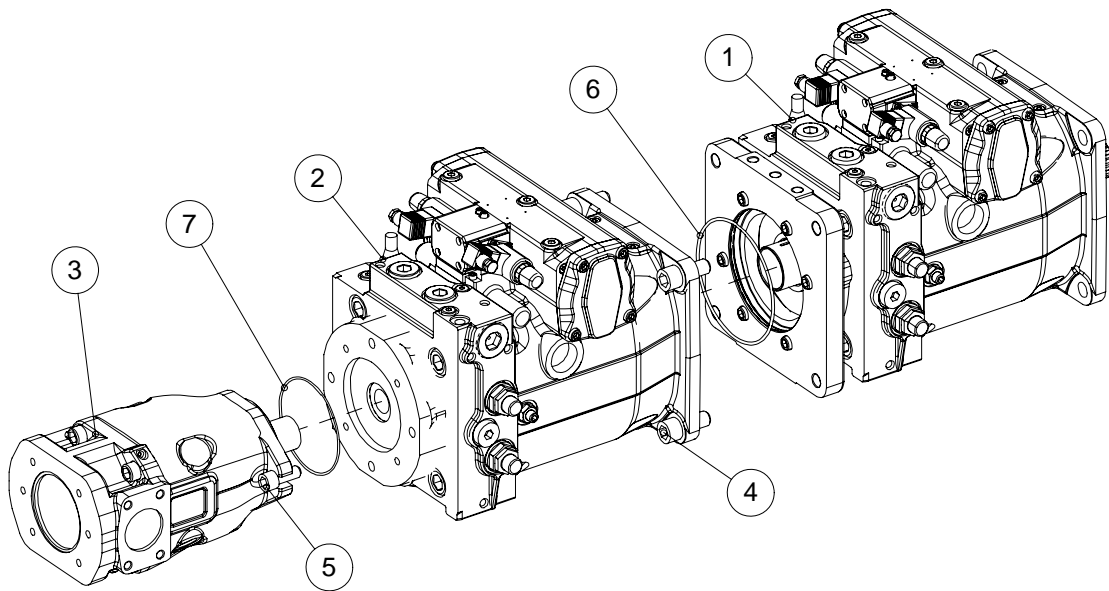
929178



929178

**SN:**  
**Former:**  
**NOTE:****Hydraulisk trippelpump**  
**Hydraulic triple pump**  
**929178**

| No | Part No. | Qty | Delens benämning       | Size                 | Part name             |
|----|----------|-----|------------------------|----------------------|-----------------------|
| 1  | 202696   | 1   | Hydraulisk trippelpump |                      | Hydraulic triple pump |
| 2  | 57ODI281 | 2   | Rak koppling           |                      | Fitting               |
| 3  | 57OBI124 | 1   | Rak koppling           |                      | Fitting               |
| 4  | 57OBI201 | 1   | Rak koppling           |                      | Fitting               |
| 5  | 200876   | 1   | Trycksändare           |                      | Pressure transmitter  |
| 6  | 57OB01TL | 3   | Testkoppling           |                      | Test point connection |
| 7  | 57OII221 | 2   | Rak koppling           |                      | Fitting               |
| 8  | 201014   | 3   | Rak koppling           |                      | Fitting               |
| 9  | 46RBG6   | 2   | HV-bricka              | D13/D24 DIN6916      | HV-washer             |
| 10 | 40H111   | 4   | Insexskruv             | M20x50 12.9 DIN912   | Allen screw           |
| 11 | 46T120   | 4   | Nordlock-lås           | M20                  | Nord-Lock washer      |
| 12 | 200226   | 1   | Rak koppling           |                      | Fitting               |
| 13 | 200875   | 2   | Trycksändare           |                      | Pressure transmitter  |
| 14 | 917830   | 1   | Fästfläns              |                      | Flange                |
| 15 | 57OBI182 | 1   | Rak koppling           |                      | Fitting               |
| 16 | 200216   | 1   | Pump                   |                      | Pump                  |
| 17 | 41FM49   | 2   | Insexskruv             | M12x35 8.8 DIN912 Zn | Allen screw           |
| 18 | 202730   |     | O-ring                 |                      | O-ring                |
| 19 | 917787   | 1   | Mellanskiva            |                      | Spacer                |
| 20 | 46ADG8   | 2   | Bricka                 | M16 DIN125 Zn        | Washer                |
| 21 | 40BN81   | 2   | Insexskruv             | M16x25 8.8 DIN933    | Hex bolt              |
| 22 | 57OUI190 | 1   | Rak koppling           |                      | Fitting               |



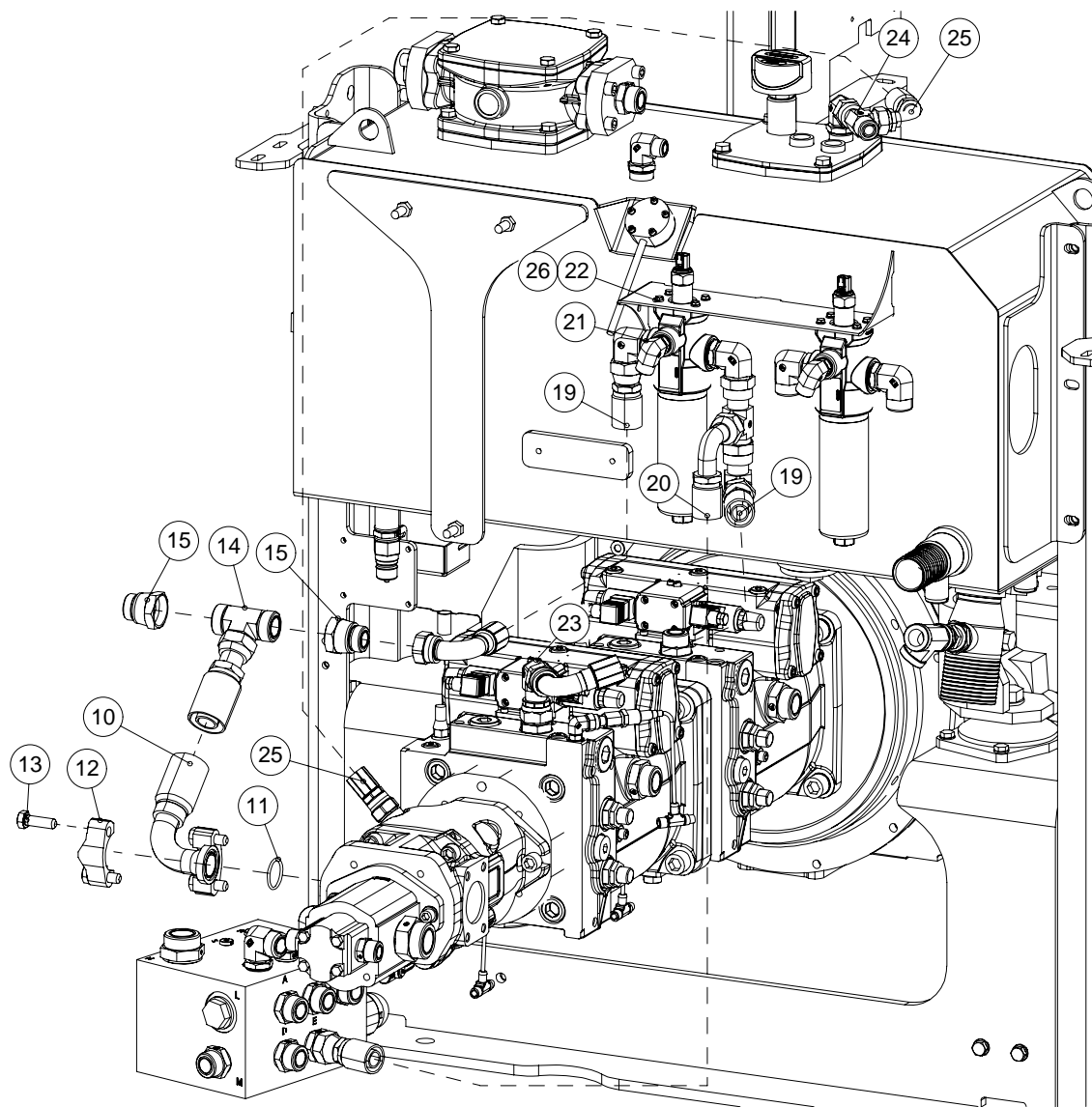


202696

**SN:**  
**Former:**  
**NOTE:**

**Hydraulisk trippelpump**  
**Hydraulic triple pump**  
**202696**

| No | Part No. | Qty | Delens benämning | Size               | Part name      |
|----|----------|-----|------------------|--------------------|----------------|
| 1  | 202697   | 1   | Hydraulpump      |                    | Hydraulic pump |
| 2  | 202698   | 1   | Hydraulpump      |                    | Hydraulic pump |
| 3  | 202699   | 1   | Hydraulpump      |                    | Hydraulic pump |
| 4  | 40H111   | 4   | Insexskruv       | M20x50 12.9 DIN912 | Allen screw    |
| 5  | 202706   | 2   | Insexskruv       | M16x40 10.9 DIN912 | Allen screw    |
| 6  | 57H500   | 1   | O-ring           |                    | O-ring         |
| 7  | 200587   | 1   | O-ring           |                    | O-ring         |

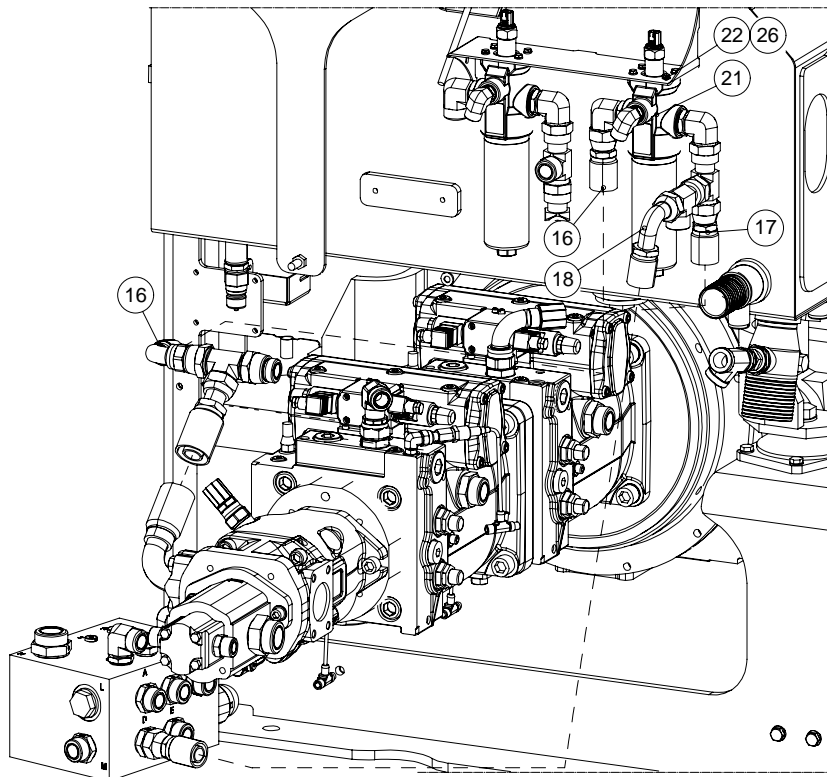
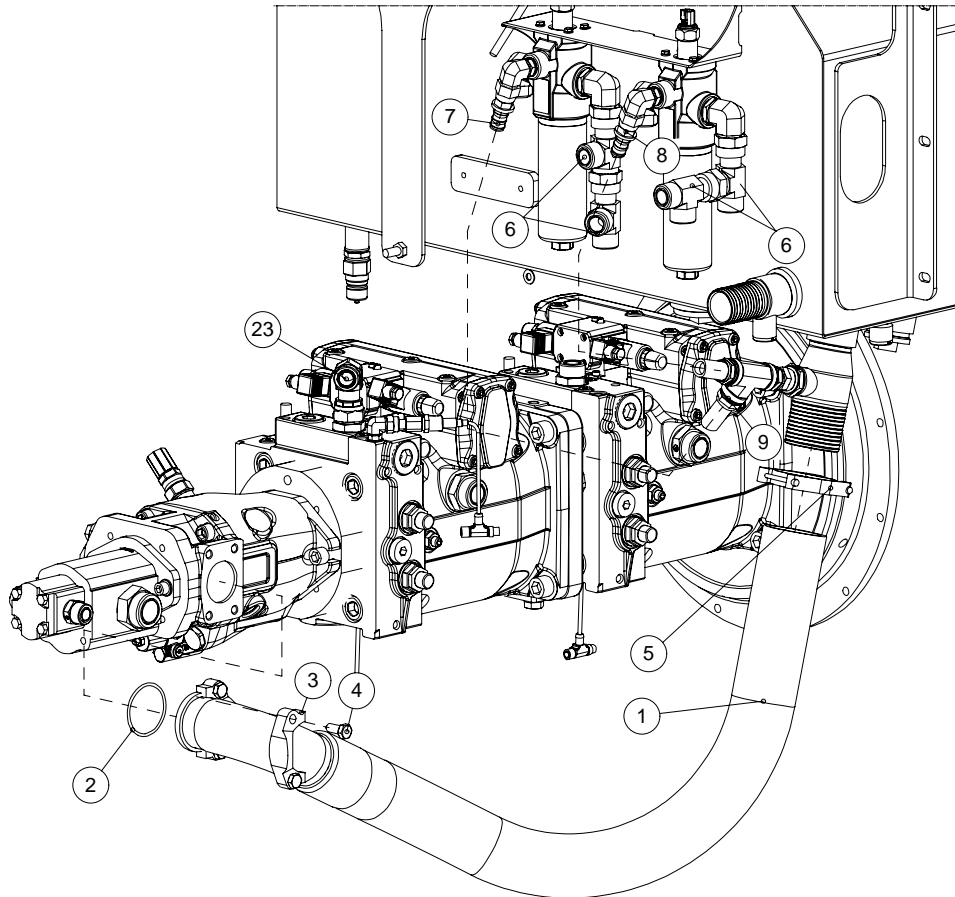


929196

**SN:**  
**Former:**  
**NOTE:****Matnings- och sugkrets**  
**Charge- and suction hydraulics**  
**929196**

| No | Part No.  | Qty | Delens benämning       | Size                 | Part name              |
|----|-----------|-----|------------------------|----------------------|------------------------|
| 10 | 929210    | 1   | Slang                  |                      | Hose                   |
| 11 | 57H150    | 1   | O-Ring                 |                      | O-ring                 |
| 12 | 57J120    | 2   | SAE flänshalva         |                      | Flange (one half)      |
| 13 | 41BN20    | 4   | Sexkantskruv           | M14x45 8.8 DIN933 Zn | Hex bolt               |
| 14 | 202702    | 1   | T-koppling             |                      | T-joint                |
| 15 | 202703    | 2   | Reduceringskoppling    |                      | Reduction fitting      |
| 19 | 924052    | 2   | Slang                  |                      | Hose                   |
| 20 | 919784    | 1   | Slang                  |                      | Hose                   |
| 21 | 922339    | 2   | Matningstrycksfilter   |                      | Charge pressure filter |
| 22 | 46ADD3    | 8   | Bricka                 | M6 DIN125 Zn         | Washer                 |
| 23 | 200208    | 1   | Vinkelskarv            |                      | Elbow fitting          |
| 24 | 57OOT103W | 1   | L-förlängningskoppling |                      | Union tee              |
| 25 | 929236    | 1   | Slang                  |                      | Hose                   |
| 26 | 41BI32    | 8   | Sexkantskruv           | M6x16 8.8 DIN933 Zn  | Hex bolt               |

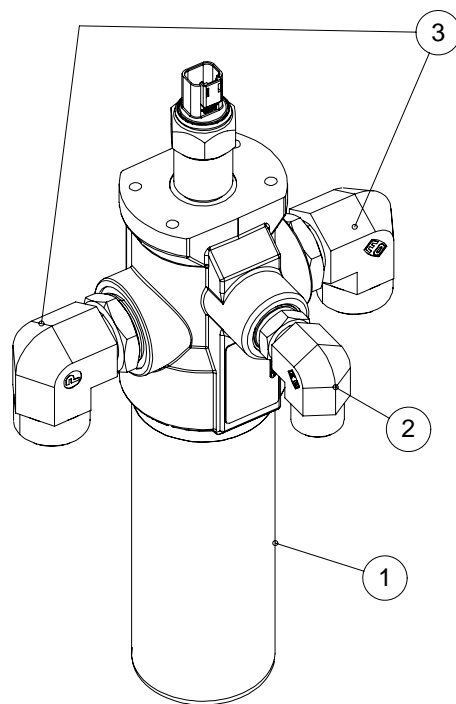
929196



929196

**SN:**  
**Former:**  
**NOTE:****Matnings- och sugkrets**  
**Charge- and suction hydraulics**  
**929196**

| No | Part No. | Qty | Delens benämning         | Size                 | Part name              |
|----|----------|-----|--------------------------|----------------------|------------------------|
| 1  | 929197   | 1   | Slang                    |                      | Hose                   |
| 2  | 57H260   | 1   | O-Ring                   |                      | O-ring                 |
| 3  | 201793   | 2   | Fäststycke för SAE-fläns |                      | Flange (one half)      |
| 4  | 41BM47   | 4   | Sexkantskruv             | M12x30 8.8 DIN933 Zn | Hex bolt               |
| 5  | 201908   | 1   | Slangklämma              |                      | Hose clamp             |
| 6  | 200210   | 4   | L-förlängningskoppling   |                      | Fitting                |
| 7  | 912135   | 1   | Slang                    |                      | Hose                   |
| 8  | 928754   | 1   | Slang                    |                      | Hose                   |
| 9  | 57IT12   | 2   | Usit-tätning             |                      | Usit seal              |
| 16 | 924053   | 1   | Slang                    |                      | Hose                   |
| 17 | 924054   | 1   | Slang                    |                      | Hose                   |
| 18 | 922598   | 1   | Slang                    |                      | Hose                   |
| 21 | 922339   | 2   | Matningstrycksfilter     |                      | Charge pressure filter |
| 22 | 46ADD3   | 8   | Bricka                   | M6 DIN125 Zn         | Washer                 |
| 23 | 200208   | 1   | Vinkelskarv              |                      | Elbow fitting          |
| 26 | 41BI32   | 8   | Sexkantskruv             | M6x16 8.8 DIN933 Zn  | Hex bolt               |



922339

**SN:**  
**Former:**  
**NOTE:**

**Matningstrycksfilter**  
**Charge pressure filter**  
**922339**

| No | Part No. | Qty | Delens benämning         | Size | Part name              |
|----|----------|-----|--------------------------|------|------------------------|
| 1  | 200899   | 2   | Filter                   |      | Charge pressure filter |
| 2  | 57OIL141 | 2   | Justerbar vinkelkoppling |      | Elbow fitting          |
| 3  | 57OBL252 | 4   | Justerbar vinkelkoppling |      | Elbow fitting          |

NO PICTURE AVAILABLE

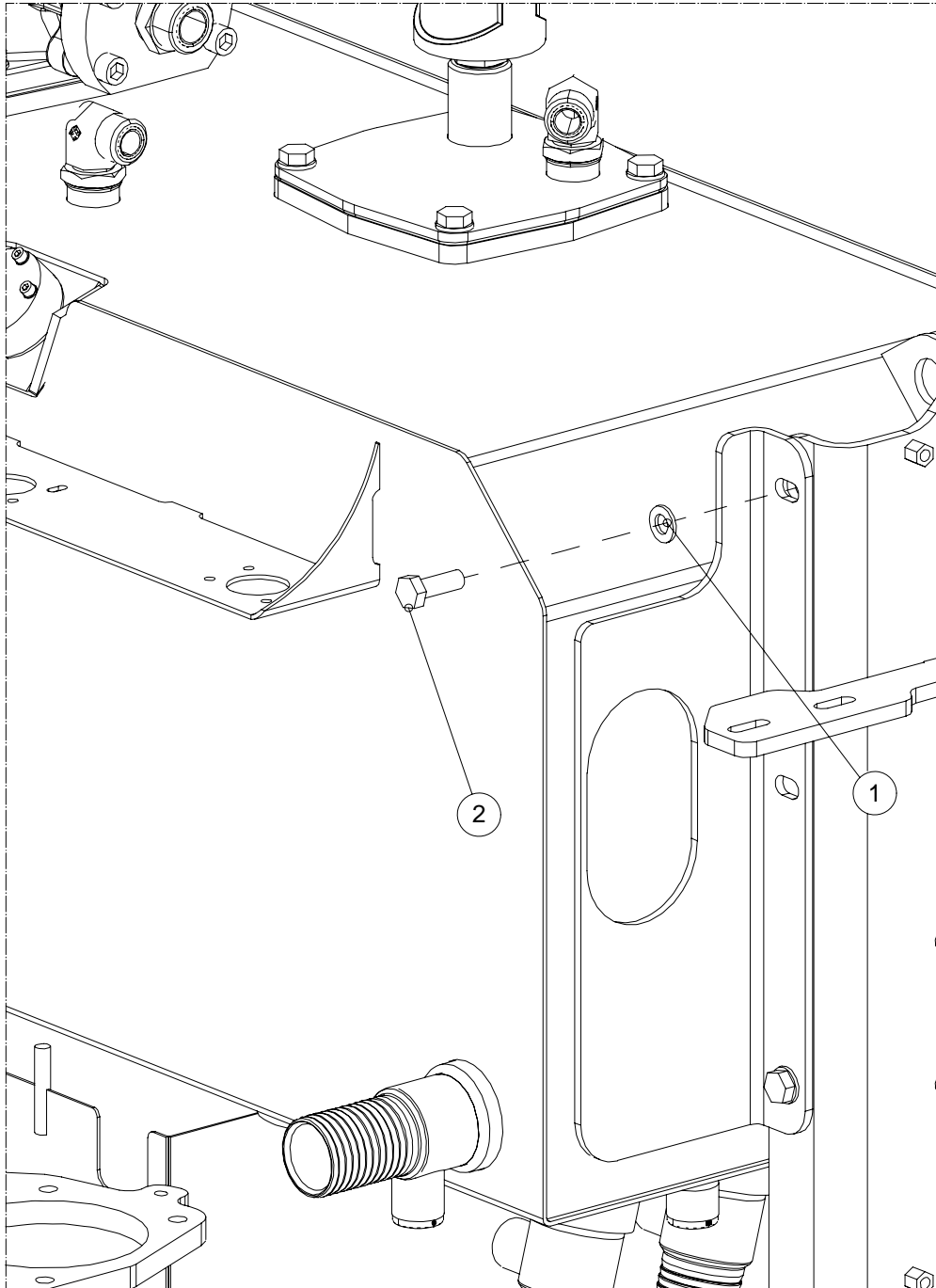


200899

**SN:**  
**Former:**  
**NOTE:**

**Filter**  
**Charge pressure filter**  
**200899**

| No | Part No. | Qty | Delens benämning | Size | Part name      |
|----|----------|-----|------------------|------|----------------|
| 1  | 200900   | 1   | Filterinsats     |      | Filter element |
| 2  | 200992   | 1   | Tätningssats     |      | Seal kit       |

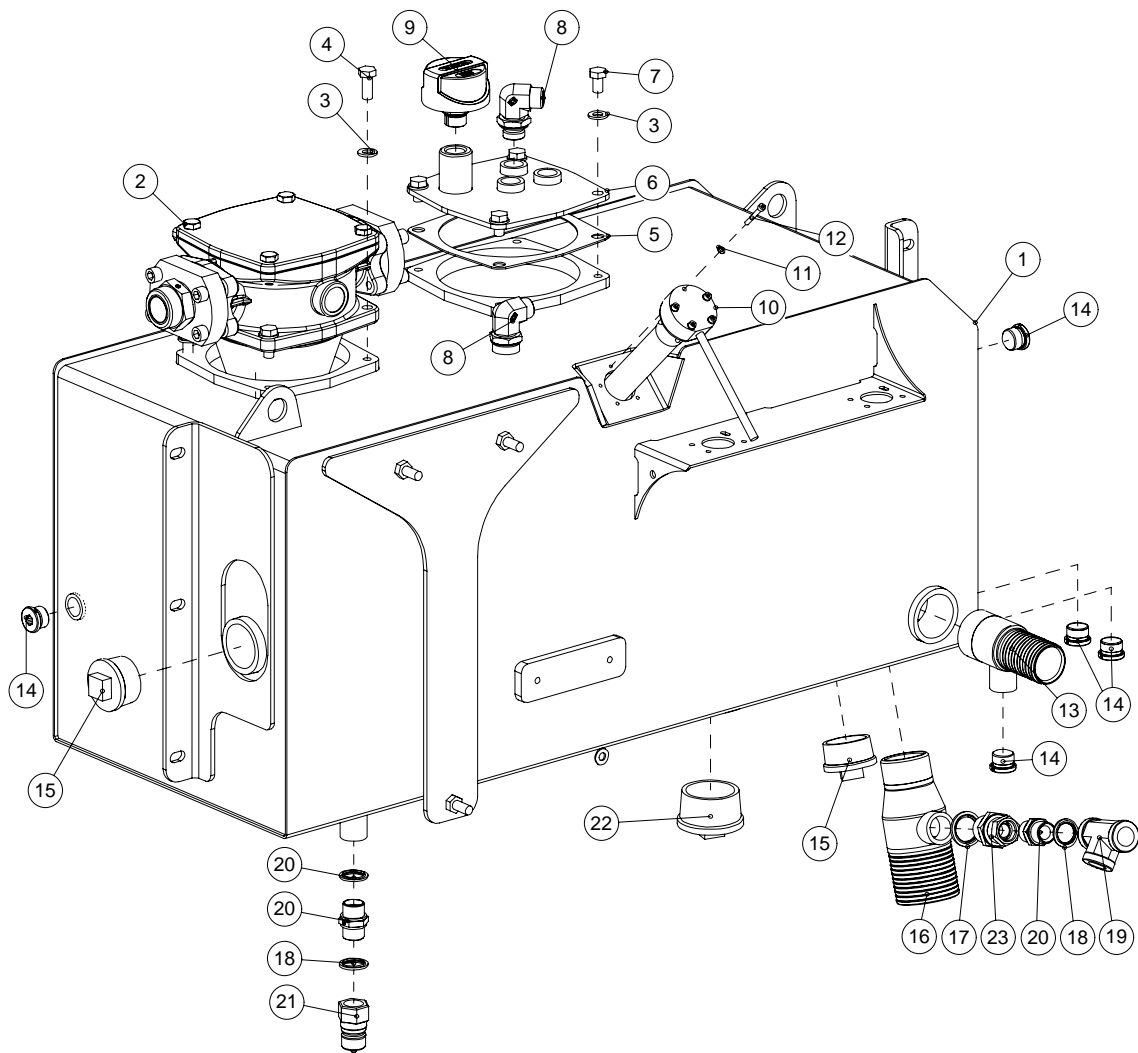


921321cC

**SN:**  
**Former:**  
**NOTE:**

**Montering av hydraultank**  
**Hydraulic oil tank assembly**  
**921321c**

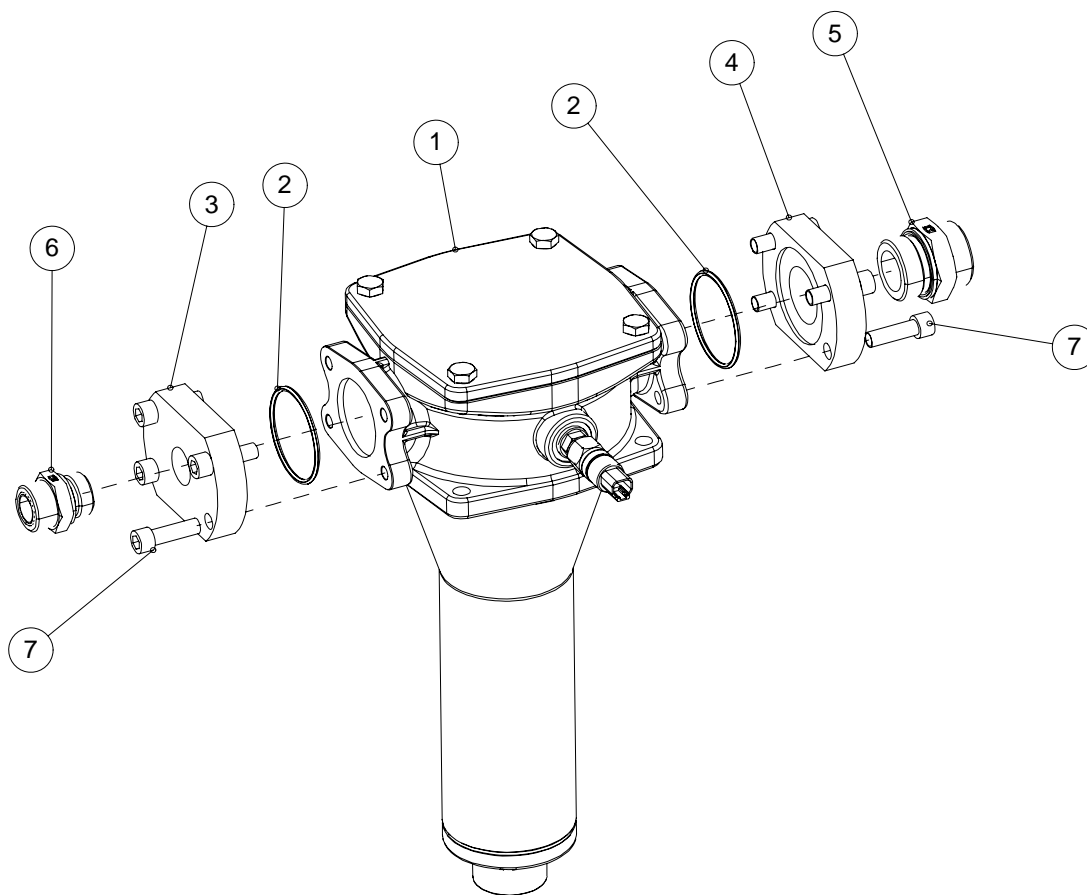
| No | Part No. | Qty | Delens benämning | Size                 | Part name |
|----|----------|-----|------------------|----------------------|-----------|
| 1  | 46ADF7   | 4   | Bricka           | M12 DIN125 Zn        | Washer    |
| 2  | 41BM49   | 4   | Sexkantskruv     | M12x35 8.8 DIN933 Zn | Hex bolt  |



929180

**SN:**  
**Former:**  
**NOTE:****Hydrauloljetank**  
**Hydraulic oil tank**  
**929180**

| No | Part No. | Qty | Delens benämning      | Size                 | Part name          |
|----|----------|-----|-----------------------|----------------------|--------------------|
| 1  | 922027   | 1   | Hydrauloljetank       |                      | Hydraulic oil tank |
| 2  | 920977   | 1   | Returfilter           |                      | Return filter      |
| 3  | 46ADF7   | 8   | Bricka                | M12 DIN125 Zn        | Washer             |
| 4  | 41BM47   | 4   | Sexkantskruv          | M12x30 8.8 DIN933 Zn | Hex bolt           |
| 5  | 922386   | 1   | Tätning               |                      | Seal               |
| 6  | 922370   | 1   | Lock                  |                      | Cover              |
| 7  | 41BM43   | 4   | Sexkantskruv          | M12x20 8.8 DIN933 Zn | Hex bolt           |
| 8  | 57OBL181 | 2   | Vinkelkoppling 90 gr. |                      | Elbow fitting      |
| 9  | 200905   | 1   | Flämtventil           |                      | Breather           |
| 10 | 200865   | 1   | Nivågivare            |                      | Level sensor       |
| 11 | 46ADC6   | 5   | Bricka                | M5 DIN 125 Zn        | Washer             |
| 12 | 41FH07   | 5   | Insexskruv            | M5x40 8.8 DIN912 Zn  | Allen bolt         |
| 13 | 922377   | 1   | Suganslutning         |                      | Suction adapter    |
| 14 | 57S050   | 5   | Insexplugg            |                      | Plug               |
| 15 | 54C845   | 2   | Rörplugg              |                      | Plug               |
| 16 | 929207   | 1   | Suganslutning         |                      | Suction adapter    |
| 17 | 57IT16   | 1   | Usit-tätning          |                      | Usit seal          |
| 18 | 57IT12   | 3   | Usit-tätning          |                      | Usit seal          |
| 19 | 202708   | 1   | T-koppling            |                      | T-joint            |
| 20 | 200268   | 2   | Förlängningskoppling  |                      | Fitting            |
| 21 | 57X011   | 1   | Snabbkoppling, hane   |                      | Quick coupling     |
| 22 | 200939   | 1   | Rörpropp              |                      | Plug               |
| 23 | 202720   | 1   | Gängkoppling          |                      | Threaded connector |



920977

**SN:**  
**Former:**  
**NOTE:**

**Returfilter**  
**Return filter**  
**920977**

| No | Part No. | Qty | Delens benämning | Size                 | Part name     |
|----|----------|-----|------------------|----------------------|---------------|
| 1  | 200898   | 1   | Returfilter      |                      | Return filter |
| 2  | 57H260   | 2   | O-Ring           |                      | O-ring        |
| 3  | 910959   | 1   | Fläns            |                      | Flange        |
| 4  | 910145   | 1   | Fläns            |                      | Flange        |
| 7  | 41FM51   | 8   | Insexskruv       | M12x40 8.8 DIN912 Zn | Allen screw   |
| 8  | 57OBI351 | 1   | Rak koppling     |                      | Fitting       |
| 9  | 57OBI221 | 1   | Rak koppling     |                      | Fitting       |

NO PICTURE AVAILABLE

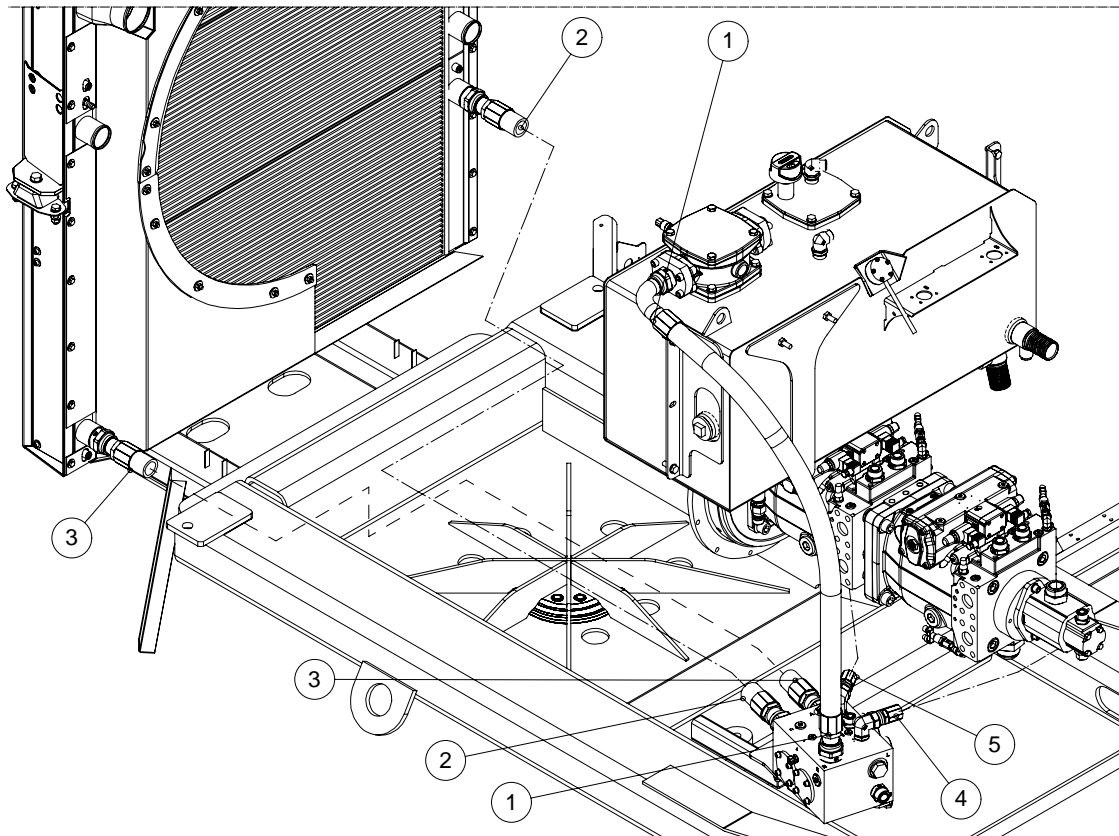
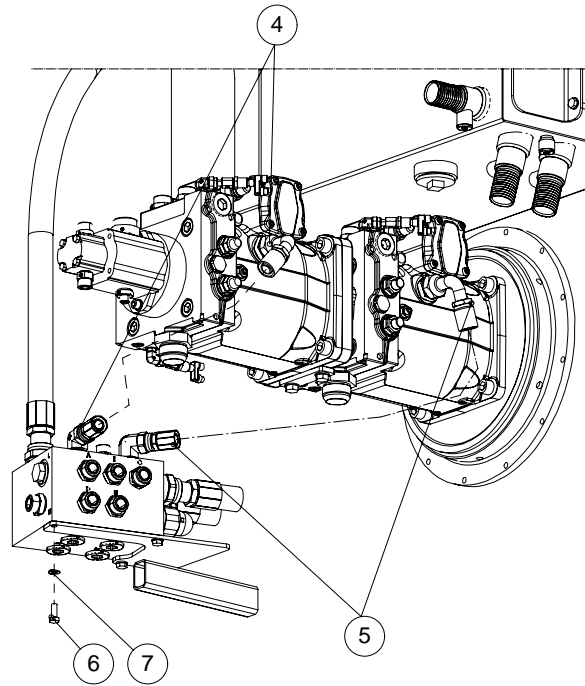


200898a

**SN:**  
**Former:**  
**NOTE:**

**Returfilter**  
**Return filter**  
**200898a**

| No | Part No. | Qty | Delens benämning    | Size | Part name            |
|----|----------|-----|---------------------|------|----------------------|
| 1  | 200897   | 1   | Returfilterpatron   |      | Return filter insert |
| 2  | 200906   | 1   | Igensättningsgivare |      | Choked sensor        |



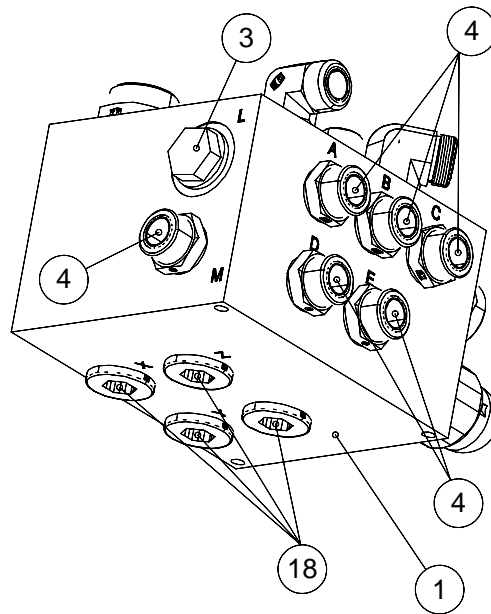
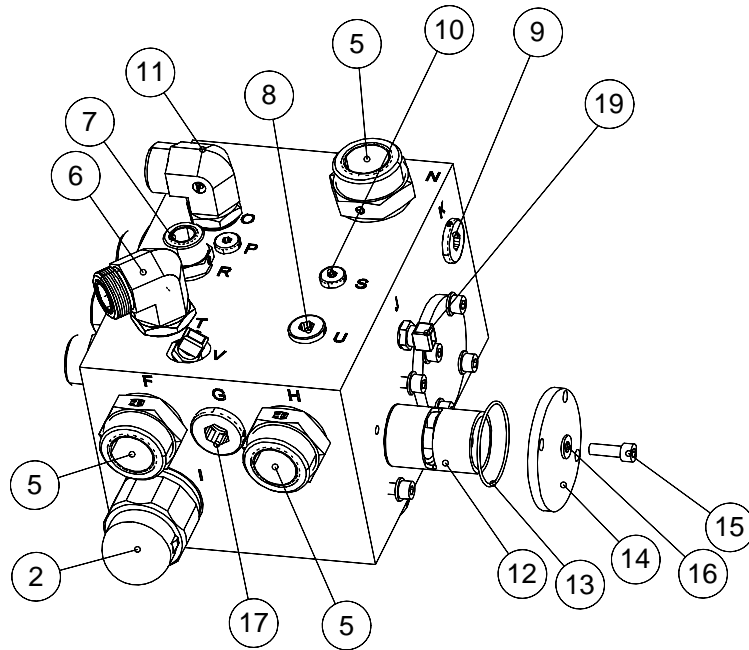
922605

**SN:**  
**Former:**  
**NOTE:**

**Kylarkrets**  
**Cooling circuit**  
**922605**

| No | Part No. | Qty | Delens benämning | Size                 | Part name |
|----|----------|-----|------------------|----------------------|-----------|
| 1  | 922181   | 1   | Slang            |                      | Hose      |
| 2  | 922609   | 1   | Slang            |                      | Hose      |
| 3  | 922610   | 1   | Slang            |                      | Hose      |
| 4  | 922611   | 1   | Slang            |                      | Hose      |
| 5  | 922613   | 1   | Slang            |                      | Hose      |
| 6  | 41BM47   | 3   | Sexkantskruv     | M12x30 8.8 DIN933 Zn | Hex bolt  |
| 7  | 46ADF7   | 3   | Bricka           | M12 DIN125 Zn        | Washer    |

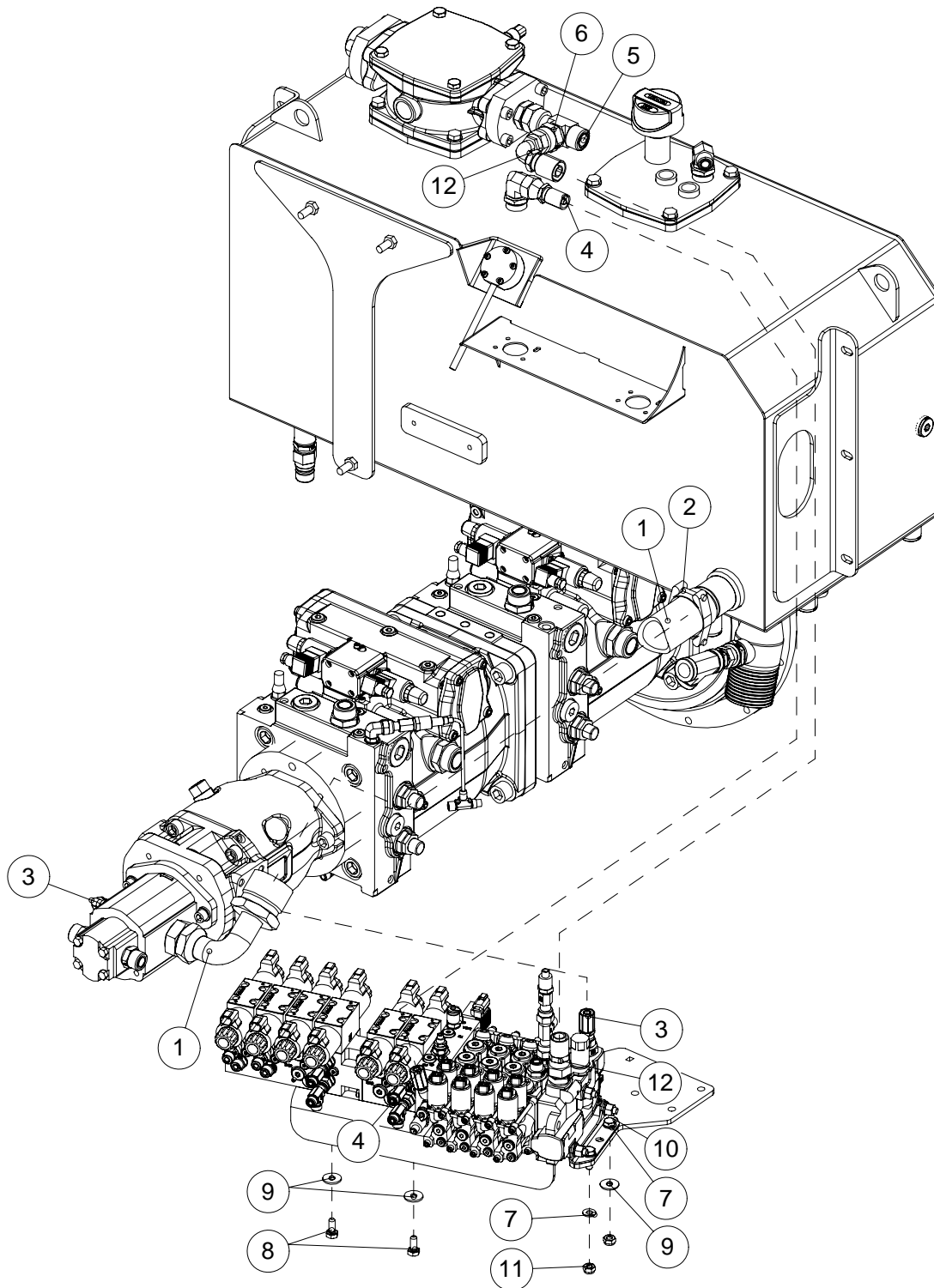
920799



920799

**SN:**  
**Former:**  
**NOTE:****Termostatventil**  
**Thermostat block assembly**  
**920799**

| No | Part No. | Qty | Delens benämning         | Size                | Part name                |
|----|----------|-----|--------------------------|---------------------|--------------------------|
| 1  | 920694   | 1   | Ventilblock              |                     | Valve block              |
| 2  | 200484   | 1   | Tryckbegränsningsventil  |                     | Pressure reducing valve  |
| 3  | 200614   | 1   | Bypassventil             |                     | By-pass valve            |
| 6  | 57OBL221 | 1   | Vinkelkoppling 90 gr.    |                     | Elbow fitting            |
| 8  | 200175   | 1   | Insexplugg               |                     | Plug                     |
| 11 | 57OBL252 | 1   | Justerbar vinkelkoppling |                     | Elbow fitting            |
| 12 | 57B255   | 2   | Termostatventil          |                     | Hydraulic oil thermostat |
| 13 | 57H245   | 2   | O-ring                   |                     | O-ring                   |
| 14 | 920714   | 2   | Termostatlock            |                     | Thermostat cover         |
| 15 | 41FJ73   | 8   | Insexskruv               | M8x25 8.8 DIN912 Zn | Allen screw              |
| 16 | 46ADE4   | 8   | Bricka                   | M8 DIN125 Zn        | Washer                   |
| 19 | 73B074   | 2   | Temperaturgivare         |                     | Temperature sensor       |
| 20 | 57OBI221 | 6   | Rak koppling             |                     | Fitting                  |
| 21 | 57S120   | 4   | Insexplugg               |                     | Plug                     |
| 22 | 57OBI201 | 1   | Rak koppling             |                     | Fitting                  |
| 23 | 57OBI351 | 3   | Rak koppling             |                     | Fitting                  |
| 24 | 57S116   | 1   | Insexplugg               |                     | Plug                     |
| 25 | 57S514   | 2   | Insexplugg               |                     | Plug                     |
| 26 | 57S050   | 1   | Insexplugg               |                     | Plug                     |



929243

**SN:**  
**Former:**  
**NOTE:**

**Tryck- och returkrets**  
**Pressure and return circuit**  
**929243**

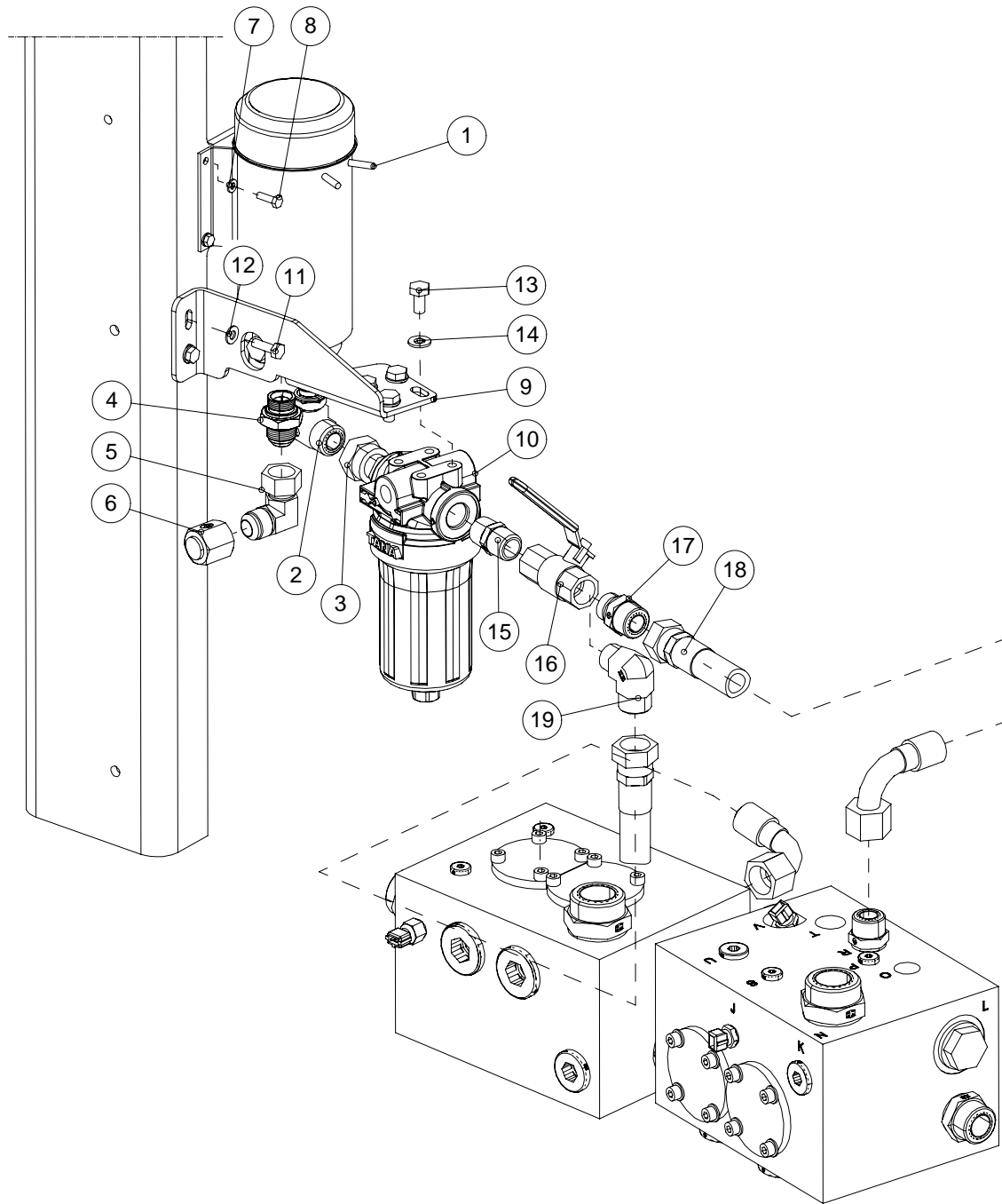
| No | Part No.  | Qty | Delens benämning       | Size                 | Part name  |
|----|-----------|-----|------------------------|----------------------|------------|
| 1  | 929211    | 1   | Slang                  |                      | Hose       |
| 2  | 48B575    | 1   | Slangklämma            |                      | Hose clamp |
| 3  | 929212    | 1   | Slang                  |                      | Hose       |
| 4  | 922188    | 1   | Slang                  |                      | Hose       |
| 5  | 200210    | 1   | L-förlängningskoppling |                      | Fitting    |
| 6  | 57O253TRL | 1   | Reduceringskoppling    |                      | Reducer    |
| 7  | 46ADE9    | 3   | Bricka                 | M10 DIN125 Zn        | Washer     |
| 8  | 41BL09    | 2   | Sexkantskruv           | M10x25 8.8 DIN933 Zn | Hex bolt   |
| 9  | 46EDF3    | 3   | Karosseribricka        | M10x30 DIN9021 Zn    | Washer     |
| 10 | 41BL11    | 2   | Sexkantskruv           | M10x30 8.8 DIN933 Zn | Hex bolt   |
| 11 | 45FI10    | 2   | Låsmutter              | M10 8 DIN985 Zn      | Lock nut   |
| 12 | 924042    | 1   | Slang                  |                      | Hose       |





**SN:**  
**Former:**  
**NOTE:****Riktningsventil**  
**Directional control valve**  
**922466c**

| No | Part No.  | Qty | Delens benämning       | Size | Part name                 |
|----|-----------|-----|------------------------|------|---------------------------|
| 1  | 922933    | 1   | Riktningsventil        |      | Directional control valve |
| 3  | 200875    | 2   | Trycksändare           |      | Pressure transmitter      |
| 4  | 57OBI083  | 6   | Rak koppling           |      | Fitting                   |
| 5  | 57S106    | 8   | Insexplugg             |      | Plug                      |
| 6  | 57S108    | 4   | Insexplugg             |      | Plug                      |
| 7  | 200230    | 2   | Gängkoppling           |      | Fitting                   |
| 8  | 57OBI062  | 1   | Rak koppling           |      | Fitting                   |
| 9  | 57OOT101W | 4   | Rak koppling           |      | Fitting                   |
| 10 | 57OOI081  | 2   | Förlängningskoppling   |      | Fitting                   |
| 11 | 57OBI123  | 2   | Rak koppling           |      | Fitting                   |
| 12 | 57OBI124  | 1   | Rak koppling           |      | Fitting                   |
| 13 | 57OOT121W | 1   | T-förlängningskoppling |      | Fitting                   |
| 15 | 200243    | 1   | Testkoppling           |      | Fitting                   |
| 16 | 57OBI201  | 1   | Rak koppling           |      | Fitting                   |
| 17 | 57OBI102  | 2   | Rak koppling           |      | Fitting                   |
| 18 | 57S104    | 1   | Insexplugg             |      | Plug                      |



921424aA

**SN:**  
**Former:**  
**NOTE:****Hydraulik påfyllningskrets**  
**Hydraulics filling circuit**  
**921424a**

| No | Part No.  | Qty | Delens benämning                  | Size                 | Part name                  |
|----|-----------|-----|-----------------------------------|----------------------|----------------------------|
| 1  | 54U510    | 1   | Påfyllningspump                   |                      | Hydraulic oil filling pump |
| 2  | 57OBL182  | 1   | Vinkelkoppling                    |                      | Elbow fitting              |
| 3  | 57OBI181V | 1   | Gängkoppling                      |                      | Fitting                    |
| 4  | 57V214    | 1   | Rak koppling                      |                      | Fitting                    |
| 5  | 57V738    | 1   | Anslutning                        |                      | Elbow                      |
| 6  | 57U938    | 1   | Hatt                              |                      | Cap                        |
| 7  | 46ADD3    | 4   | Bricka                            | M6 DIN125 Zn         | Washer                     |
| 8  | 41BI35    | 4   | Sexkantskruv                      | M6x20 8.8 DIN933 Zn  | Hex bolt                   |
| 9  | 921423    | 1   | Fäste                             |                      | Bracket                    |
| 10 | 200903    | 1   | Påfyllningsfilter stomme + filter |                      | Filter frame and filter    |
| 11 | 41BJ73    | 2   | Sexkantskruv                      | M8x25 8.8 DIN933 Zn  | Hex bolt                   |
| 12 | 46ADE4    | 2   | Bricka                            | M8 DIN125 Zn         | Washer                     |
| 13 | 41BL07    | 4   | Sexkantskruv                      | M10x20 8.8 DIN933 Zn | Hex bolt                   |
| 14 | 46ADE9    | 4   | Bricka                            | M10 DIN125 Zn        | Washer                     |
| 15 | 57C098    | 1   | Dubbelnippel                      |                      | Union                      |
| 16 | 55A150    | 1   | 2-vägs kulventil                  |                      | Two-way valve              |
| 17 | 57OBI201  | 1   | Rak koppling                      |                      | Fitting                    |
| 18 | 911402    | 1   | Slang                             |                      | Hose                       |
| 19 | 57ONL201  | 1   | Vinkelanslutning                  |                      | Elbow                      |

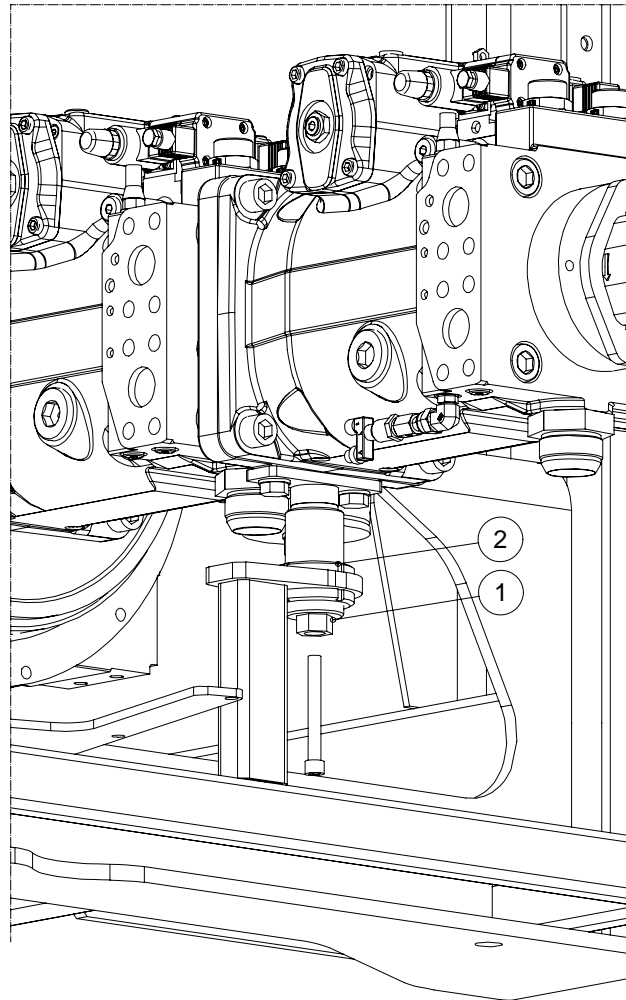
NO PICTURE AVAILABLE

200903

**SN:**  
**Former:**  
**NOTE:**

**Påfyllningsfilter stomme + filter**  
**Filter frame and filter**  
**200903**

| No | Part No. | Qty | Delens benämning | Size | Part name      |
|----|----------|-----|------------------|------|----------------|
| 1  | 200904   | 1   | Filterinsats     |      | Filter element |



171211  
ett09258

Tana SHARK 440DTeco

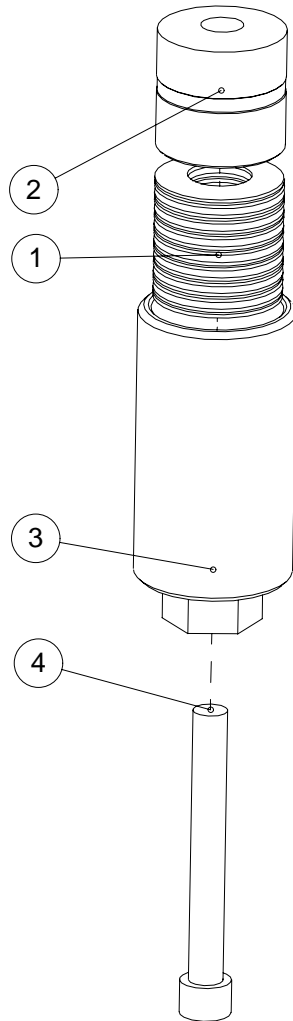
C2100

922247

**SN:**  
**Former:**  
**NOTE:**

**Pumpstöd**  
**Pump support**  
**922247**

| No | Part No. | Qty | Delens benämning | Size | Part name     |
|----|----------|-----|------------------|------|---------------|
| 1  | 922248   | 1   | Flexdel          |      | Flexible part |
| 2  | 200896   | 1   | Axelmutter       |      | Shaft nut     |



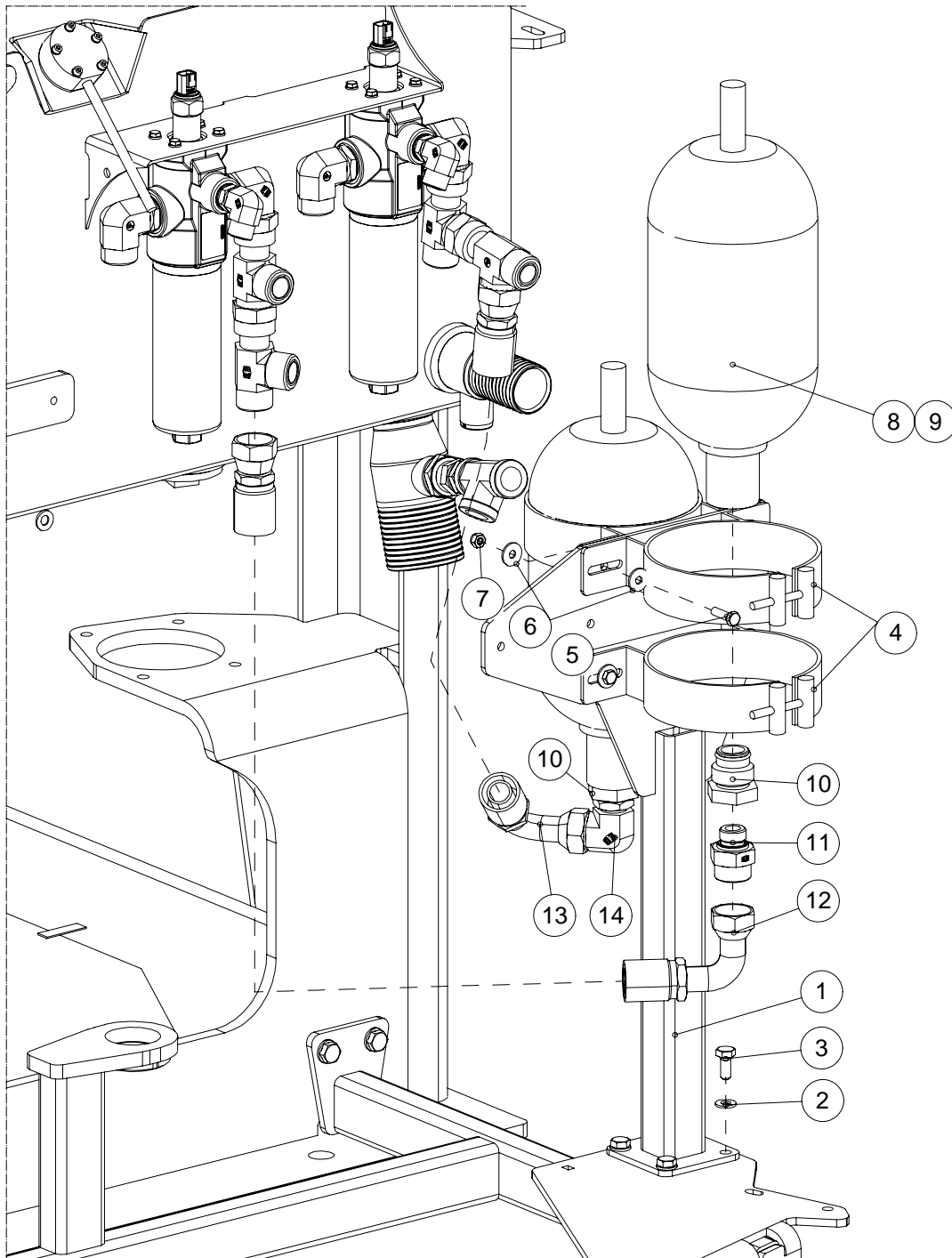


**922248**

**SN:**  
**Former:**  
**NOTE:**

**Flexdel**  
**Flexible part**  
**922248**

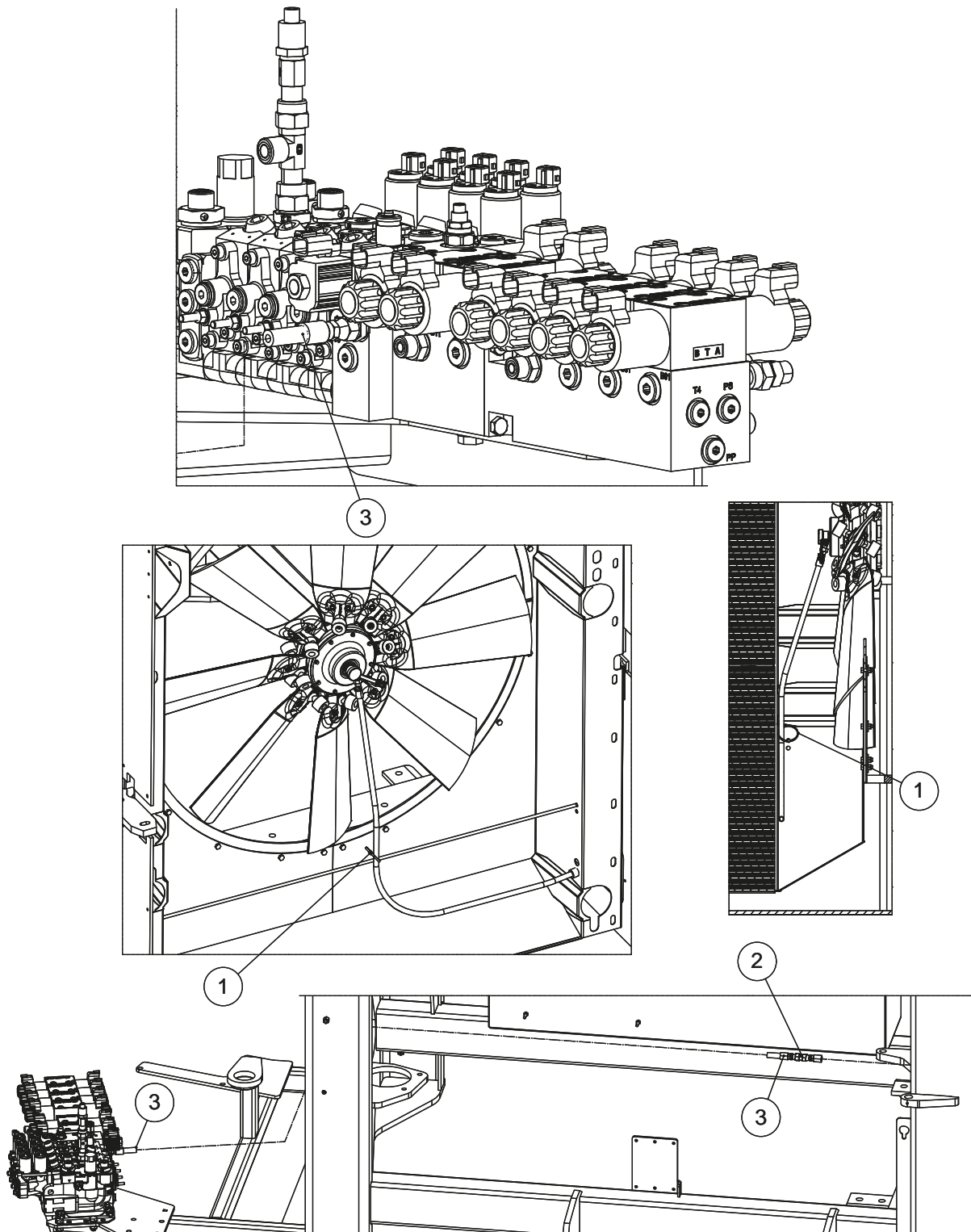
| No | Part No. | Qty | Delens benämning | Size    | Part name   |
|----|----------|-----|------------------|---------|-------------|
| 1  | 200054   | 20  | Tallriksfjäder   |         | Spring      |
| 2  | 917785   | 1   | Kolv             |         | Piston      |
| 3  | 922249   | 1   | Cylinder         |         | Cylinder    |
| 4  | 201097   | 1   | Insexskruv       | M12x100 | Allen screw |



929190

**SN:**  
**Former:**  
**NOTE:****Montering av tryckackumulatorer**  
**Pressure accumulator assembly**  
**929190**

| No | Part No. | Qty | Delens benämning         | Size                 | Part name            |
|----|----------|-----|--------------------------|----------------------|----------------------|
| 1  | 921468   | 1   | Stödben                  |                      | Bracket              |
| 2  | 46ADE9   | 4   | Bricka                   | M10 DIN125 Zn        | Washer               |
| 3  | 41BL09   | 4   | Sexkantskruv             | M10x25 8.8 DIN933 Zn | Hex bolt             |
| 4  | 200455   | 4   | Fästband                 |                      | Band                 |
| 5  | 41BJ75   | 4   | Sexkantskruv             | M8x30 8.8 DIN933 Zn  | Hex bolt             |
| 6  | 46EDF2   | 8   | Karosseribricka          | M8x24 DIN9021 Zn     | Washer               |
| 7  | 45FI08   | 4   | Låsmutter, Nyloc         | M8 8 DIN985 Zn       | Lock nut             |
| 8  | 200479   | 2   | Tryckackumulator         | EUROPE               | Pressure accumulator |
| 9  | 201170   |     | Tryckackumulator         | USA                  | Pressure accumulator |
| 10 | 201171   | 2   | Adapter                  |                      | Adapter              |
| 11 | 57OBI252 | 1   | Rak koppling             |                      | Fitting              |
| 12 | 922601   | 1   | Slang                    |                      | Hose                 |
| 13 | 922602   | 1   | Slang                    |                      | Hose                 |
| 14 | 57OBL252 | 1   | Justerbar vinkelkoppling |                      | Elbow fitting        |

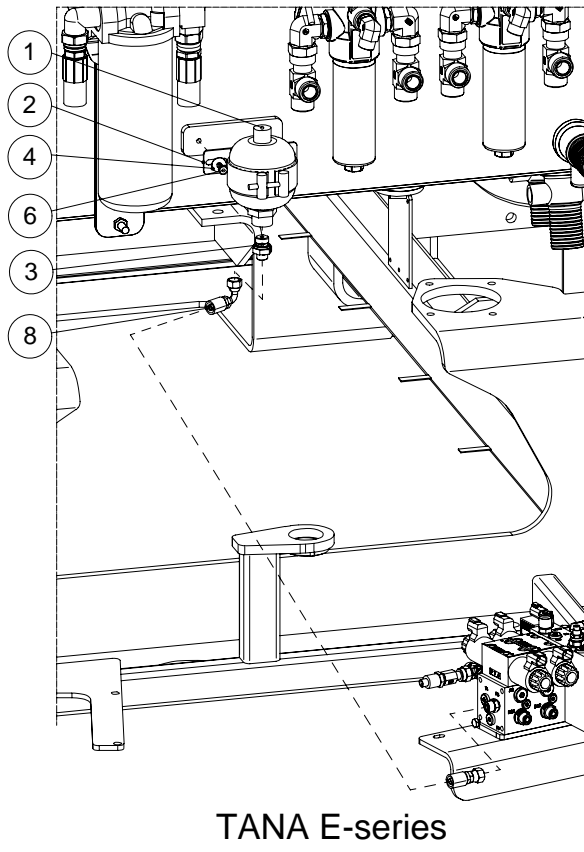


922765aA

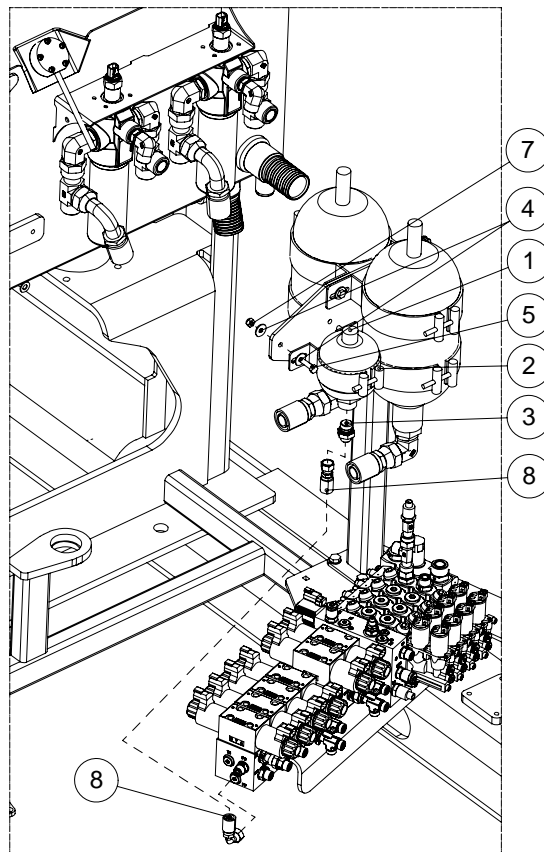
**SN:**  
**Former:**  
**NOTE:**

**Fläkthdraulik**  
**Fan hydraulics**  
**922765a**

| No | Part No. | Qty | Delens benämning | Size | Part name  |
|----|----------|-----|------------------|------|------------|
| 1  | 78B010   | 10  | Buntband         |      | Hose strap |
| 2  | 201096   | 1   | Rak koppling     |      | Fitting    |
| 3  | 922246   | 1   | Slangkombination |      | Hose       |



TANA E-series



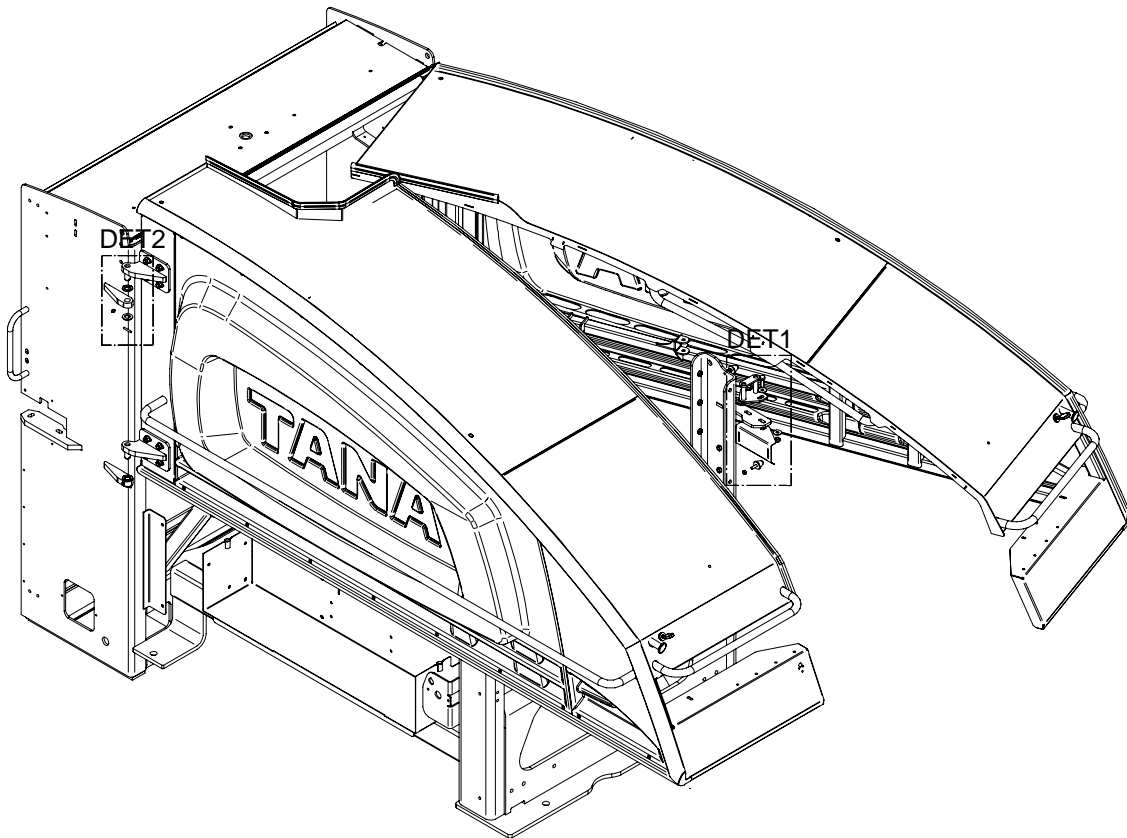
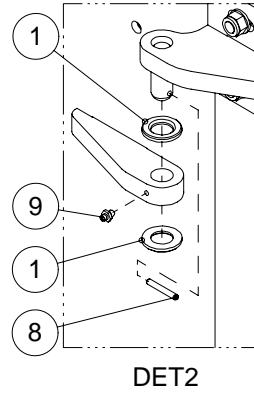
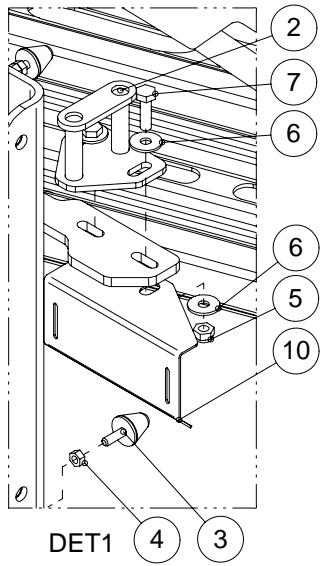
TANA Shark-series

927946

**SN:**  
**Former:**  
**NOTE:**

**Montering av tryckackumulator**  
**Pressure accumulator assembly**  
**927946**

| No | Part No. | Qty | Delens benämning | Size                | Part name            |
|----|----------|-----|------------------|---------------------|----------------------|
| 1  | 202428   | 1   | Tryckackumulator |                     | Pressure accumulator |
| 2  | 202429   | 1   | Fästband         |                     | Fixing band          |
| 3  | 57OBI104 | 1   | Rak koppling     |                     | Fitting              |
| 4  | 46EDF2   | 4   | Karosseribricka  | M8x24 DIN9021 Zn    | Washer               |
| 5  | 41BJ75   | 2   | Sexkantskruv     | M8x30 8.8 DIN933 Zn | Hex bolt             |
| 6  | 41BJ69   | 2   | Sexkantskruv     | M8x16 8.8 DIN933 Zn | Hex bolt             |
| 7  | 45FI08   | 2   | Låsmutter, Nyloc | M8 8 DIN985 Zn      | Lock nut             |
| 8  | 924050   | 1   | Slang            |                     | Hose                 |





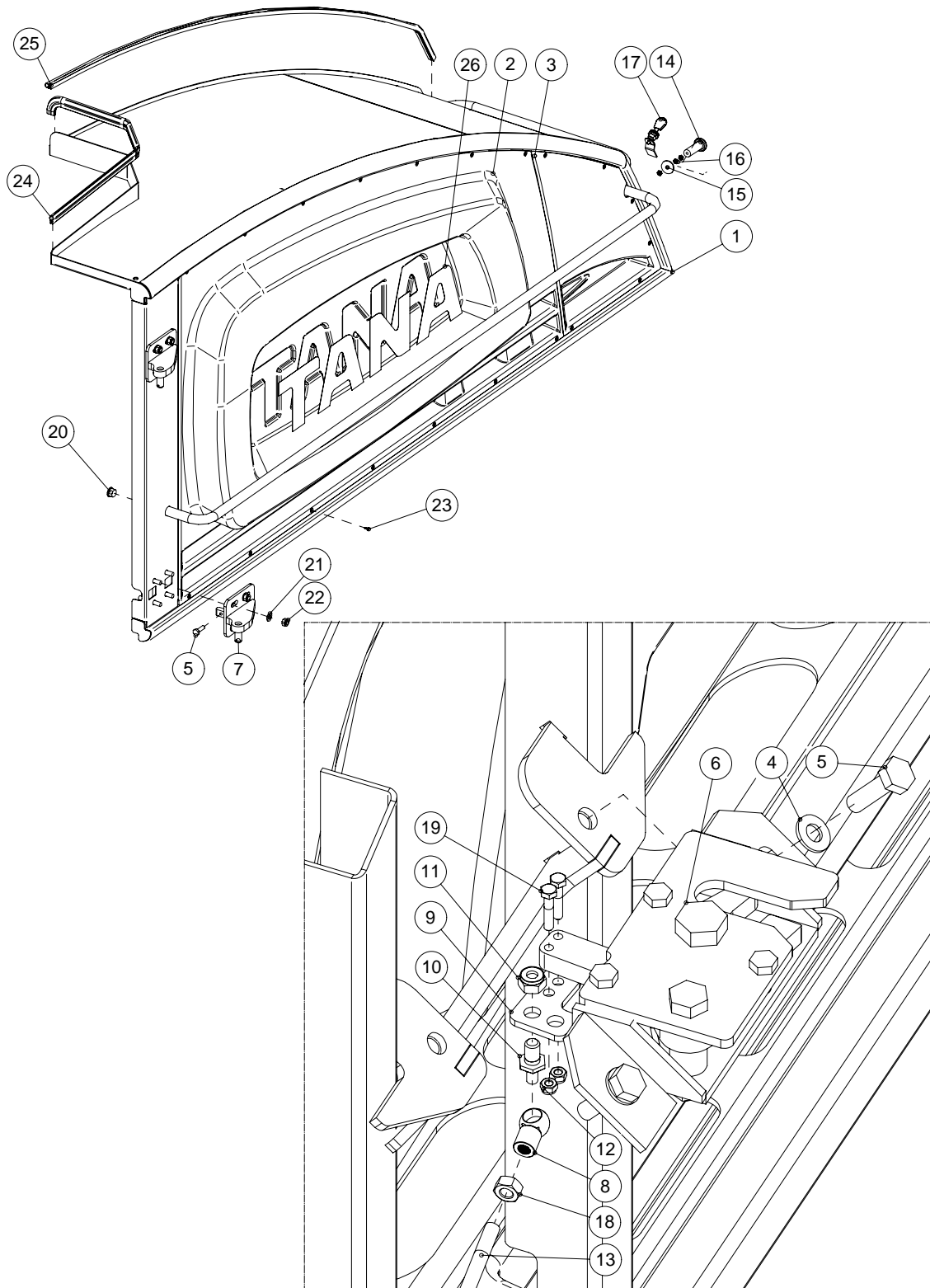
926974

**SN:**  
**Former:**  
**NOTE:**

**Montering av motorskydd**  
**Engine cover assembly**  
**926974**

| No | Part No. | Qty | Delens benämning  | Size                 | Part name        |
|----|----------|-----|-------------------|----------------------|------------------|
| 1  | 46RBG9   | 8   | HV-bricka         | D21/D37 DIN 6916     | HV-washer        |
| 2  | 917740   | 2   | Låstapp           |                      | Tap              |
| 3  | 53B220   | 4   | Vibrationsdämpare |                      | Vibration damper |
| 4  | 45AI08   | 4   | Sexkantmutter     | M8 8 DIN934 Zn       | Hex nut          |
| 5  | 45FI10   | 4   | Låsmutter         | M10 8 DIN985 Zn      | Lock nut         |
| 6  | 46EDF3   | 8   | Karosseribricka   | M10x30 DIN9021 Zn    | Washer           |
| 7  | 41BL13   | 4   | Sexkantskruv      | M10x35 8.8 DIN933 Zn | Hex bolt         |
| 8  | 200252   | 4   | Fjädersprint      |                      | Spring cotter    |
| 9  | 59D510   | 4   | Smörjnippel       |                      | Grease nipple    |
| 10 | 924066   | 1   | Skyddsplåt        |                      | Plate            |

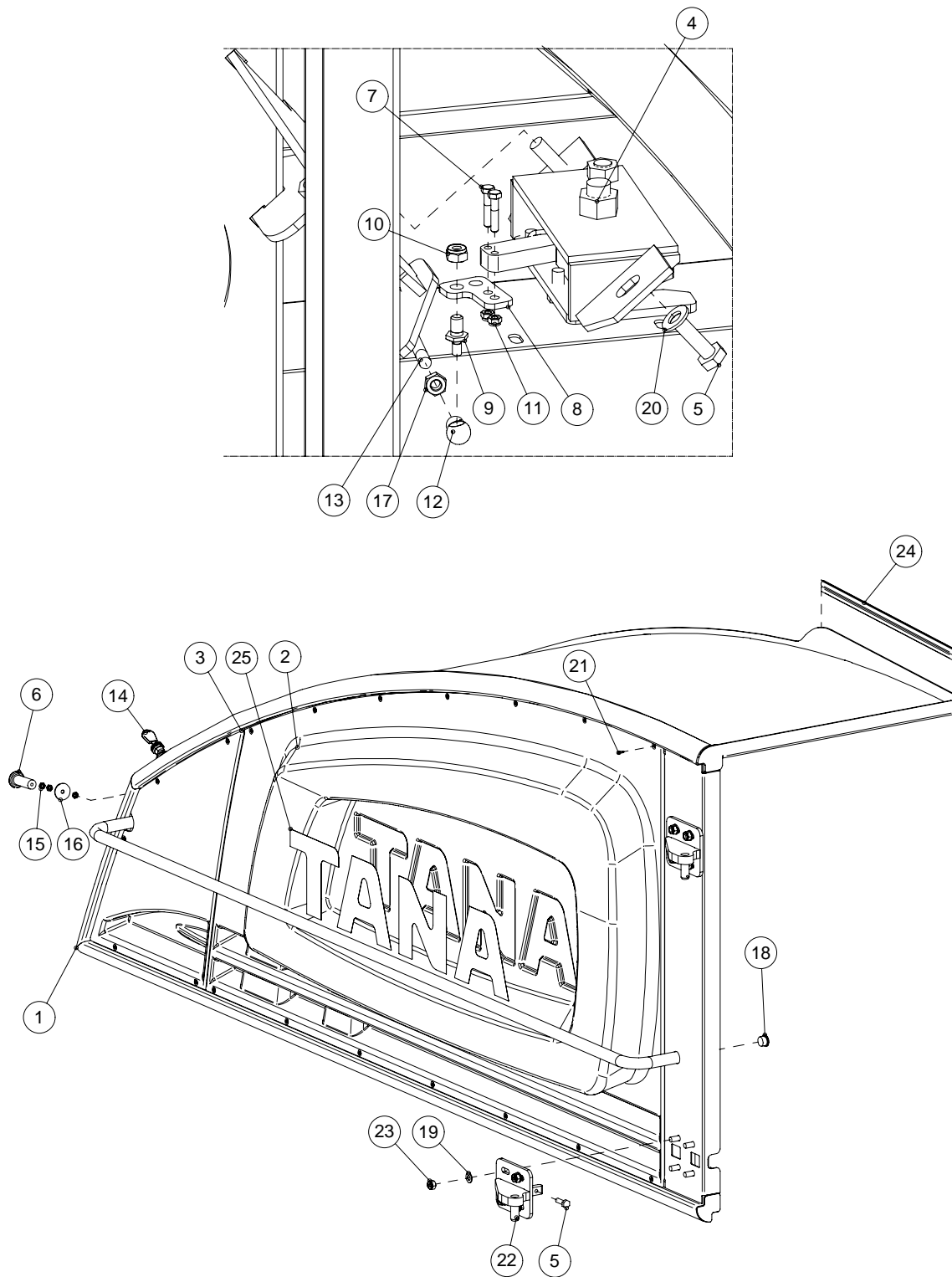
926517



926517

**SN:**  
**Former:**  
**NOTE:****Motorskydd, vänster**  
**Engine cover, left**  
**926517**

| No | Part No. | Qty | Delens benämning    | Size                 | Part name          |
|----|----------|-----|---------------------|----------------------|--------------------|
| 1  | 926518   | 1   | Motorskydd, vänster |                      | Engine cover, left |
| 2  | 926972   | 1   | Gavel               |                      | Side plate         |
| 3  | 926971   | 1   | Gavel               |                      | Side plate         |
| 4  | 46ADE9   | 2   | Bricka              | M10 DIN125 Zn        | Washer             |
| 5  | 41BL13   | 4   | Sexkantskruv        | M10x35 8.8 DIN933 Zn | Hex bolt           |
| 6  | 910231   | 1   | Lås                 |                      | Lock               |
| 7  | 921030   | 2   | Gångjärn            |                      | Hinge              |
| 8  | 201525   | 1   | Fäste               |                      | Fitting            |
| 9  | 924009   | 1   | Fäste               |                      | Bracket            |
| 10 | 200678   | 1   | Fäste               |                      | Fitting            |
| 11 | 45FI08   | 1   | Låsmutter, Nyloc    | M8 8 DIN985 Zn       | Lock nut           |
| 12 | 45FI05   | 2   | Låsmutter, Nyloc    | M5 8 DIN985 Zn       | Lock nut           |
| 13 | 924010   | 1   | Dragstång           |                      | Draw bar           |
| 14 | 924012   | 1   | Dragknopp           |                      | Pull knob          |
| 15 | 924014   | 1   | Tryckplatta         |                      | Counter plate      |
| 16 | 201526   | 3   | Insexmutter         | M8x1.25 DIN439       | Hex nut            |
| 17 | 924016   | 1   | Lås                 |                      | Lock               |
| 18 | 45AI08   | 1   | Sexkantmutter       | M8 8 DIN934 Zn       | Hex nut            |
| 19 | 201527   | 2   | Insexskruv          | M5x25 8.8 DIN931 Zn  | Hex bolt           |
| 20 | 201528   | 3   | Täckpropp           |                      | Plug               |
| 21 | 46RBG6   | 8   | HV-bricka           | D13/D24 DIN6916      | HV-washer          |
| 22 | 45BA12   | 8   | Insexmutter         | M12x1.5 8 DIN934     | Hex nut            |
| 23 | 41VD13   | 20  | Plåtskruv           |                      | Sheet metal screw  |
| 24 | 34B107   | 1   | Kanttätning         |                      | Edge gasket        |
| 25 | 34B100   | 1   | Kanttätning         |                      | Edge gasket        |
| 26 | 926992   | 1   | Dekal               |                      | Sticker            |

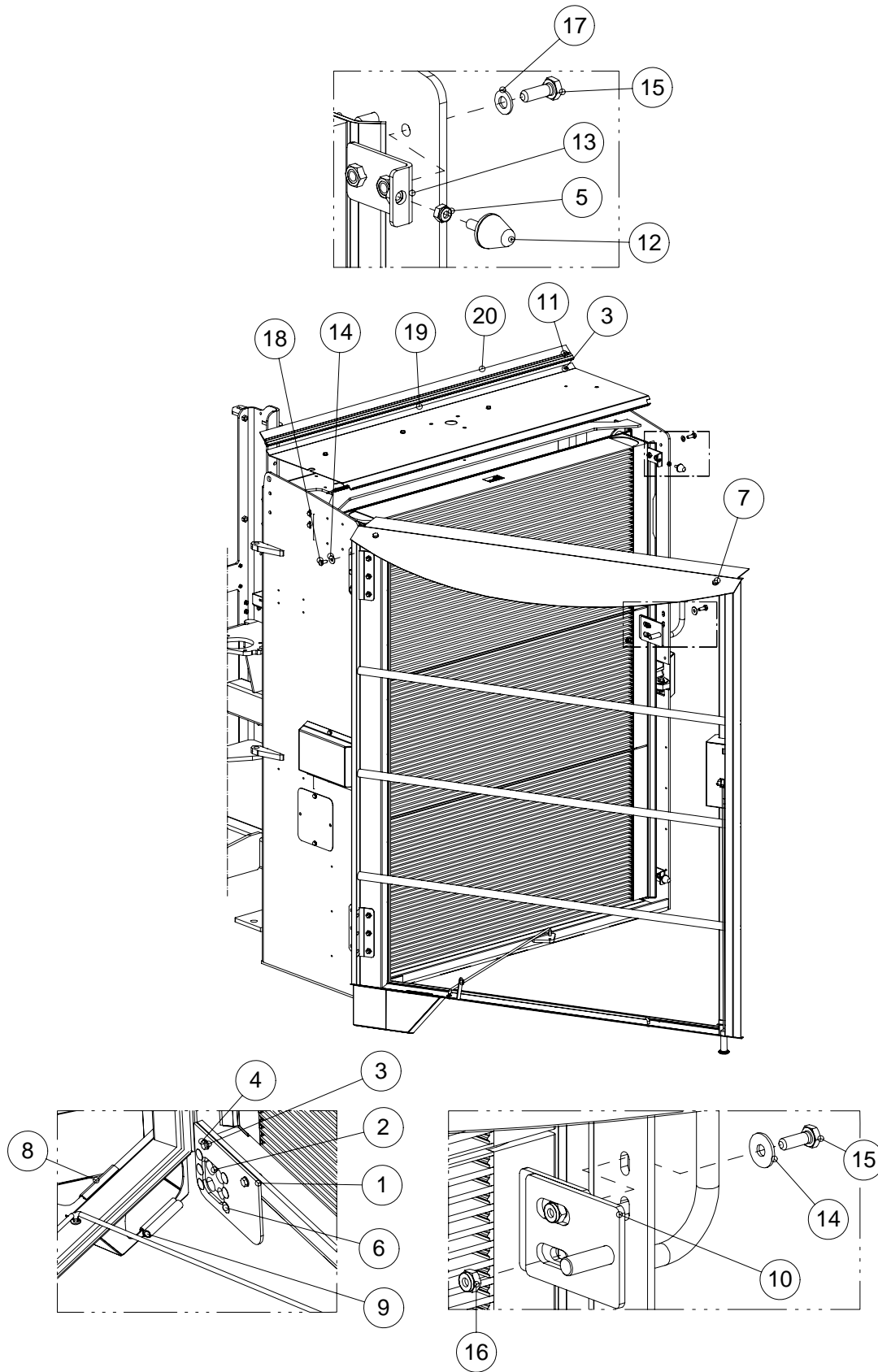


926442

**SN:**  
**Former:**  
**NOTE:****Motorskydd, höger**  
**Engine cover, right**  
**926442**

| No | Part No. | Qty | Delens benämning  | Size                 | Part name           |
|----|----------|-----|-------------------|----------------------|---------------------|
| 1  | 926446   | 1   | Motorskydd, höger |                      | Engine cover, right |
| 2  | 926809   | 1   | Gavel             |                      | Plate               |
| 3  | 926949   | 1   | Gavel             |                      | Plate               |
| 4  | 910231   | 1   | Lås               |                      | Lock                |
| 5  | 41BL13   | 4   | Sexkantskruv      | M10x35 8.8 DIN933 Zn | Hex bolt            |
| 6  | 924012   | 1   | Dragknopp         |                      | Pull knob           |
| 7  | 201527   | 2   | Insexskruv        | M5x25 8.8 DIN931 Zn  | Hex bolt            |
| 8  | 924009   | 1   | Fäste             |                      | Bracket             |
| 9  | 200678   | 1   | Fäste             |                      | Fitting             |
| 10 | 45FI08   | 1   | Låsmutter, Nyloc  | M8 8 DIN985 Zn       | Lock nut            |
| 11 | 45FI05   | 2   | Låsmutter, Nyloc  | M5 8 DIN985 Zn       | Lock nut            |
| 12 | 201525   | 1   | Fäste             |                      | Fitting             |
| 13 | 924010   | 1   | Dragstång         |                      | Draw bar            |
| 14 | 924016   | 1   | Lås               |                      | Lock                |
| 15 | 201526   | 3   | Insexmutter       | M8x1.25 DIN439       | Hex nut             |
| 16 | 924014   | 1   | Tryckplatta       |                      | Counter plate       |
| 17 | 45AI08   | 1   | Sexkantmutter     | M8 8 DIN934 Zn       | Hex nut             |
| 18 | 201528   | 3   | Täckpropp         |                      | Plug                |
| 19 | 46RBG6   | 8   | HV-bricka         | D13/D24 DIN6916      | HV-washer           |
| 20 | 46ADE9   | 2   | Bricka            | M10 DIN125 Zn        | Washer              |
| 21 | 41VD13   | 20  | Plåtskruv         |                      | Sheet metal screw   |
| 22 | 921048   | 2   | Gångjärn          |                      | Hinge               |
| 23 | 45FI12   | 8   | Låsmutter, Nyloc  | M12 8 DIN985 Zn      | Lock nut            |
| 24 | 34B107   | 1   | Kanttätning       |                      | Edge gasket         |
| 25 | 926992   | 1   | Dekal             |                      | Sticker             |

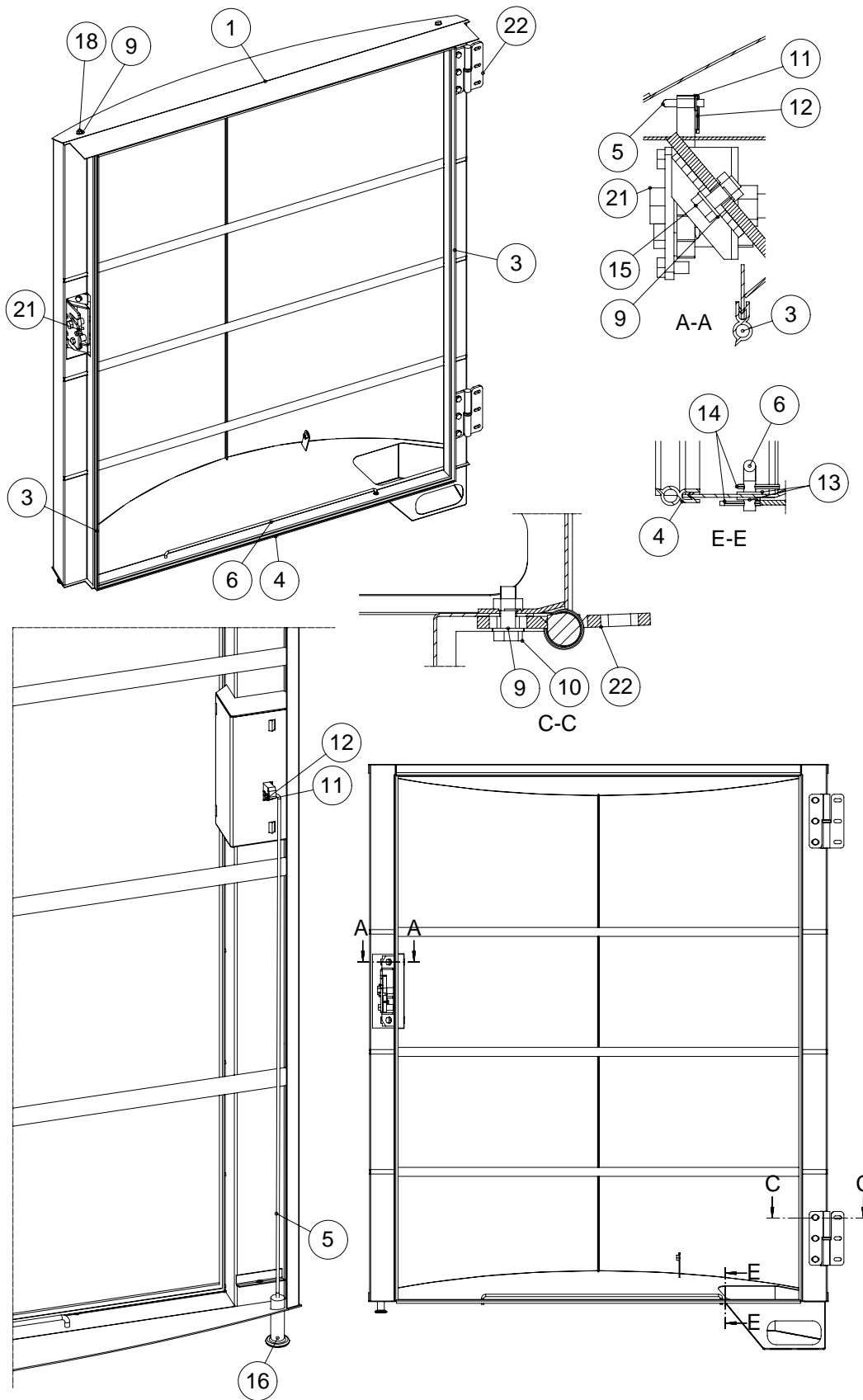
927714



927714

**SN:**  
**Former:**  
**NOTE:****Montering av framdörr**  
**Front door assembly**  
**927714**

| No | Part No. | Qty | Delens benämning  | Size                 | Part name        |
|----|----------|-----|-------------------|----------------------|------------------|
| 1  | 921499   | 1   | Tryckplatta       |                      | Plate            |
| 2  | 921502   | 1   | Genomföring       |                      | Lead-in fitting  |
| 3  | 46ADE4   | 14  | Bricka            | M8 DIN125 Zn         | Washer           |
| 4  | 41BJ75   | 2   | Sexkantskruv      | M8x30 8.8 DIN933 Zn  | Hex bolt         |
| 5  | 45FI08   | 10  | Låsmutter, Nyloc  | M8 8 DIN985 Zn       | Lock nut         |
| 6  | 201153   | 6   | Låsskruv          | M8x50                | Lock screw       |
| 7  | 921067   | 1   | Framdörr          |                      | Front door       |
| 8  | 34B035   | 1   | U-profilgummi     |                      | Rubber strip     |
| 9  | 34B100   | 1   | Kanttätning       |                      | Edge gasket      |
| 10 | 921338   | 1   | Låstapp           |                      | Lock tap         |
| 11 | 41BJ67   | 4   | Insexskruv        | M8x12 8.8 DIN933 Zn  | Hex bolt         |
| 12 | 53B220   | 2   | Vibrationsdämpare |                      | Vibration damper |
| 13 | 924763   | 2   | Tryckplatta       |                      | Counter plate    |
| 14 | 46EDF3   | 8   | Karosseribricka   | M10x30 DIN9021 Zn    | Washer           |
| 15 | 41BL11   | 6   | Sexkantskruv      | M10x30 8.8 DIN933 Zn | Hex bolt         |
| 16 | 45FI10   | 2   | Låsmutter         | M10 8 DIN985 Zn      | Lock nut         |
| 17 | 46ADE9   | 4   | Bricka            | M10 DIN125 Zn        | Washer           |
| 18 | 41BL09   | 6   | Sexkantskruv      | M10x25 8.8 DIN933 Zn | Hex bolt         |
| 19 | 926987   | 1   | Täckplåt          |                      | Cover plate      |
| 20 | 34B200   | 2   | Tätning           |                      | Seal             |

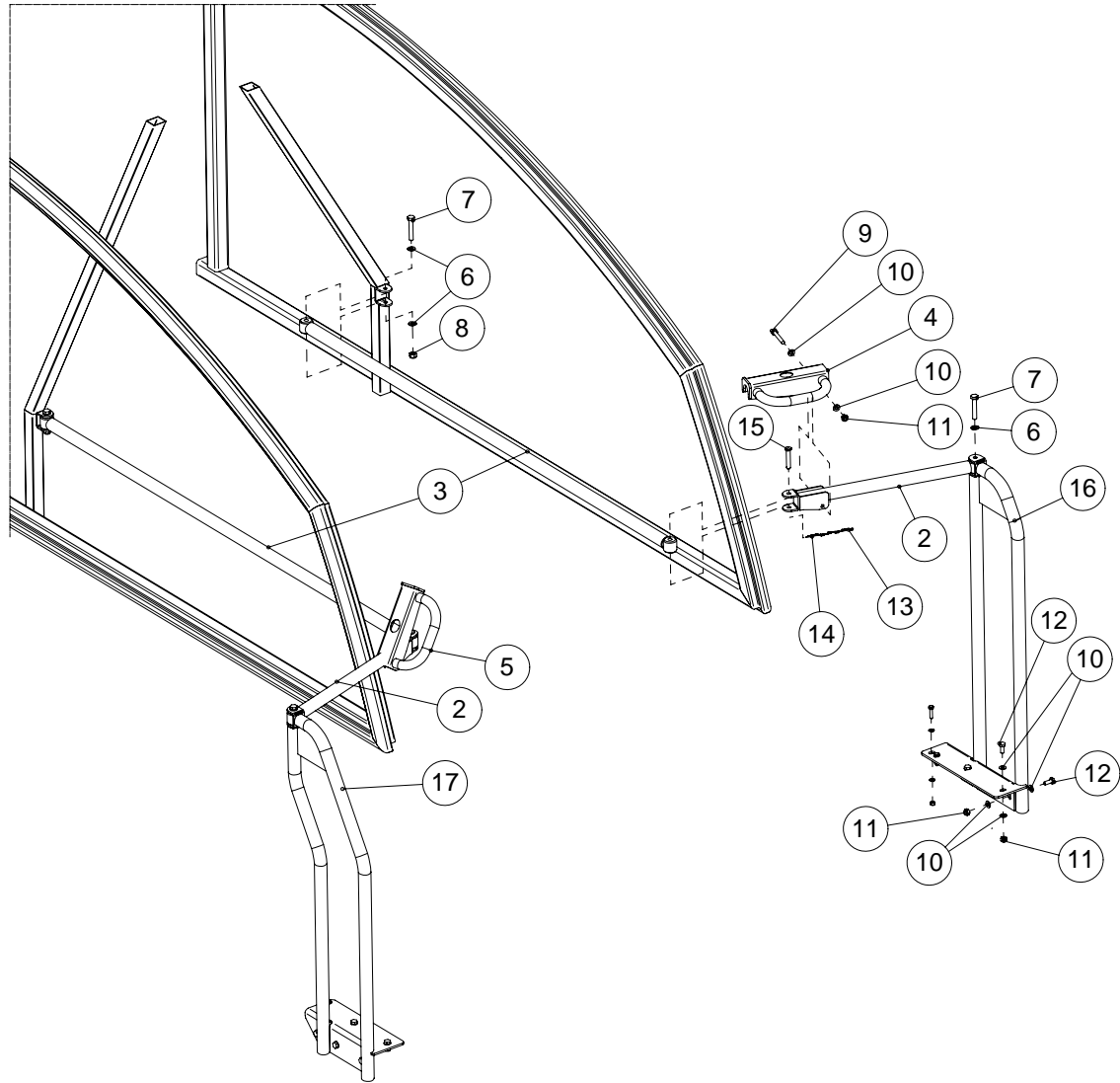




921067aA

**SN:**  
**Former:**  
**NOTE:****Framdörr**  
**Front door**  
**921067a**

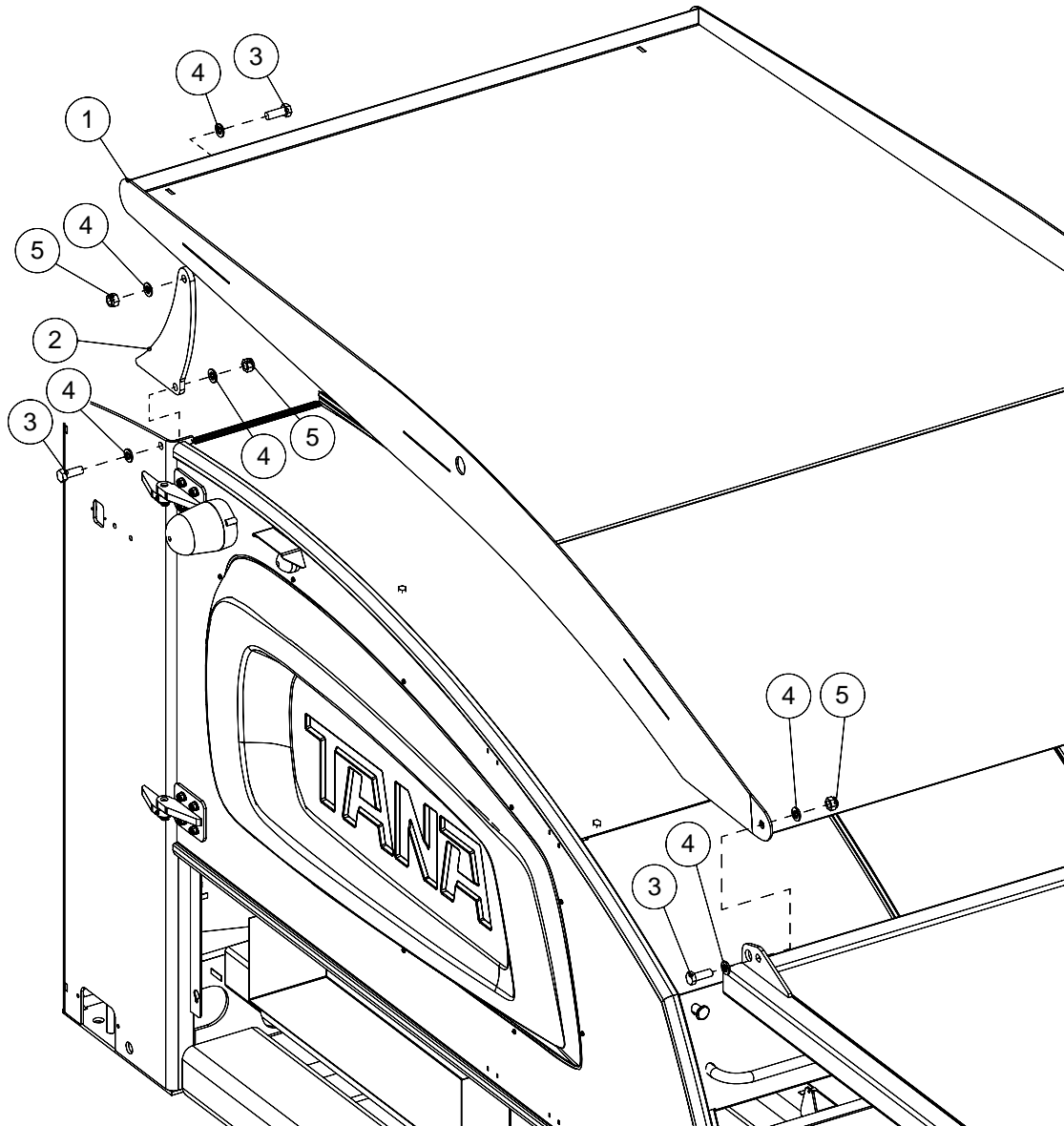
| No | Part No. | Qty | Delens benämning | Size                 | Part name     |
|----|----------|-----|------------------|----------------------|---------------|
| 1  | 921061   | 1   | Framdörr         |                      | Front door    |
| 3  | 921074   | 2   | Tätning          |                      | Seal          |
| 4  | 921073   | 2   | Tätning          |                      | Seal          |
| 5  | 921072   | 1   | Dragstång        |                      | Bar           |
| 6  | 921071   | 1   | Hake             |                      | Catch         |
| 9  | 46ADE9   | 10  | Bricka           | M10 DIN125 Zn        | Washer        |
| 10 | 41BL11   | 6   | Sexkantskruv     | M10x30 8.8 DIN933 Zn | Hex bolt      |
| 11 | 46ADC6   | 1   | Bricka           | M5 DIN 125 Zn        | Washer        |
| 12 | 47A085   | 1   | Saxsprint        |                      | Spring cotter |
| 13 | 46ADE4   | 2   | Bricka           | M8 DIN125 Zn         | Washer        |
| 14 | 47A120   | 2   | Saxsprint        | 3.2x20 DIN94         | Cotter pin    |
| 15 | 41BL09   | 2   | Sexkantskruv     | M10x25 8.8 DIN933 Zn | Hex bolt      |
| 16 | 910829   | 1   | Dragknapp        |                      | Pull knob     |
| 18 | 41BL02   | 2   | Sexkantskruv     | M10x12 8.8 DIN933 Zn | Hex bolt      |
| 21 | 910231   | 1   | Lås              |                      | Lock          |
| 22 | 917550   | 2   | Gångjärn         |                      | Hinge         |



919608bB

**SN:**  
**Former:**  
**NOTE:****Montering av stormhakar**  
**Safety catch assembly**  
**919608b**

| No | Part No. | Qty | Delens benämning | Size                 | Part name    |
|----|----------|-----|------------------|----------------------|--------------|
| 2  | 917704   | 2   | Rör              |                      | Pipe         |
| 3  | 917707   | 2   | Rör              |                      | Pipe         |
| 4  | 917729   | 1   | Hasp             |                      | Safety catch |
| 5  | 917708   | 1   | Hasp             |                      | Safety catch |
| 6  | 46ADF7   | 6   | Bricka           | M12 DIN125 Zn        | Washer       |
| 7  | 200197   | 4   | Sexkantskruv     | M12x70 8.8 DIN931 Zn | Hex bolt     |
| 8  | 45FI12   | 2   | Låsmutter, Nyloc | M12 8 DIN985 Zn      | Lock nut     |
| 9  | 41AL21   | 2   | Sexkantskruv     | M10x70 8.8 DIN931 Zn | Hex bolt     |
| 10 | 46ADE9   | 24  | Bricka           | M10 DIN125 Zn        | Washer       |
| 11 | 45FI10   | 12  | Låsmutter        | M10 8 DIN985 Zn      | Lock nut     |
| 12 | 41BL09   | 10  | Sexkantskruv     | M10x25 8.8 DIN933 Zn | Hex bolt     |
| 13 | 200695   | 2   | Knutkedja        |                      | Chain        |
| 14 | 200694   | 2   | Nålsprint        |                      | Pin          |
| 15 | 200693   | 2   | Schackelbult     |                      | Bolt         |
| 16 | 926876   | 1   | Räcke            |                      | Rail         |
| 17 | 926921   | 1   | Räcke            |                      | Rail         |
| 18 | 41AJ77   | 3   | Sexkantskruv     | M8x35 8.8 DIN931 Zn  | Hex bolt     |
| 19 | 45FI08   | 3   | Låsmutter, Nyloc | M8 8 DIN985 Zn       | Lock nut     |
| 20 | 46ADE4   | 6   | Bricka           | M8 DIN125 Zn         | Washer       |

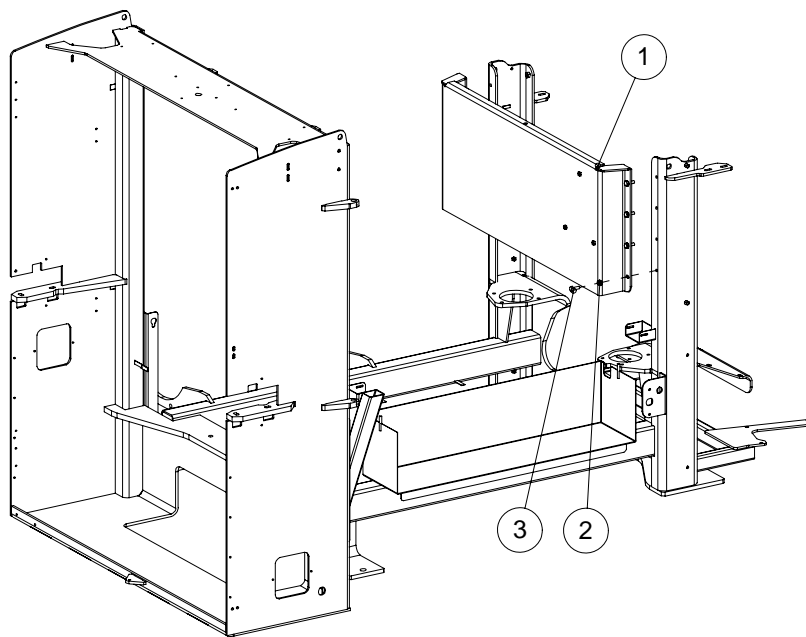


919728

**SN:**  
**Former:**  
**NOTE:**

**Montering av skyddstak**  
**Protective shelter assembly**  
**919728**

| No | Part No. | Qty | Delens benämning | Size                 | Part name |
|----|----------|-----|------------------|----------------------|-----------|
| 1  | 917941   | 1   | Skyddstak        |                      | Canopy    |
| 2  | 919729   | 2   | Främre hållare   |                      | Bracket   |
| 3  | 41BR26   | 6   | Sexkantskruv     | M20x55 8.8 DIN933 Zn | Hex bolt  |
| 4  | 46RBG9   | 12  | HV-bricka        | D21/D37 DIN 6916     | HV-washer |
| 5  | 45FI20   | 6   | Låsmutter, Nyloc | M20 8 DIN985 Zn      | Lock nut  |

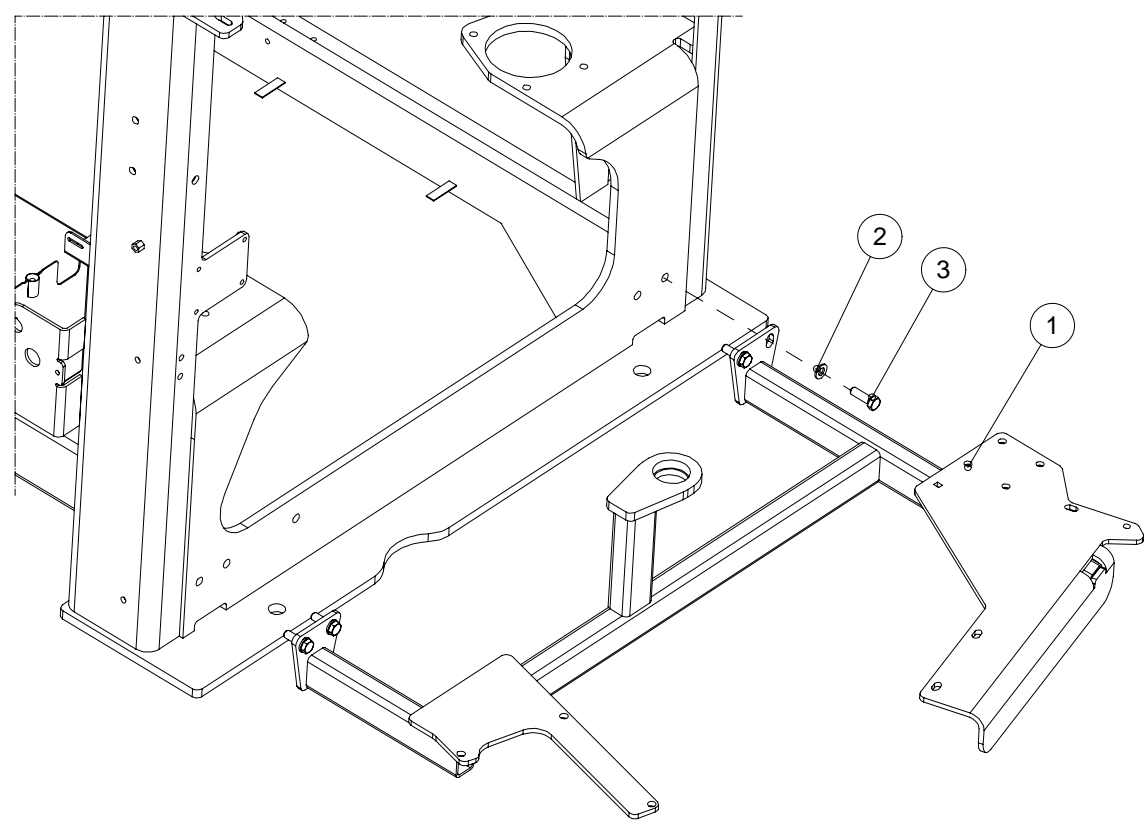


921351

**SN:**  
**Former:**  
**NOTE:**

**Montering av stödplatta**  
**Assembly of supporting plate**  
**921351**

| No | Part No. | Qty | Delens benämning | Size                 | Part name |
|----|----------|-----|------------------|----------------------|-----------|
| 1  | 921194   | 1   | Stödplatta       |                      | Plate     |
| 2  | 46ADE9   | 8   | Bricka           | M10 DIN125 Zn        | Washer    |
| 3  | 41BL11   | 8   | Sexkantskruv     | M10x30 8.8 DIN933 Zn | Hex bolt  |





171211  
ett09258

Tana SHARK 440DTeco

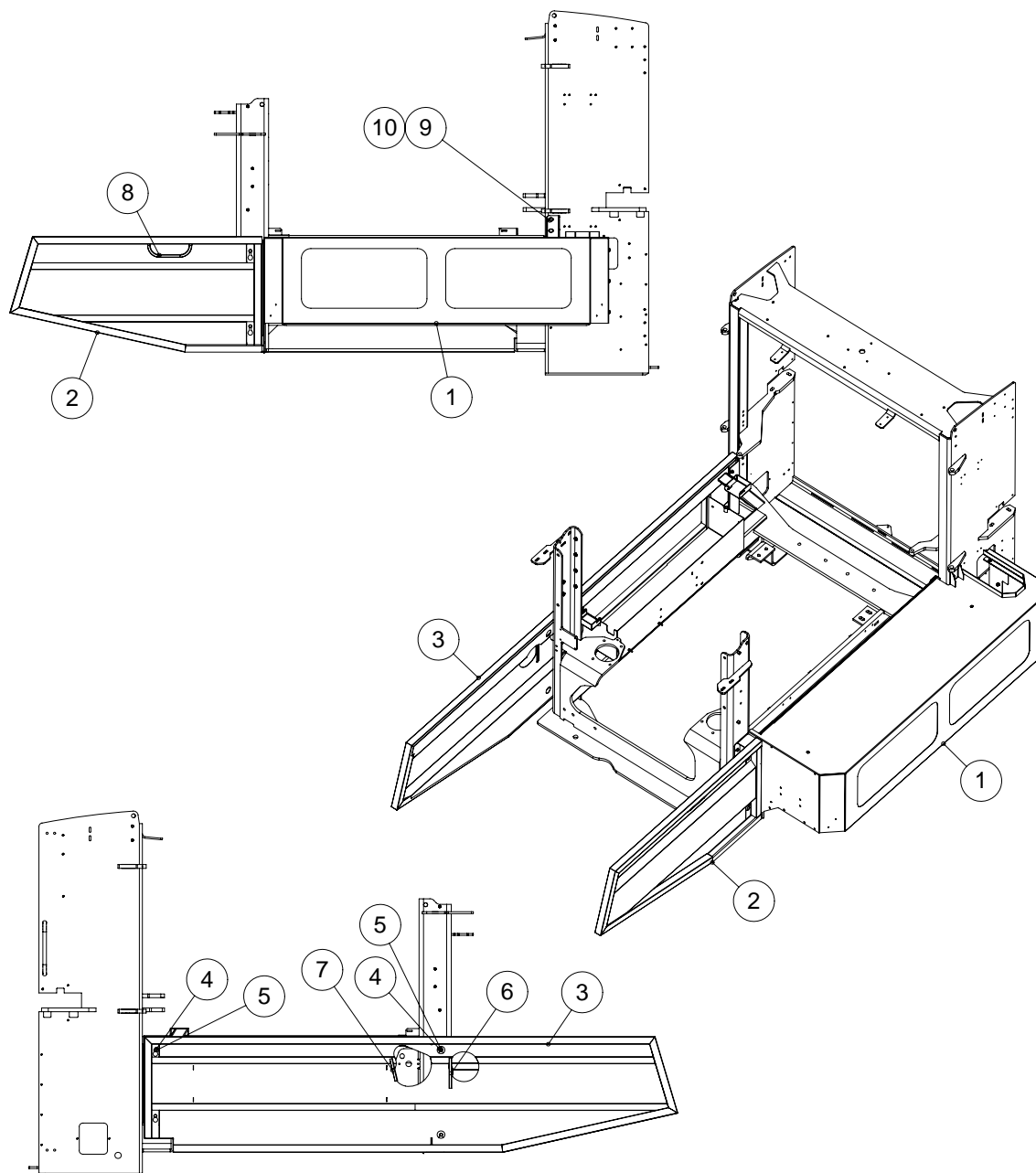
C3200

926568

**SN:**  
**Former:**  
**NOTE:**

**Stötta**  
**Bracket**  
**926568**

| No | Part No. | Qty | Delens benämning | Size                 | Part name |
|----|----------|-----|------------------|----------------------|-----------|
| 1  | 926495   | 1   | Stötta           |                      | Bracket   |
| 2  | 46ADF7   | 4   | Bricka           | M12 DIN125 Zn        | Washer    |
| 3  | 41BM51   | 4   | Sexkantskruv     | M12x40 8.8 DIN933 Zn | Hex bolt  |

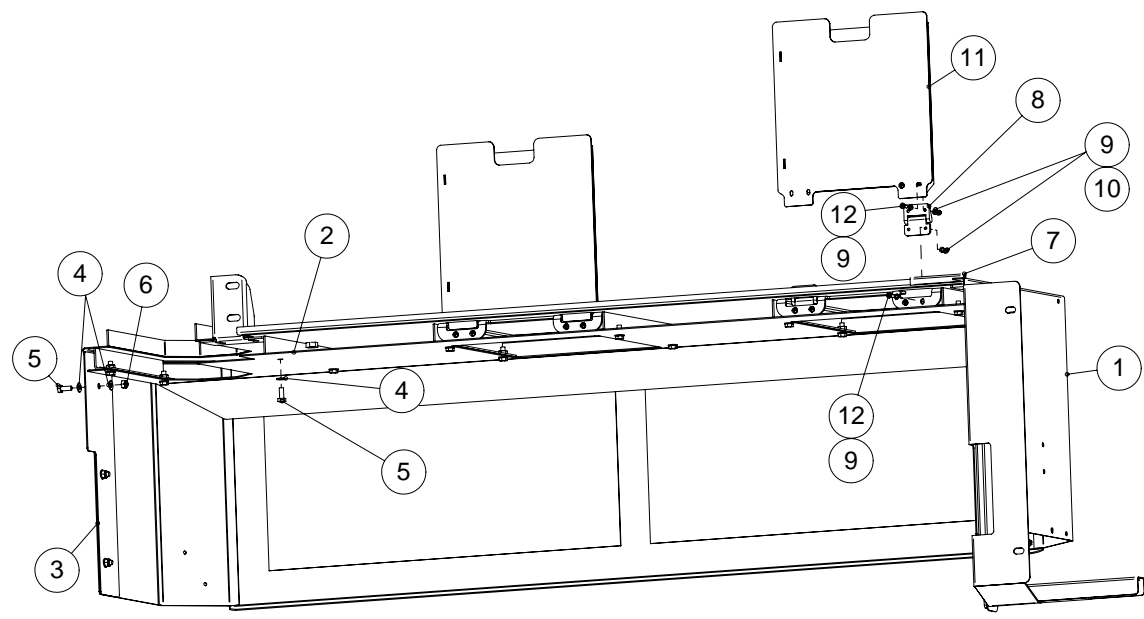


926690

**SN:**  
**Former:**  
**NOTE:**

**Montering av sidoskydd**  
**Side guard assembly**  
**926690**

| No | Part No. | Qty | Delens benämning | Size                 | Part name       |
|----|----------|-----|------------------|----------------------|-----------------|
| 1  | 926516   | 1   | Skyddskåpa       |                      | Protective case |
| 2  | 926727   | 1   | Sidoskydd        |                      | Side guard      |
| 3  | 926647   | 1   | Sidoskydd        |                      | Side guard      |
| 4  | 46ADE4   | 8   | Bricka           | M8 DIN125 Zn         | Washer          |
| 5  | 41BJ71   | 8   | Sexkantskruv     | M8x20 8.8 DIN933 Zn  | Hex bolt        |
| 6  | 34B035   | 1   | U-profilgummi    |                      | Rubber strip    |
| 7  | 34B035   | 1   | U-profilgummi    |                      | Rubber strip    |
| 8  | 41BL07   | 2   | Sexkantskruv     | M10x20 8.8 DIN933 Zn | Hex bolt        |
| 9  | 46ADE9   | 2   | Bricka           | M10 DIN125 Zn        | Washer          |

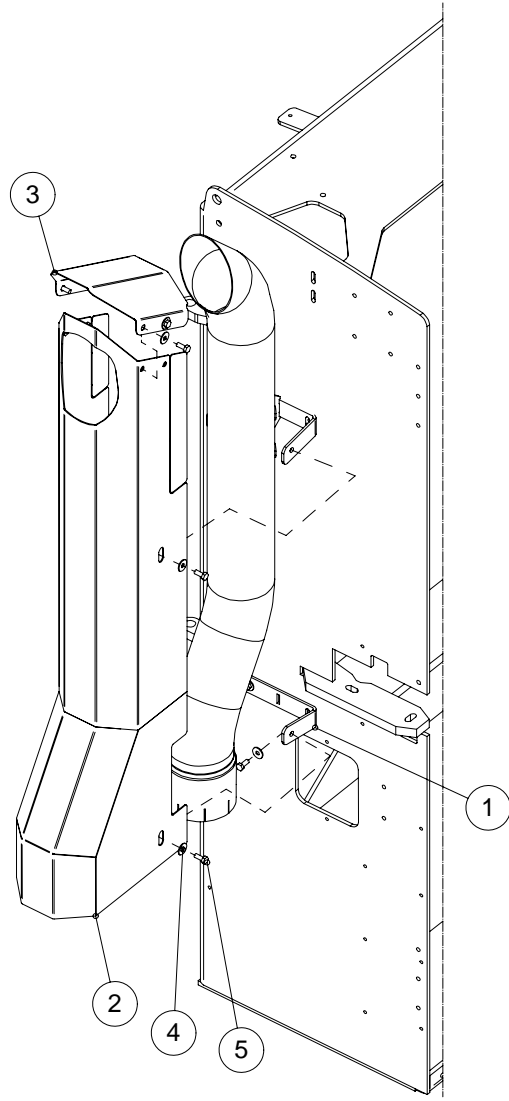


926516

**SN:**  
**Former:**  
**NOTE:**

**Skyddskåpa**  
**Protective case**  
**926516**

| No | Part No. | Qty | Delens benämning      | Size                | Part name       |
|----|----------|-----|-----------------------|---------------------|-----------------|
| 1  | 926742   | 1   | Skyddskåpa            |                     | Protective case |
| 2  | 926743   | 1   | Värmskydd             |                     | Heat shield     |
| 3  | 926744   | 1   | Täckplåt              |                     | Cover plate     |
| 4  | 46ADE4   | 18  | Bricka                | M8 DIN125 Zn        | Washer          |
| 5  | 41BJ71   | 15  | Sexkantskruv          | M8x20 8.8 DIN933 Zn | Hex bolt        |
| 6  | 45FI08   | 3   | Låsmutter, Nyloc      | M8 8 DIN985 Zn      | Lock nut        |
| 7  | 34B035   | 1   | U-profilgummi         |                     | Rubber strip    |
| 8  | 200148   | 4   | Gångjärn              |                     | Hinge           |
| 9  | 46ADC6   | 32  | Bricka                | M5 DIN 125 Zn       | Washer          |
| 10 | 45FI05   | 16  | Låsmutter, Nyloc      | M5 8 DIN985 Zn      | Lock nut        |
| 11 | 927962   | 2   | Lucka                 |                     | Hatch           |
| 12 | 41MG97   | 16  | Spårskruv, krysshuvud | M5x20 DIN7985H Zn   | Screw           |

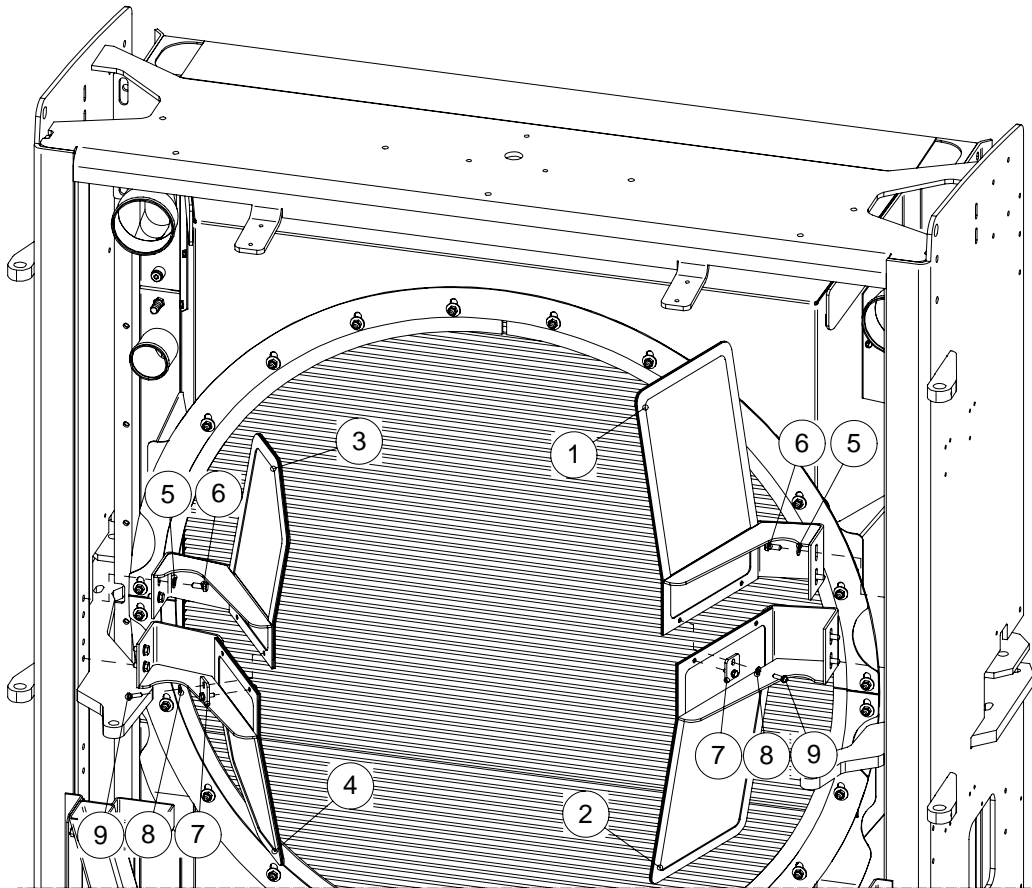


926822

**SN:**  
**Former:**  
**NOTE:**

**Värmeskydd**  
**Heat shield**  
**926822**

| No | Part No. | Qty | Delens benämning | Size                | Part name   |
|----|----------|-----|------------------|---------------------|-------------|
| 1  | 922954   | 1   | Fäste            |                     | Bracket     |
| 2  | 926823   | 1   | Värmeskydd       |                     | Heat shield |
| 3  | 925247   | 1   | Täckplåt         |                     | Cover plate |
| 4  | 46EDF2   | 10  | Karosseribricka  | M8x24 DIN9021 Zn    | Washer      |
| 5  | 41BJ71   | 10  | Sexkantskruv     | M8x20 8.8 DIN933 Zn | Hex bolt    |



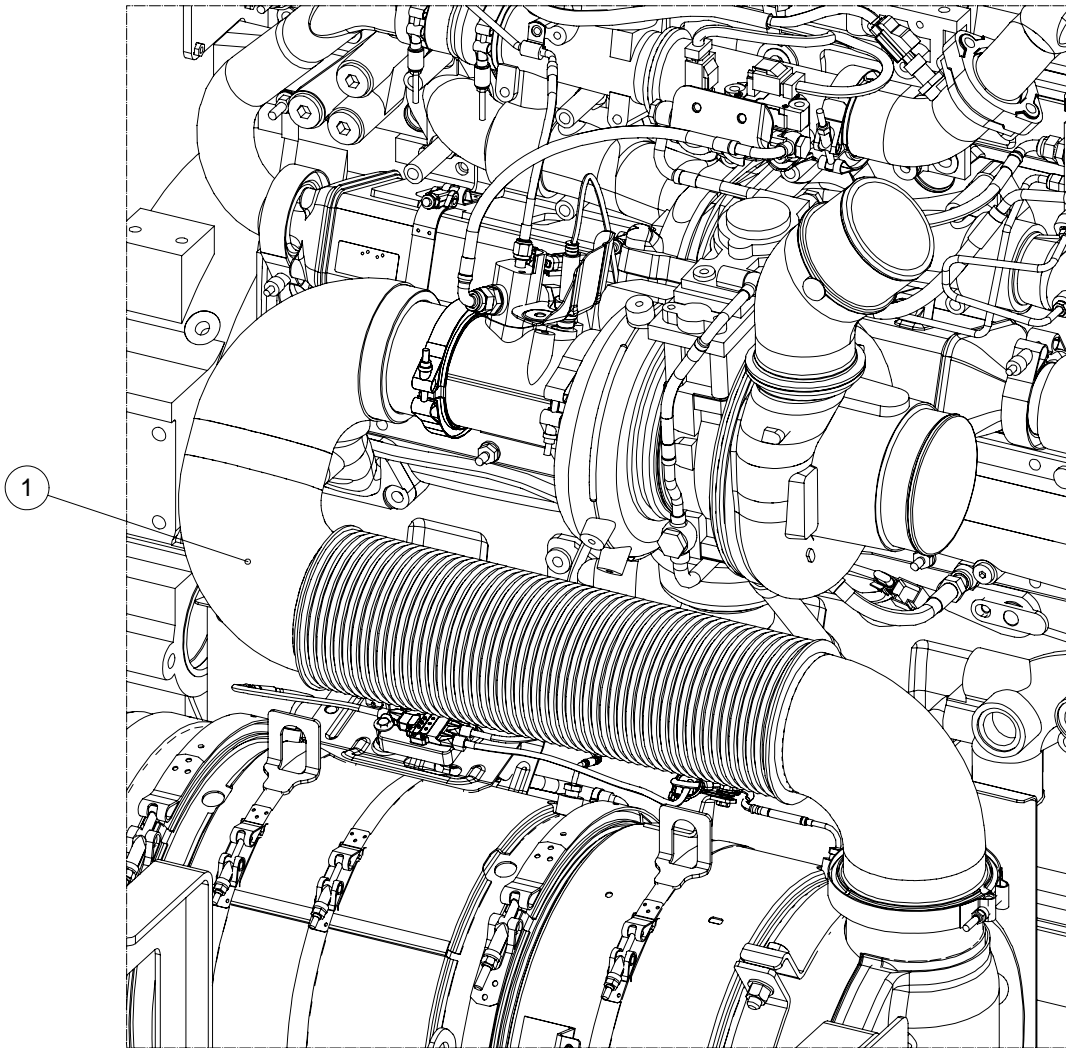


926875

**SN:**  
**Former:**  
**NOTE:**

**Fläktskydd**  
**Fan protection cover**  
**926875**

| No | Part No. | Qty | Delens benämning | Size                | Part name            |
|----|----------|-----|------------------|---------------------|----------------------|
| 1  | 926865   | 1   | Fläktskydd       |                     | Fan protection cover |
| 2  | 926898   | 1   | Fläktskydd       |                     | Fan protection cover |
| 3  | 926866   | 1   | Fläktskydd       |                     | Fan protection cover |
| 4  | 926904   | 1   | Fläktskydd       |                     | Fan protection cover |
| 5  | 46ADE4   | 8   | Bricka           | M8 DIN125 Zn        | Washer               |
| 6  | 41BJ71   | 8   | Sexkantskruv     | M8x20 8.8 DIN933 Zn | Hex bolt             |
| 7  | 926923   | 2   | Skiva            |                     | Plate                |
| 8  | 46ADD3   | 4   | Bricka           | M6 DIN125 Zn        | Washer               |
| 9  | 41BI35   | 4   | Sexkantskruv     | M6x20 8.8 DIN933 Zn | Hex bolt             |

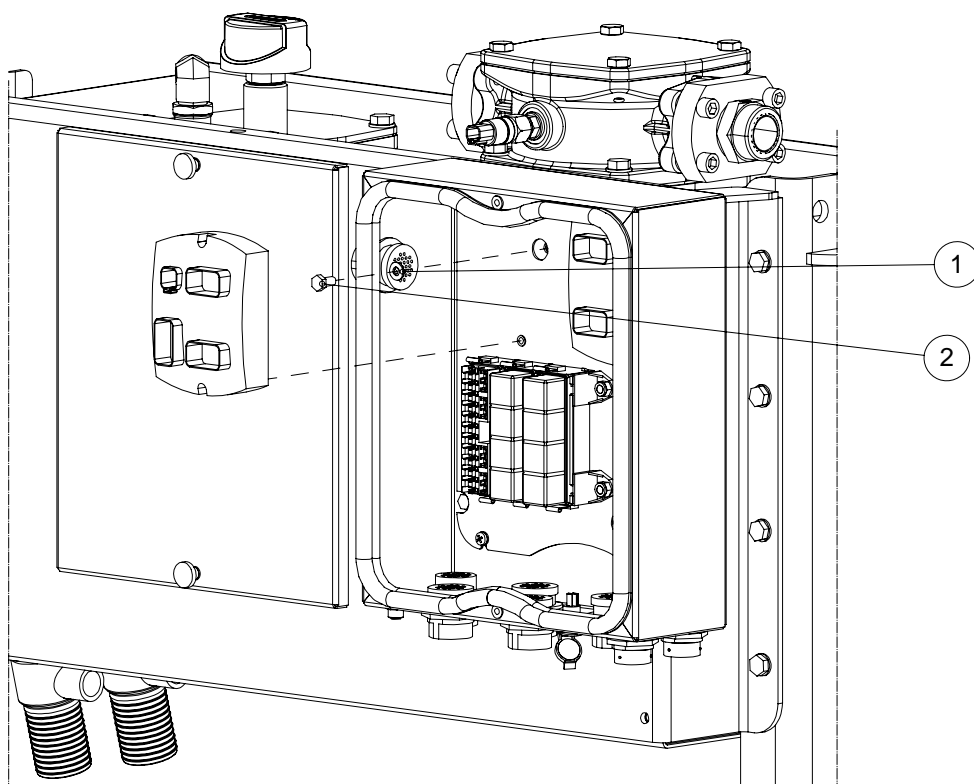


929887

**SN:**  
**Former:**  
**NOTE:**

**Montering av värmeisolering**  
**Thermal insulation assembly**  
**929887**

| No | Part No. | Qty | Delens benämning | Size | Part name          |
|----|----------|-----|------------------|------|--------------------|
| 1  | 202838   | 1   | Värmeisolering   |      | Thermal insulation |

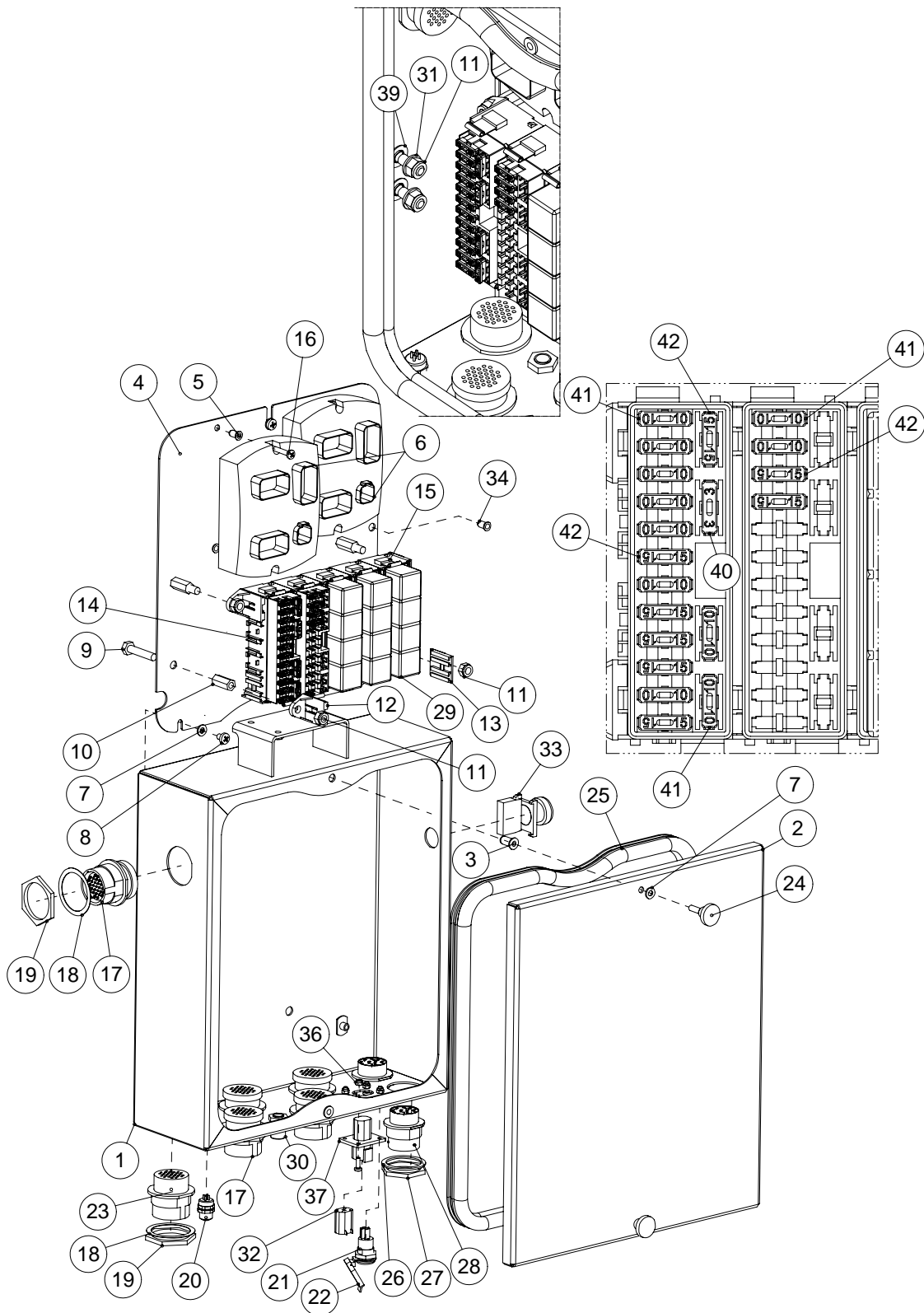


921322aA

**SN:**  
**Former:**  
**NOTE:**

**Montering av elskåp**  
**Electrical box assembly**  
**921322a**

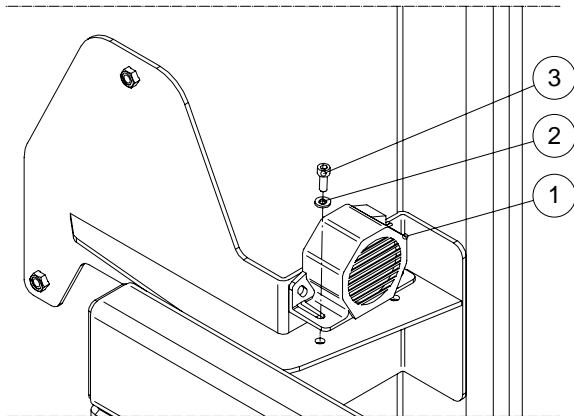
| No | Part No. | Qty | Delens benämning | Size                | Part name |
|----|----------|-----|------------------|---------------------|-----------|
| 1  | 46ADE4   | 3   | Bricka           | M8 DIN125 Zn        | Washer    |
| 2  | 41BJ69   | 3   | Sexkantskruv     | M8x16 8.8 DIN933 Zn | Hex bolt  |



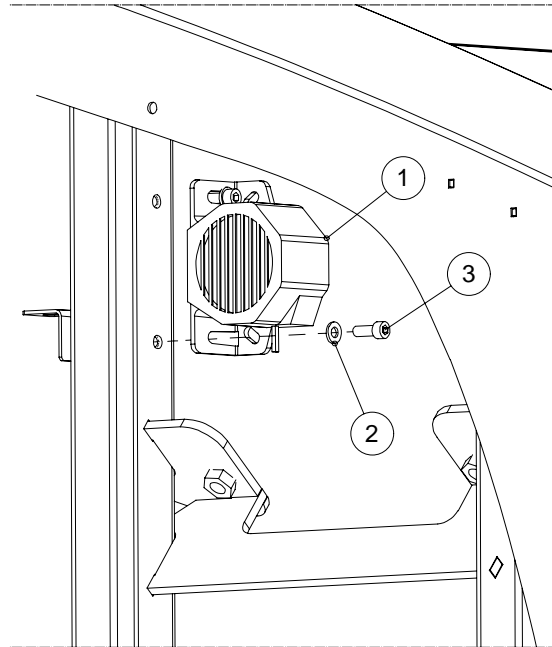
926432

**SN:**  
**Former:**  
**NOTE:****Elskåp**  
**Electrical box**  
**926432**

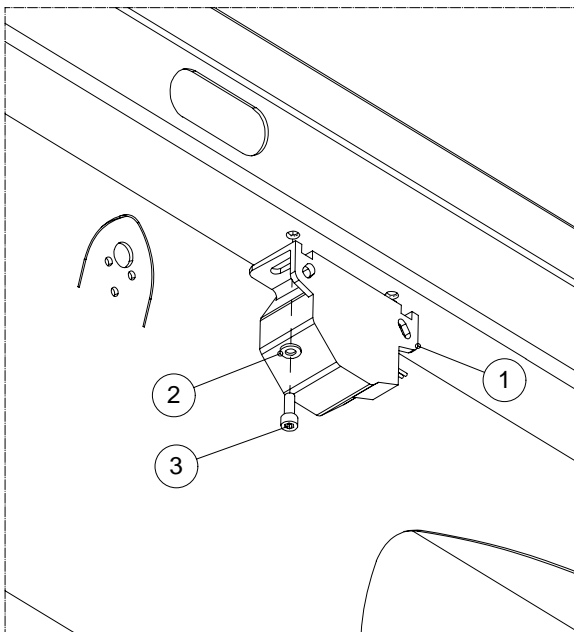
| No | Part No. | Qty | Delens benämning     | Size                | Part name              |
|----|----------|-----|----------------------|---------------------|------------------------|
| 1  | 926433   | 1   | Elskåp               |                     | Electrical box         |
| 2  | 921178   | 1   | Lock                 |                     | Cover                  |
| 3  | 47G806   | 2   | Nit med innergånga   | M6                  | Threaded rivet         |
| 4  | 926434   | 1   | Bottenplåt           |                     | Base plate             |
| 5  | 47G805   | 4   | Nit med innergånga   |                     | Threaded rivet         |
| 6  | 73R122   | 2   | Modul                |                     | Module                 |
| 7  | 46ADD3   | 5   | Bricka               | M6 DIN125 Zn        | Washer                 |
| 8  | 41MI33   | 3   | Spårskruv, tvärhuvud | M6x10 DIN7985       | Screw                  |
| 9  | 41BJ79   | 4   | Sexkantskruv         | M8x40 8.8 DIN933 Zn | Hex bolt               |
| 10 | 200280   | 4   | Skarvmutter          | M8                  | Hexagon connection nut |
| 11 | 45FI08   | 6   | Låsmutter, Nyloc     | M8 8 DIN985 Zn      | Lock nut               |
| 12 | 200277   | 2   | Fästben              |                     | Bracket                |
| 13 | 200278   | 2   | Fästben              |                     | Bracket                |
| 14 | 200275   | 2   | Säkringsbotten       |                     | Fuse base              |
| 15 | 200276   | 3   | Reläbotten           |                     | Relay base             |
| 16 | 41MG98   | 4   | Spårskruv            | M5x25 DIN7985H Zn   | Screw                  |
| 17 | 200927   | 5   | Koppling             |                     | Connector              |
| 18 | 200209   | 6   | Fjäderbricka         |                     | Spring washer          |
| 19 | 200207   | 6   | Panelmutter          |                     | Nut                    |
| 20 | 201138   | 1   | Koppling             |                     | Connector              |
| 21 | 73N022   | 1   | Uttag                |                     | Socket                 |
| 22 | 73N023   | 1   | Lock till uttag      |                     | Socket cover           |
| 23 | 200205   | 1   | Koppling             |                     | Connector              |
| 24 | 200871   | 2   | Fingerskruv          | M6x20               | Knob                   |
| 25 | 921190   | 1   | Tätning              |                     | Seal                   |
| 26 | 200931   | 2   | Fjäderbricka         |                     | Spring washer          |
| 27 | 200930   | 2   | Panelmutter          |                     | Nut                    |
| 28 | 201102   | 2   | Koppling             |                     | Connector              |
| 29 | 201191   | 12  | Relä                 |                     | Relay                  |
| 30 | 202053   | 2   | NH-kopplingsats      |                     | NH cable gland set     |
| 31 | 46ADE4   | 2   | Bricka               | M8 DIN125 Zn        | Washer                 |
| 32 | 926451   | 1   | Hylsstomme           |                     | Socket frame           |
| 33 | 926506   | 1   | Tryckknapp           |                     | Push button            |
| 34 | 47G805   | 2   | Nit med innergånga   |                     | Threaded rivet         |
| 35 | 200118   | 4   | Krysspårskruv        | M4x10 DIN7985H Zn   | Screw                  |
| 36 | 45FI04   | 4   | Låsmutter, Nyloc     | M4 8 DIN985 Zn      | Lock nut               |
| 37 | 201614   | 1   | Koppling             |                     | Receptacle, pin        |
| 39 | 46RDE9   | 2   | Stjärnbricka         | M10 DIN6798 A Zn    | Star washer            |
| 40 | 73D131   | 1   | Säkring              | 3A                  | Fuse                   |
| 41 | 73D132   | 11  | Säkring              | 10A                 | Fuse                   |
| 42 | 73D135   | 8   | Säkring              | 15A                 | Fuse                   |



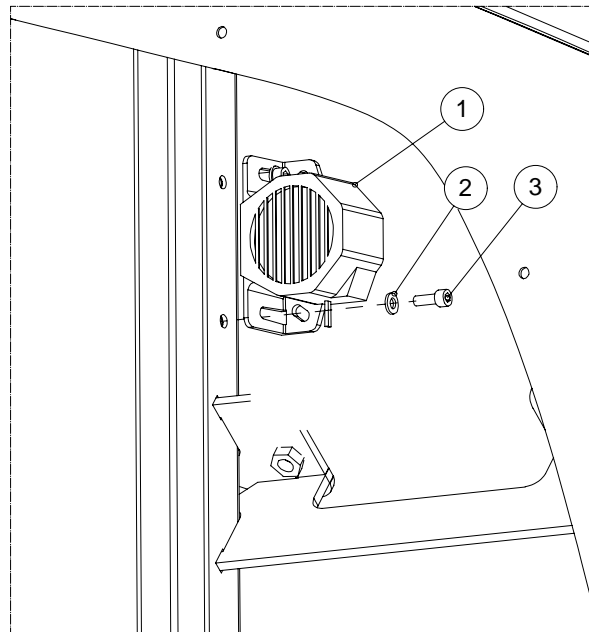
TANA Screen 6D



TANA E380-E520 & Shark 220 & 440



TANA E260 & E320



TANA BioChipper 91-58D



171211  
ett09258

Tana SHARK 440DTeco

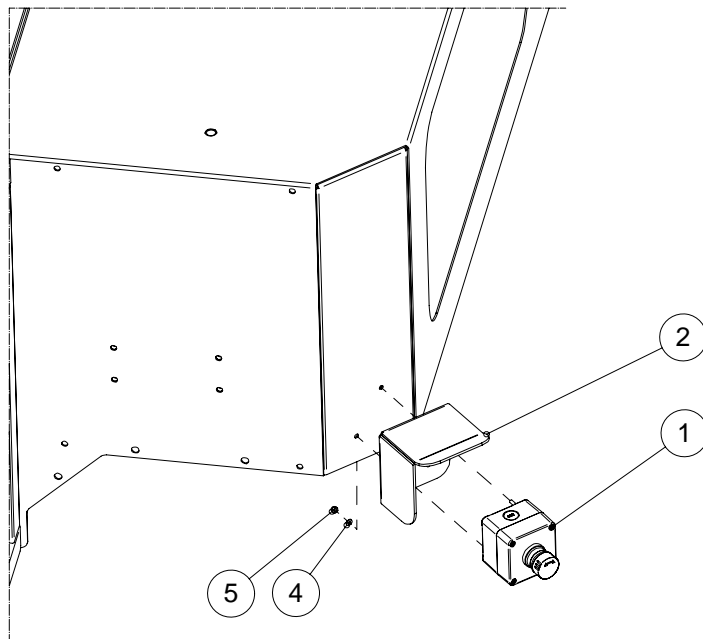
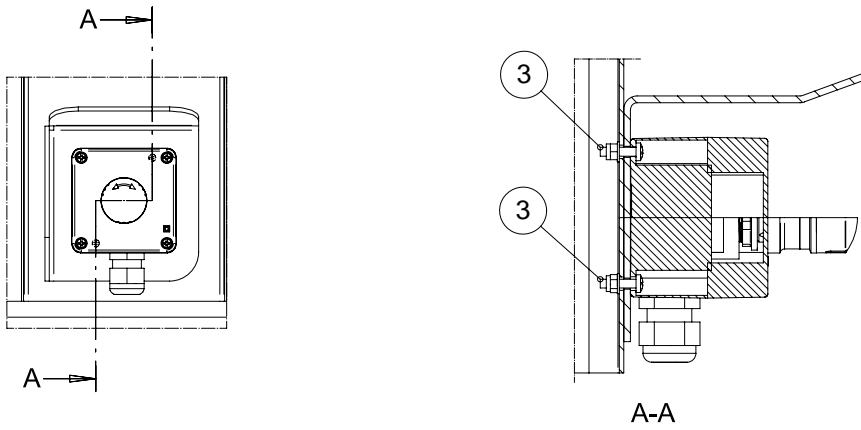
C3900

922506bB

**SN:**  
**Former:**  
**NOTE:**

**Ljudsignal**  
**Horn**  
**922506b**

| No | Part No. | Qty | Delens benämning | Size                | Part name   |
|----|----------|-----|------------------|---------------------|-------------|
| 1  | 200265   | 1   | Siren            |                     | Horn        |
| 2  | 46ADD3   | 2   | Bricka           | M6 DIN125 Zn        | Washer      |
| 3  | 201441   | 2   | Insexskruv       | M6x16 8.8 DIN912 Zn | Allen screw |

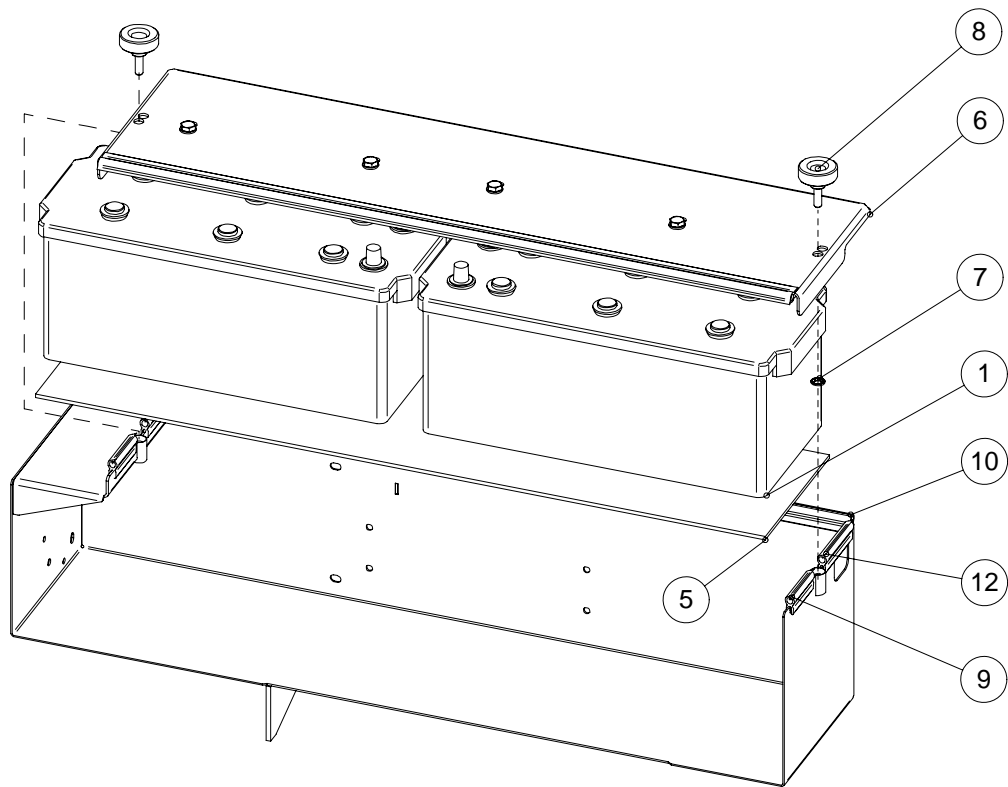


927008

**SN:**  
**Former:**  
**NOTE:**

**Nödstoppskontakt**  
**Emergency stop switch**  
**927008**

| No | Part No. | Qty | Delens benämning | Size              | Part name             |
|----|----------|-----|------------------|-------------------|-----------------------|
| 1  | 922319   | 1   | Nödstoppskontakt |                   | Emergency stop switch |
| 2  | 922683   | 1   | Fästplatta       |                   | Fixing plate          |
| 3  | 41MG82   | 2   | Spårskruv        | M4x16 DIN7985H Zn | Screw                 |
| 4  | 46ADC3   | 2   | Bricka           | M4 DIN 125 Zn     | Washer                |
| 5  | 45FI04   | 2   | Låsmutter, Nyloc | M4 8 DIN985 Zn    | Lock nut              |

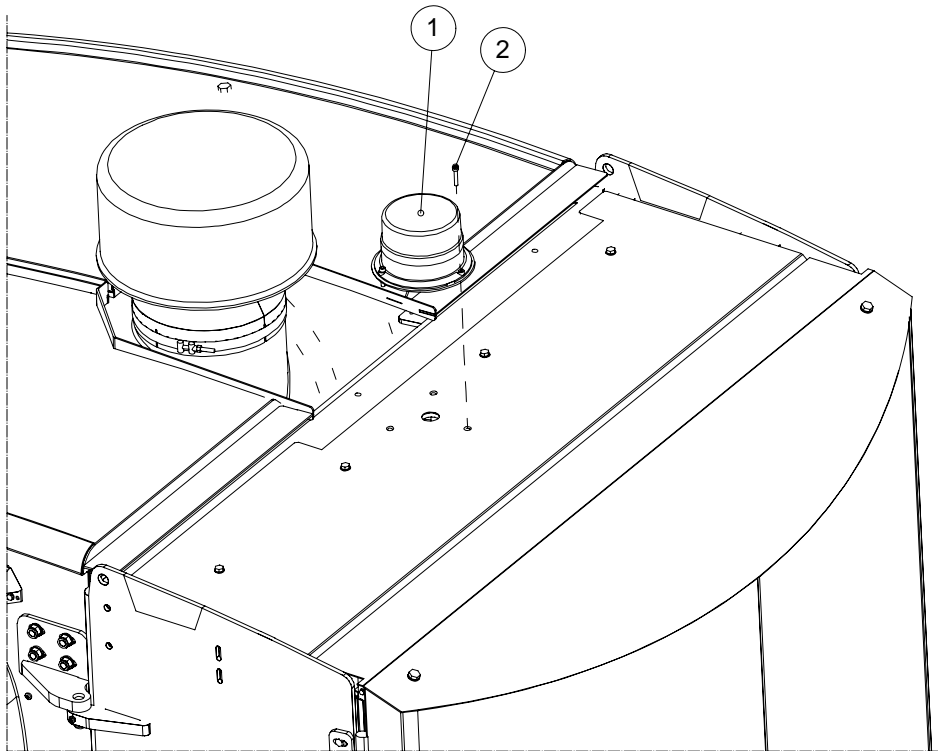


926257bB

**SN:**  
**Former:**  
**NOTE:**

**Montering av batterier**  
**Batteries**  
**926257b**

| No | Part No. | Qty | Delens benämning | Size | Part name      |
|----|----------|-----|------------------|------|----------------|
| 1  | 200372   | 2   | Batteri          |      | Battery        |
| 5  | 913795   | 1   | Gummiplatta      |      | Rubber plate   |
| 6  | 928249   | 1   | Lock             |      | Cover          |
| 7  | 202011   | 2   | Låsring          |      | Locking washer |
| 8  | 49A3HQ3  | 2   | Fingerskruv      |      | Knob           |
| 9  | 34B107   | 2   | Kanttätning      |      | Edge gasket    |
| 10 | 34B107   | 1   | Kanttätning      |      | Edge gasket    |
| 12 | 34B107   | 2   | Kanttätning      |      | Edge gasket    |



171211  
ett09258

Tana SHARK 440DTeco

C4200

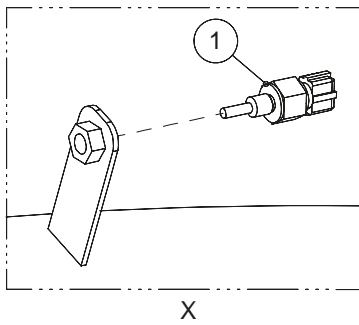
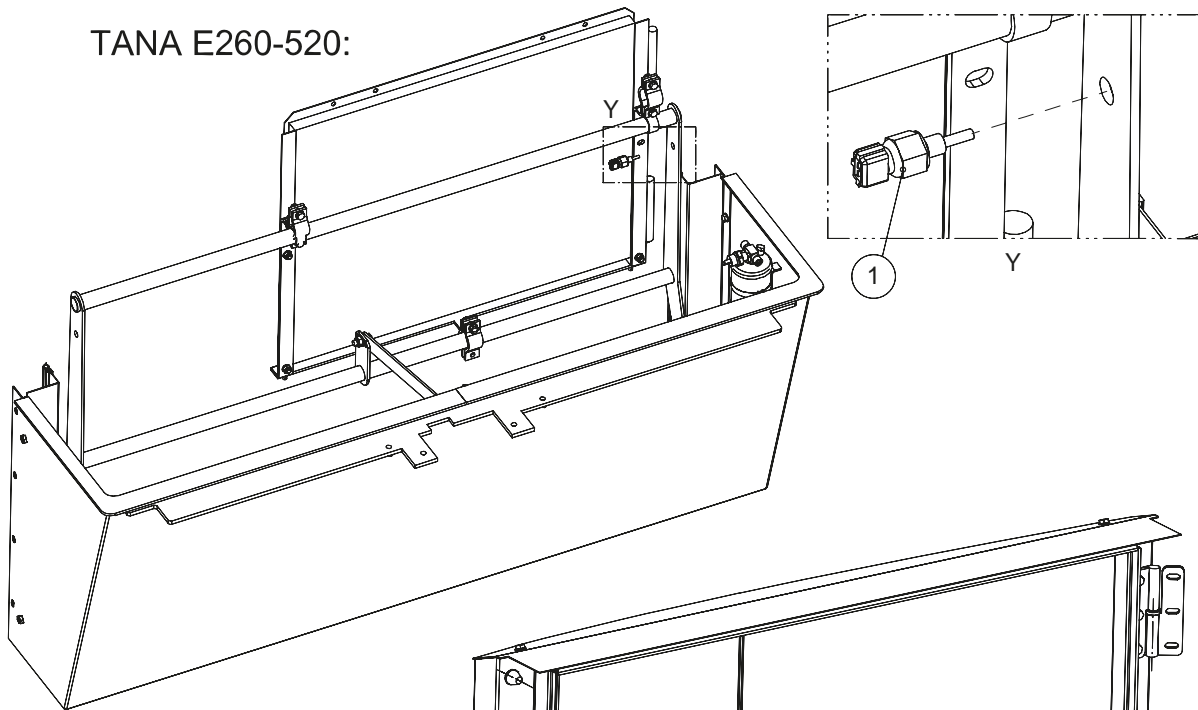
922162aA

**SN:**  
**Former:**  
**NOTE:**

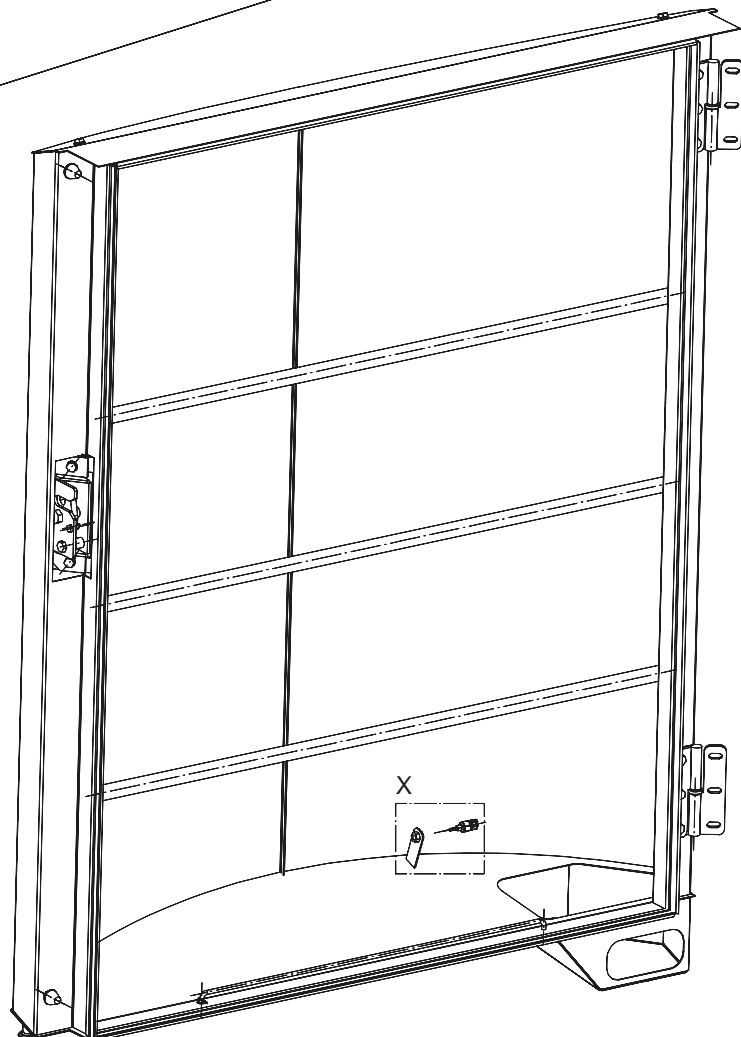
**Larmljus  
Beacon  
922162a**

| No | Part No. | Qty | Delens benämning | Size                | Part name     |
|----|----------|-----|------------------|---------------------|---------------|
| 1  | 922163   | 1   | Larmljus         |                     | Warning light |
| 2  | 201419   | 3   | Insexskruv       | M6x30 8.8 DIN912 Zn | Allen screw   |

TANA E260-520:



TANA Shark 220&440,  
TANA BioChipper:





171211  
ett09258

Tana SHARK 440DTeco

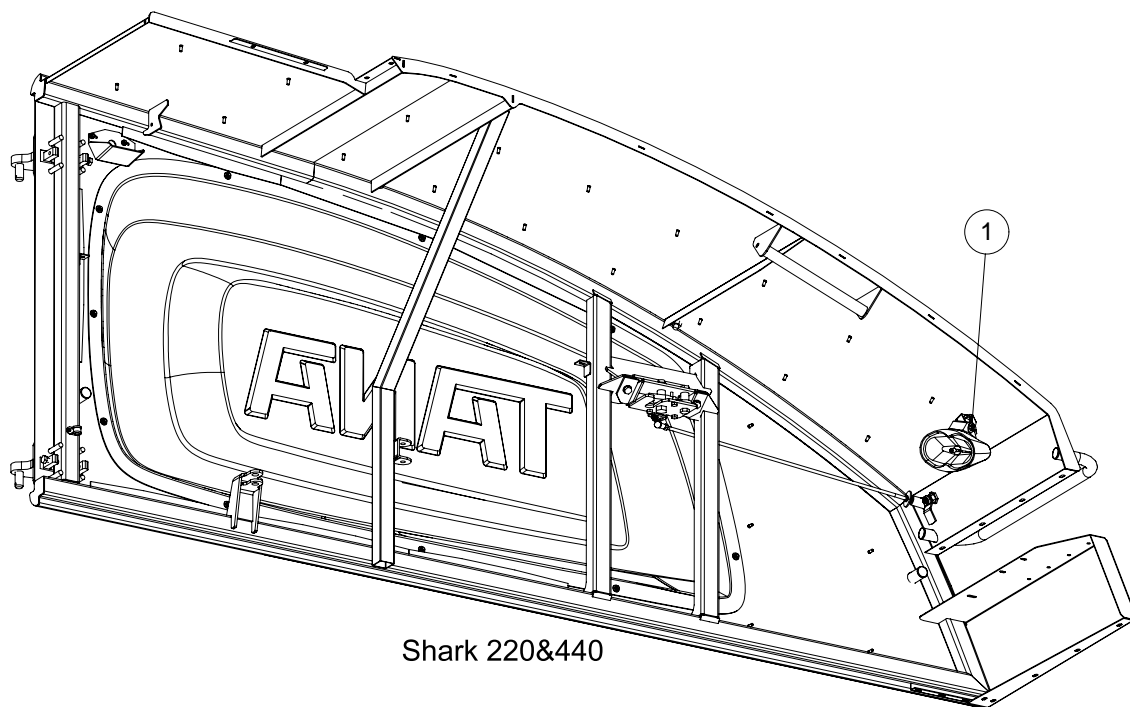
C4300

923569

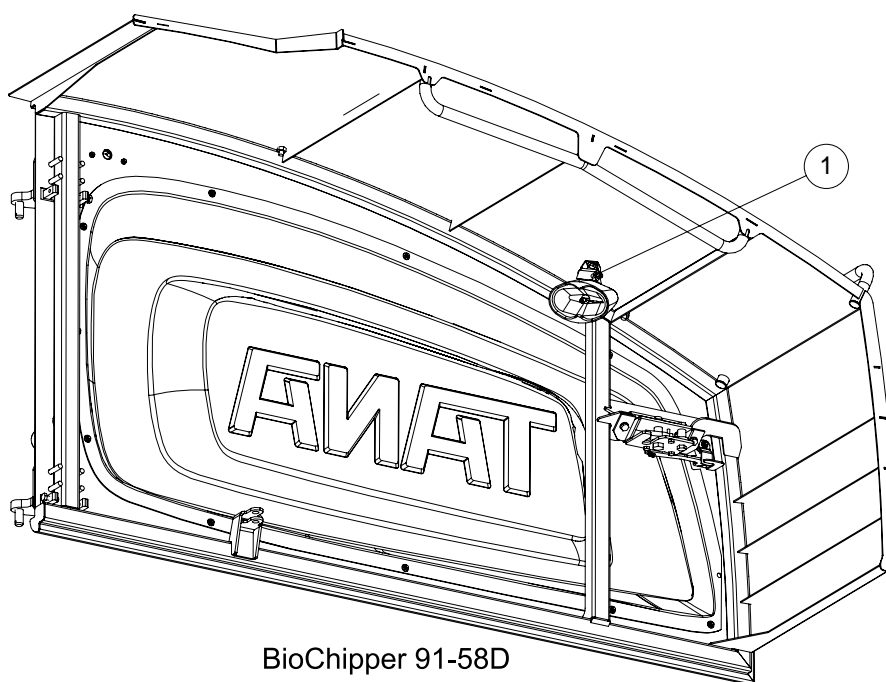
**SN:**  
**Former:**  
**NOTE:**

**Temperaturgivare**  
**Temperature sensor**  
**923569**

| No | Part No. | Qty | Delens benämning | Size | Part name          |
|----|----------|-----|------------------|------|--------------------|
| 1  | 73B074   | 1   | Temperaturgivare |      | Temperature sensor |



Shark 220&440



BioChipper 91-58D

171211  
ett09258

Tana SHARK 440DTeco

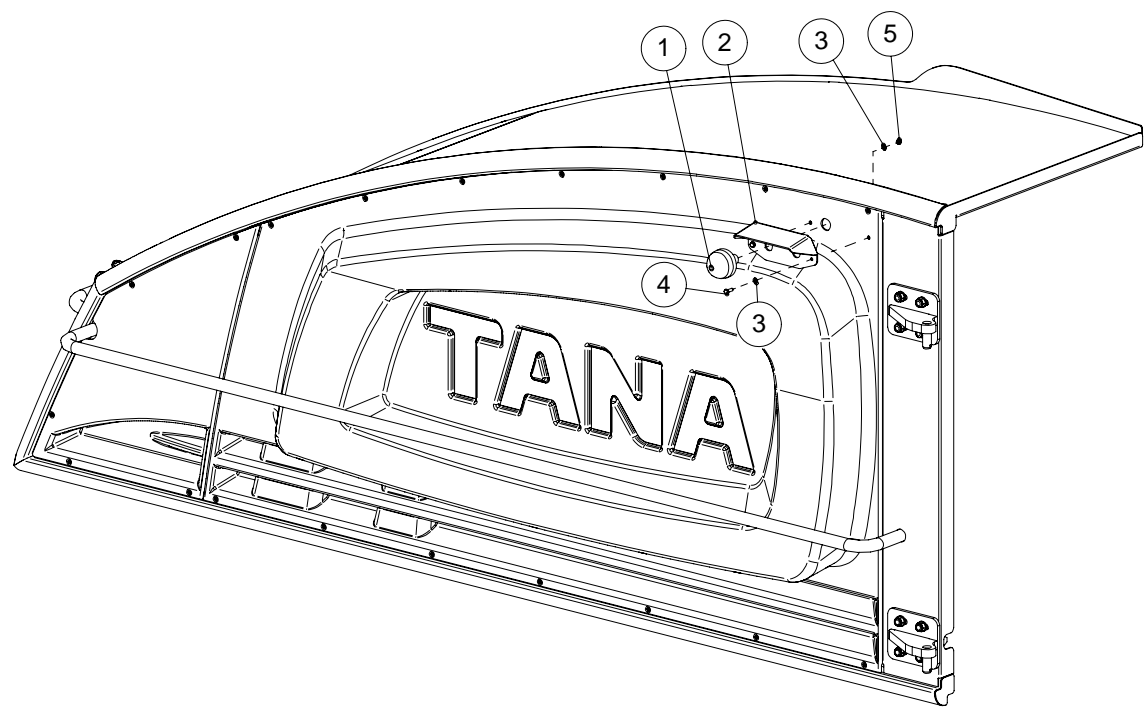
C4400

924313

**SN:**  
**Former:**  
**NOTE:**

**ServiceIjus**  
**Service light**  
**924313**

| No | Part No. | Qty | Delens benämning | Size | Part name  |
|----|----------|-----|------------------|------|------------|
| 1  | 73E019   | 2   | Arbetsbelysning  |      | Work light |



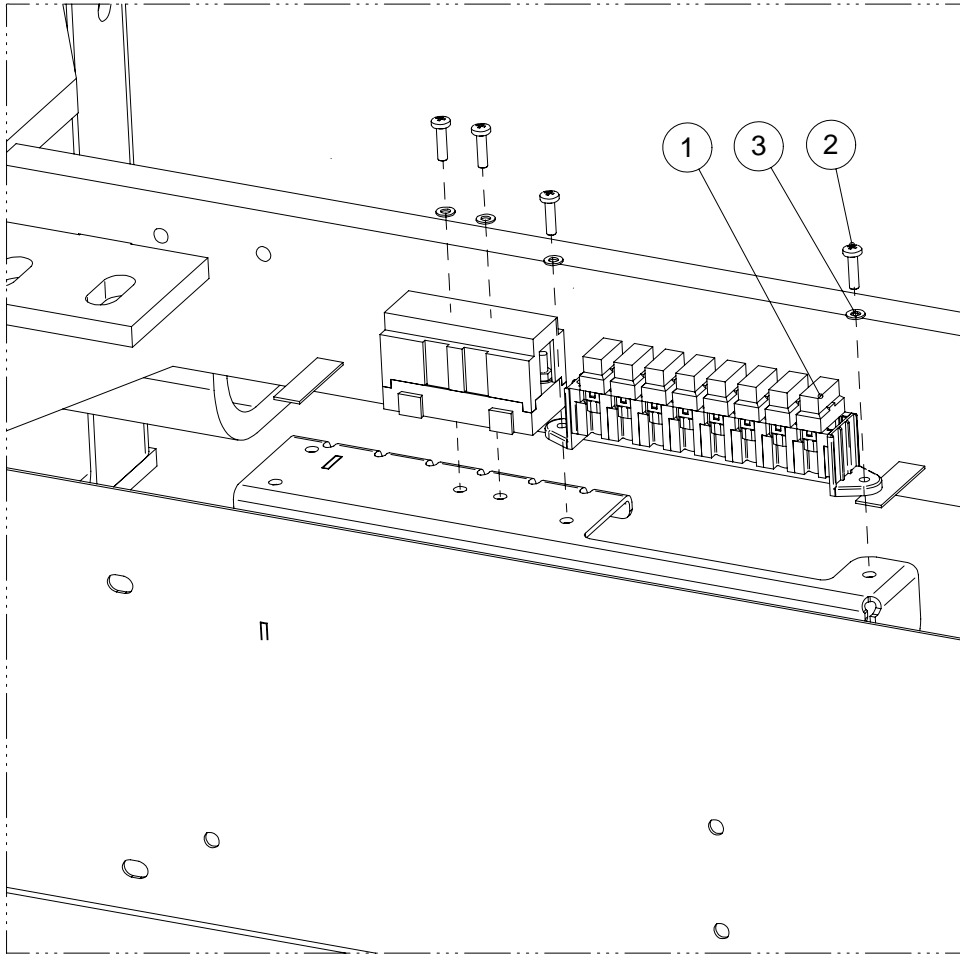
927005

**SN:**  
**Former:**  
**NOTE:**

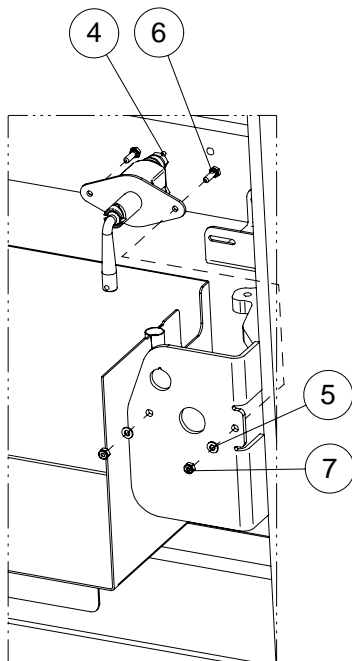
**Signallampa**  
**Signal light**  
**927005**

| No | Part No. | Qty | Delens benämning | Size                | Part name       |
|----|----------|-----|------------------|---------------------|-----------------|
| 1  | 200034   | 2   | Indikeringslampa |                     | Indicator light |
| 2  | 927006   | 2   | Skyddskåpa       |                     | Protective case |
| 3  | 46ADD3   | 8   | Bricka           | M6 DIN125 Zn        | Washer          |
| 4  | 41BI35   | 4   | Sexkantsskruv    | M6x20 8.8 DIN933 Zn | Hex bolt        |
| 5  | 45FI06   | 4   | Låsmutter, Nyloc | M6 8 DIN985 Zn      | Lock nut        |

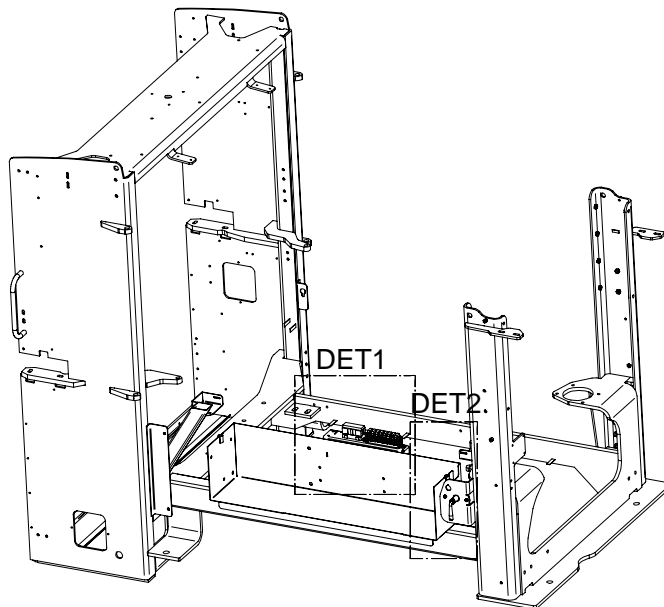
926795



DET1



DET2



DET1

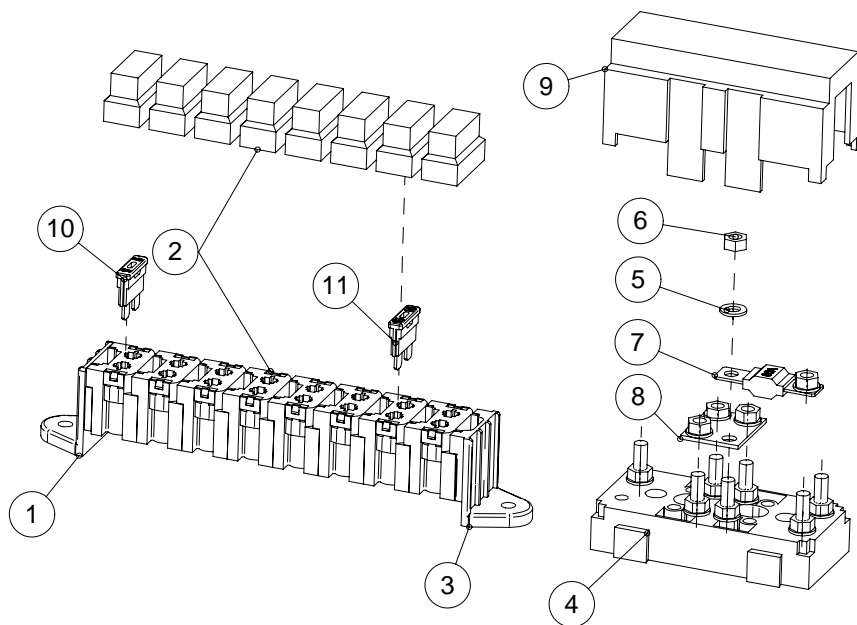
DET2

926795

**SN:**  
**Former:**  
**NOTE:**

**Motorns elutrustning**  
**Engine electrical equipments**  
**926795**

| No | Part No. | Qty | Delens benämning      | Size                | Part name   |
|----|----------|-----|-----------------------|---------------------|-------------|
| 1  | 927163   | 1   | Säkringsdosa          | FPP                 | Fuse box    |
| 2  | 41MG97   | 4   | Spårskruv, krysshuvud | M5x20 DIN7985H Zn   | Screw       |
| 3  | 46ADC6   | 4   | Bricka                | M5 DIN 125 Zn       | Washer      |
| 4  | 73G085   | 1   | Huvudströmbrytare     |                     | Main switch |
| 5  | 46ADD3   | 2   | Bricka                | M6 DIN125 Zn        | Washer      |
| 6  | 41BI35   | 2   | Sexkantskruv          | M6x20 8.8 DIN933 Zn | Hex bolt    |
| 7  | 45AI06   | 2   | Insexmutter           | M6 8 DIN934 Zn      | Hex nut     |





927163

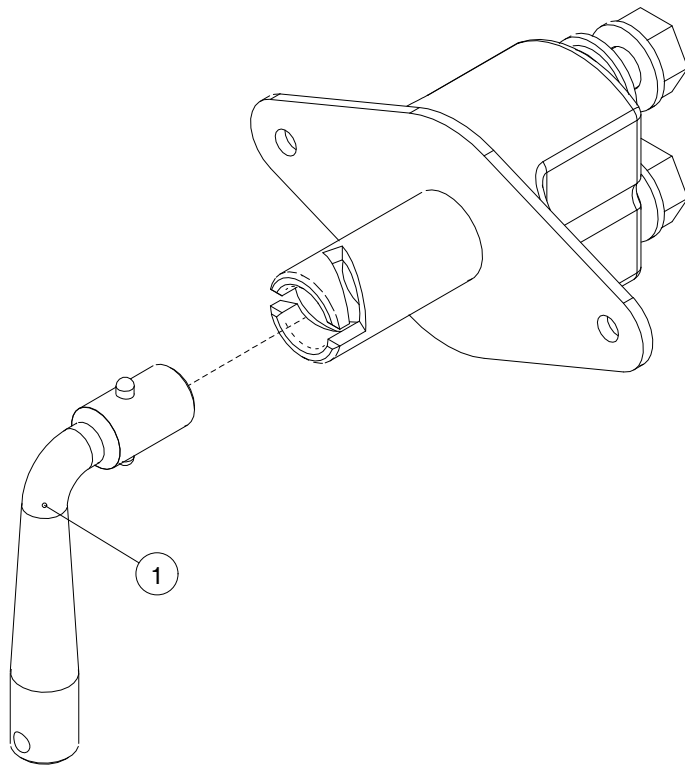
**SN:**  
**Former:**  
**NOTE:**

**Säkringsdosa**  
**Fuse box**  
**927163**

| No | Part No. | Qty | Delens benämning      | Size           | Part name      |
|----|----------|-----|-----------------------|----------------|----------------|
| 1  | 202267   | 1   | Fäste                 |                | Fixing leg     |
| 2  | 202269   | 8   | Säkringsdosa          |                | Fuse box       |
| 3  | 202268   | 1   | Fäste                 |                | Fixing leg     |
| 4  | 73D140   | 1   | Säkringsbotten        |                | Fuse base      |
| 5  | 46ADC6   | 5   | Bricka                | M5 DIN 125 Zn  | Washer         |
| 6  | 45AI05   | 5   | Sexkantmutter         | M5 8 DIN934 Zn | Hex nut        |
| 7  | 73D138   | 1   | Säkring               | 60A            | Fuse           |
| 8  | 73D142   | 1   | Kortslutningsplatta   |                | Plate          |
| 9  | 73D141   | 1   | Lock till säkringsbox |                | Fuse box cover |
| 10 | 73D133   | 1   | Säkring               | 5A             | Fuse           |
| 11 | 73D135   | 1   | Säkring               | 15A            | Fuse           |

73G085

---



171211  
ett09258

Tana SHARK 440DTeco

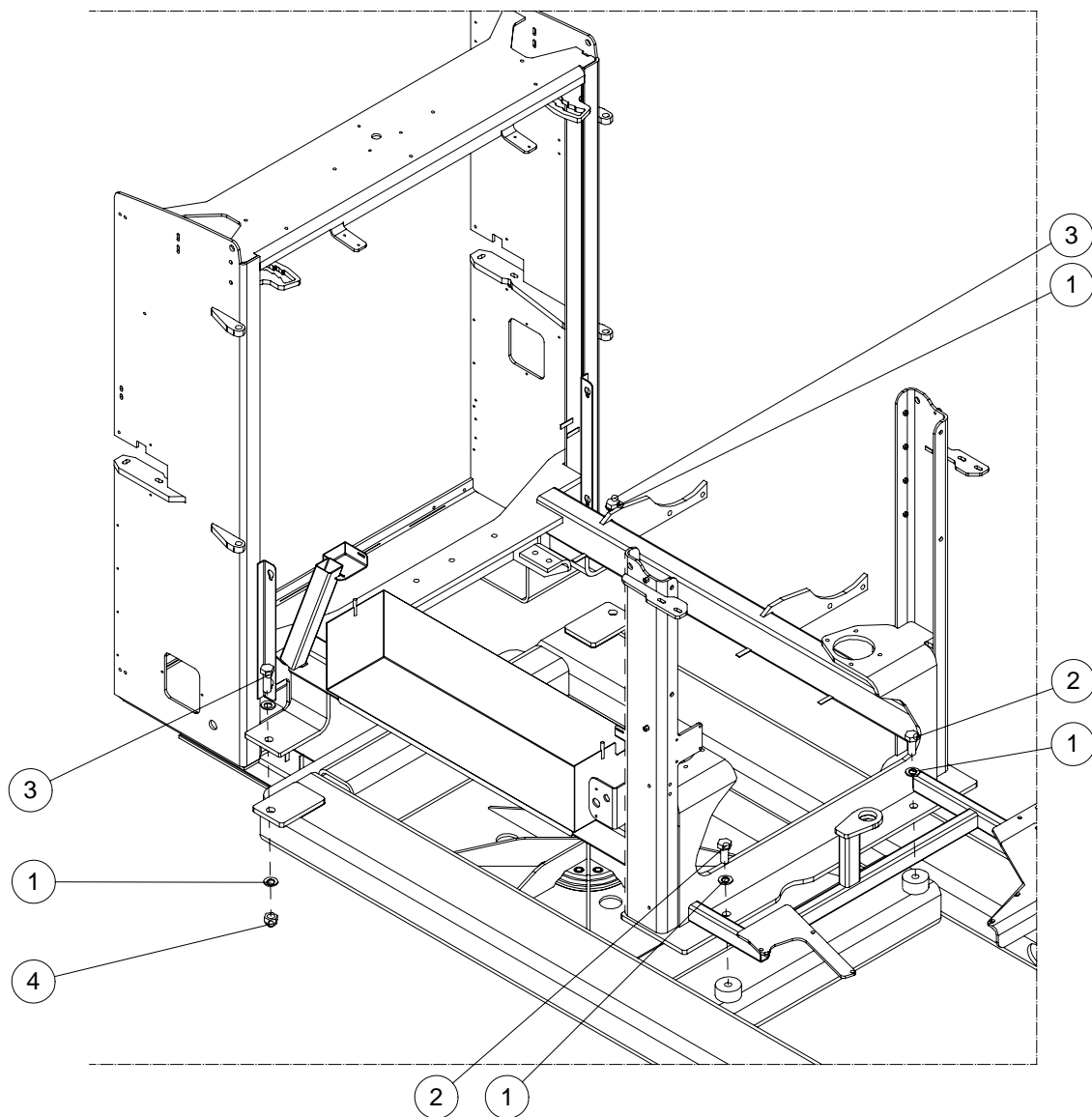
C4620

73G085

**SN:**  
**Former:**  
**NOTE:**

**Huvudströmbrytare**  
**Main switch**  
**73G085**

| No | Part No. | Qty | Delens benämning              | Size | Part name |
|----|----------|-----|-------------------------------|------|-----------|
| 1  | 73G081   | 1   | Nyckel till huvudströmbrytare |      | Key       |

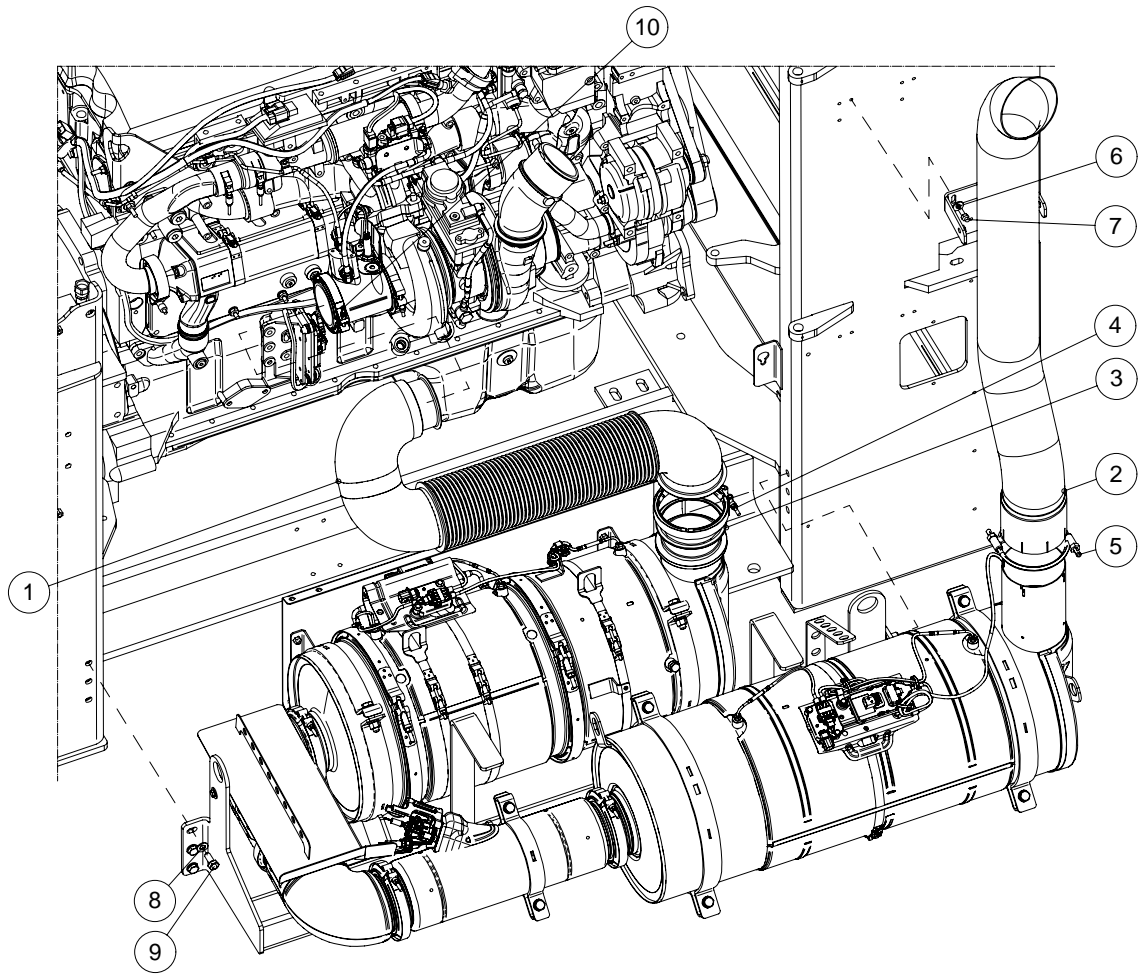


922573

**SN:**  
**Former:**  
**NOTE:**

**Powerpack underrede**  
**Powerpack frame**  
**922573**

| No | Part No. | Qty | Delens benämning | Size               | Part name |
|----|----------|-----|------------------|--------------------|-----------|
| 1  | 46RBH2   | 6   | HV-bricka        | D25/D44 DIN6916    | HV-washer |
| 2  | 40D080   | 2   | Sexkantskruv     | M24x55 10.9 DIN933 | Hex bolt  |
| 3  | 40D091   | 2   | Sexkantskruv     | M24x70 10.9 DIN931 | Hex bolt  |
| 4  | 45FI24   | 2   | Låsmutter, Nyloc | M24 8 DIN985 Zn    | Lock nut  |



926214

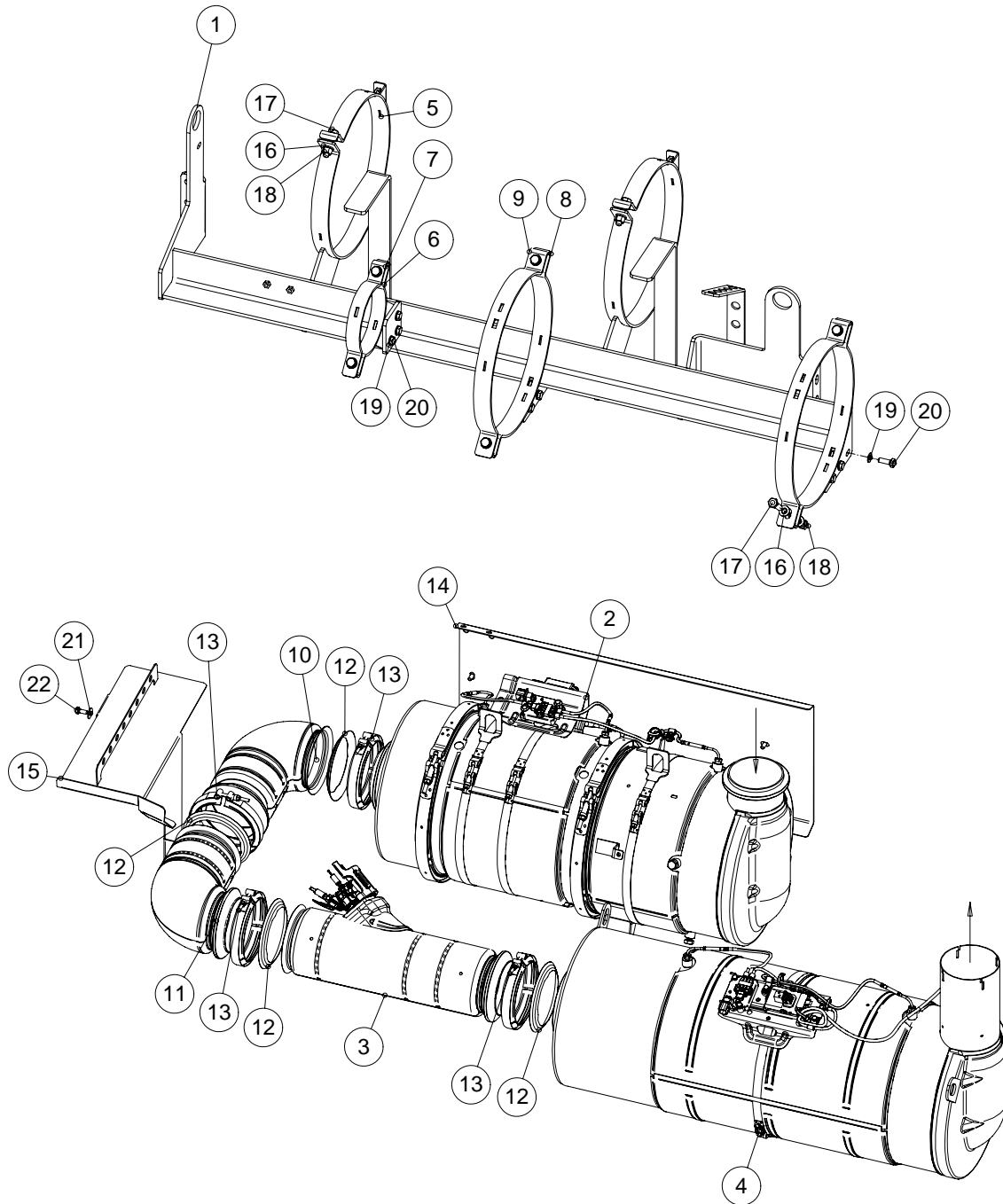
**SN:**

**Former:**

**NOTE:**

**Montering av  
efterbehandlingsanordning  
Aftertreatment device assembly  
926214**

| No | Part No. | Qty | Delens benämning       | Size                 | Part name          |
|----|----------|-----|------------------------|----------------------|--------------------|
| 1  | 926504   | 1   | Avgasrör               |                      | Exhaust pipe       |
| 2  | 928478   | 1   | Avgasrör               |                      | Exhaust pipe       |
| 3  | 202003   | 1   | Tätningarring          |                      | Gasket             |
| 4  | 202004   | 1   | Spännare till avgasrör |                      | Exhaust pipe clamp |
| 5  | 202532   | 1   | Spännare till avgasrör |                      | Exhaust pipe clamp |
| 6  | 46EDF2   | 2   | Karosseribricka        | M8x24 DIN9021 Zn     | Washer             |
| 7  | 41BJ71   | 2   | Sexkantskruv           | M8x20 8.8 DIN933 Zn  | Hex bolt           |
| 8  | 46ADF7   | 6   | Bricka                 | M12 DIN125 Zn        | Washer             |
| 9  | 41BM47   | 6   | Sexkantskruv           | M12x30 8.8 DIN933 Zn | Hex bolt           |
| 10 | 202146   | 1   | Spännare till avgasrör |                      | Exhaust pipe clamp |

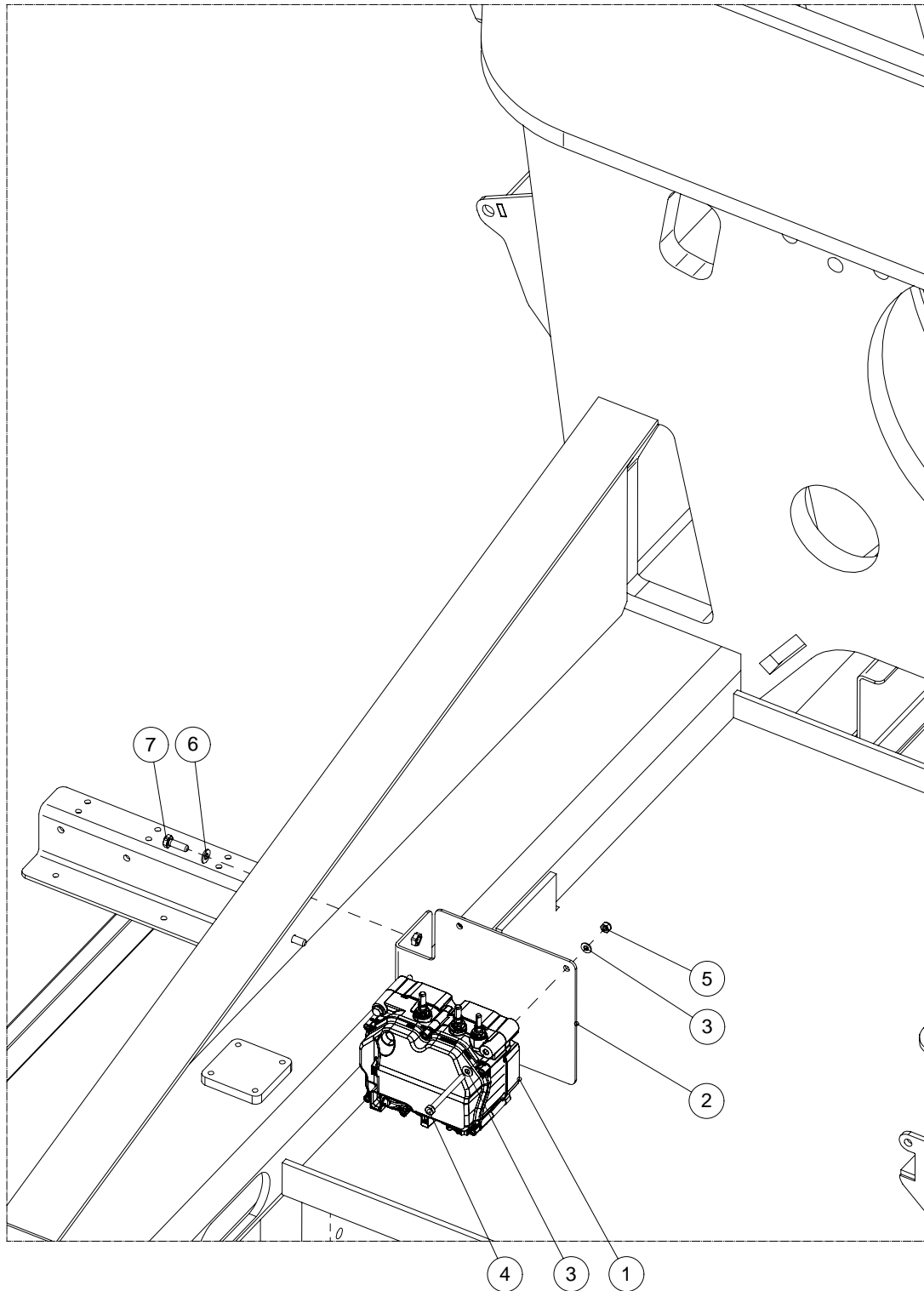




926788

**SN:**  
**Former:**  
**NOTE:****Efterbehandlingsanordning**  
**Aftertreatment device**  
**926788**

| No | Part No. | Qty | Delens benämning       | Size                 | Part name                            |
|----|----------|-----|------------------------|----------------------|--------------------------------------|
| 1  | 926543   | 1   | Stötta                 |                      | Bracket                              |
| 2  | 202098   | 1   | Partikelfilter         |                      | Particulate filter                   |
| 3  | 202096   | 1   | Nedbrytningsreaktor    |                      | Decomposition reactor tube           |
| 4  | 202097   | 1   | Reduktionskatalysator  |                      | Selective catalytic reduction device |
| 5  | 926803   | 2   | Fästband               |                      | Fixing band                          |
| 6  | 926799   | 1   | Fästband               |                      | Fixing band                          |
| 7  | 926801   | 1   | Fästband               |                      | Fixing band                          |
| 8  | 926797   | 2   | Fästband               |                      | Fixing band                          |
| 9  | 926561   | 2   | Fästband               |                      | Fixing band                          |
| 10 | 201994   | 1   | Hörn                   |                      | Elbow                                |
| 11 | 202099   | 1   | Hörn                   |                      | Elbow                                |
| 12 | 202001   | 4   | Tätningring            |                      | Gasket                               |
| 13 | 202002   | 4   | Spännare till avgasrör |                      | Exhaust pipe clamp                   |
| 14 | 926794   | 1   | Värmeskydd             |                      | Heat shield                          |
| 15 | 928280   | 1   | Värmeskydd             |                      | Heat shield                          |
| 16 | 46EDF5   | 20  | Bricka                 | M12x37 DIN9021 Zn    | Washer                               |
| 17 | 41AM54   | 10  | Insexskruv             | M12x55 8.8 DIN931 Zn | Hex bolt                             |
| 18 | 202016   | 10  | Låsmutter              |                      | Lock nut                             |
| 19 | 46ADE9   | 9   | Bricka                 | M10 DIN125 Zn        | Washer                               |
| 20 | 41BL11   | 9   | Sexkantskruv           | M10x30 8.8 DIN933 Zn | Hex bolt                             |
| 21 | 46EDF2   | 7   | Karosseribricka        | M8x24 DIN9021 Zn     | Washer                               |
| 22 | 41BJ71   | 7   | Sexkantskruv           | M8x20 8.8 DIN933 Zn  | Hex bolt                             |

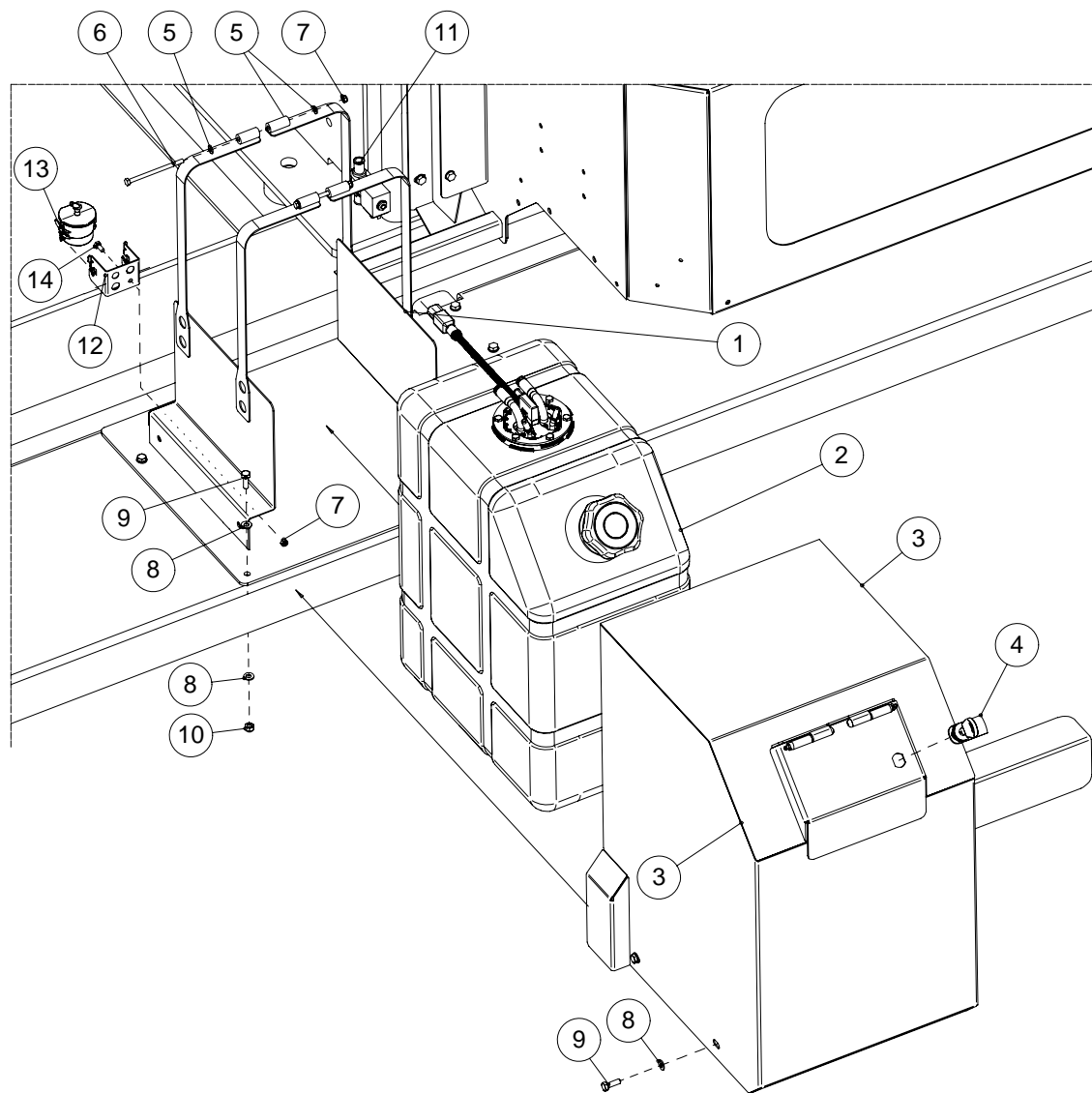


926854

**SN:**  
**Former:**  
**NOTE:**

**Urealösningspump**  
**Diesel exhaust fluid pump**  
**926854**

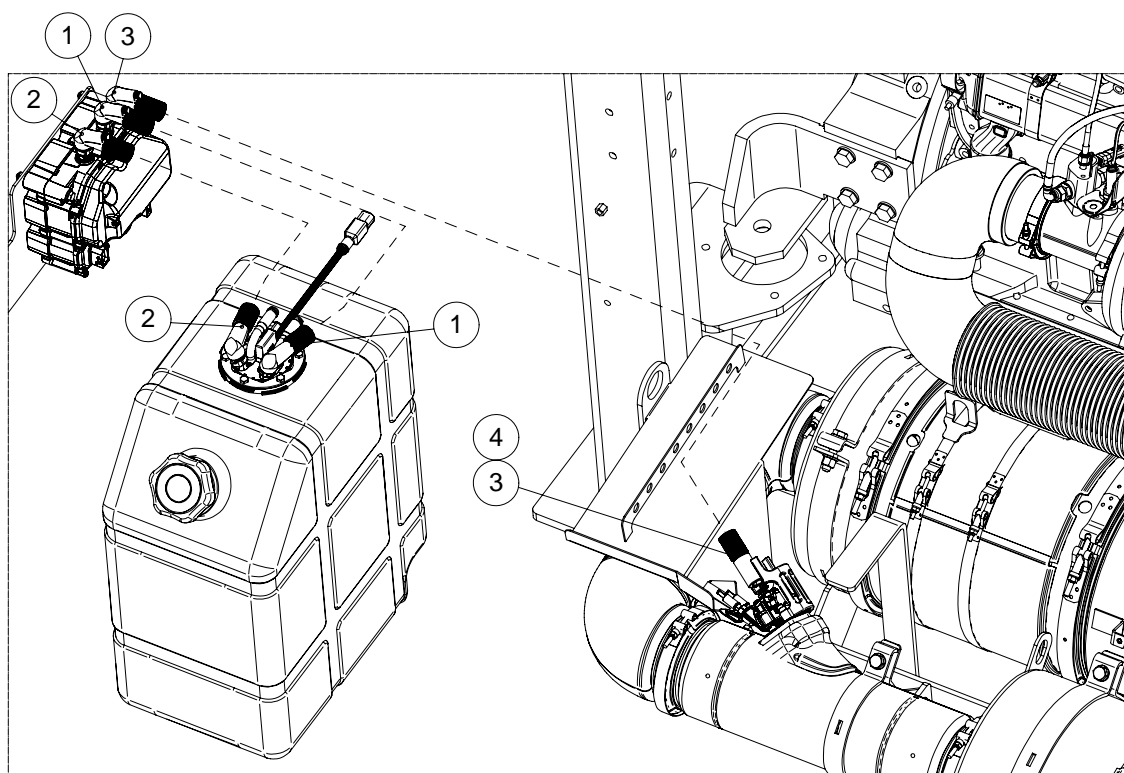
| No | Part No. | Qty | Delens benämning | Size                 | Part name                 |
|----|----------|-----|------------------|----------------------|---------------------------|
| 1  | 202083   | 1   | Urealösningspump |                      | Diesel exhaust fluid pump |
| 2  | 926857   | 1   | Stötta           |                      | Bracket                   |
| 3  | 46ADE4   | 6   | Bricka           | M8 DIN125 Zn         | Washer                    |
| 4  | 41AJ89   | 3   | Insexskruv       | M8x90 8.8 DIN931 Zn  | Hex bolt                  |
| 5  | 45FI08   | 3   | Låsmutter, Nyloc | M8 8 DIN985 Zn       | Lock nut                  |
| 6  | 46ADE9   | 2   | Bricka           | M10 DIN125 Zn        | Washer                    |
| 7  | 41BL11   | 2   | Sexkantskruv     | M10x30 8.8 DIN933 Zn | Hex bolt                  |



926889aA

**SN:**  
**Former:**  
**NOTE:****Urealösningstank**  
**Diesel exhaust fluid tank**  
**926889a**

| No | Part No. | Qty | Delens benämning           | Size                 | Part name                 |
|----|----------|-----|----------------------------|----------------------|---------------------------|
| 1  | 926894   | 1   | Stötta                     |                      | Bracket                   |
| 2  | 202149   | 1   | Urealösningstank           |                      | Diesel exhaust fluid tank |
| 3  | 926906   | 1   | Skyddskåpa                 |                      | Protective case           |
| 4  | 924016   | 1   | Lås                        |                      | Lock                      |
| 5  | 46ADD3   | 4   | Bricka                     | M6 DIN125 Zn         | Washer                    |
| 6  | 202147   | 2   | Insexskruv                 | M6x100 8.8 DIN931 Zn | Hex bolt                  |
| 7  | 45FI06   | 3   | Låsmutter, Nyloc           | M6 8 DIN985 Zn       | Lock nut                  |
| 8  | 46ADE4   | 12  | Bricka                     | M8 DIN125 Zn         | Washer                    |
| 9  | 41BJ73   | 8   | Sexkantskruv               | M8x25 8.8 DIN933 Zn  | Hex bolt                  |
| 10 | 45FI08   | 4   | Låsmutter, Nyloc           | M8 8 DIN985 Zn       | Lock nut                  |
| 11 | 201444   | 1   | Vattenventil               |                      | Water valve               |
| 12 | 202849   | 1   | Flämtventil                |                      | Breather                  |
| 13 | 202850   |     | Flämtventil, utbytesfilter |                      | Breather filter           |
| 14 | 41BI32   | 1   | Sexkantskruv               | M6x16 8.8 DIN933 Zn  | Hex bolt                  |

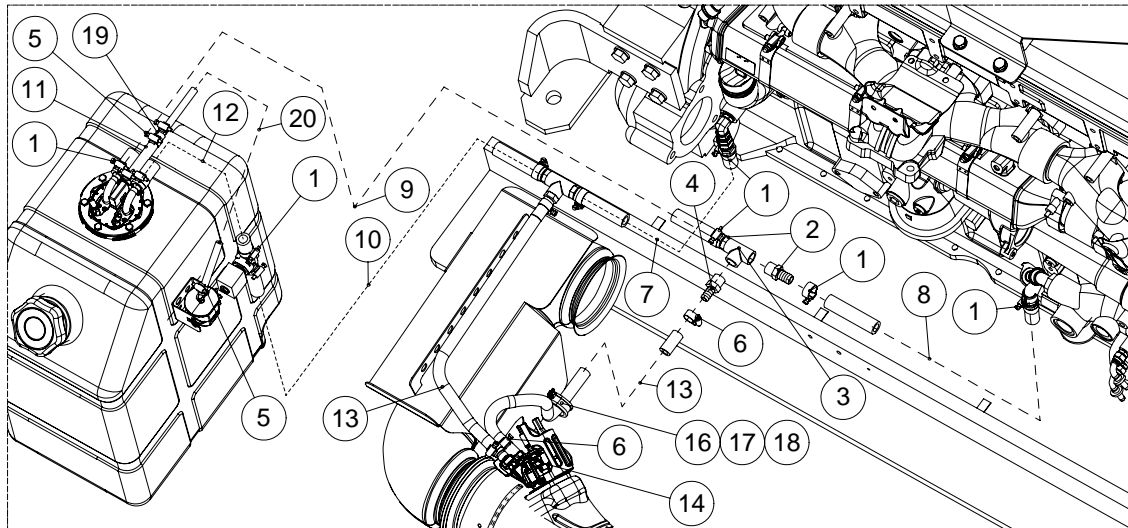


927035

**SN:**  
**Former:**  
**NOTE:**

**Slangar till efterbehandlingsystem**  
**Aftertreatment system hoses**  
**927035**

| No | Part No. | Qty | Delens benämning  | Size | Part name                 |
|----|----------|-----|-------------------|------|---------------------------|
| 1  | 202046   | 1   | Slang             |      | Hose                      |
| 2  | 202045   | 1   | Slang             |      | Hose                      |
| 3  | 202044   | 1   | Slang             |      | Hose                      |
| 4  | 202150   | 1   | Isoleringsstrumpa |      | Thermal insulation sleeve |

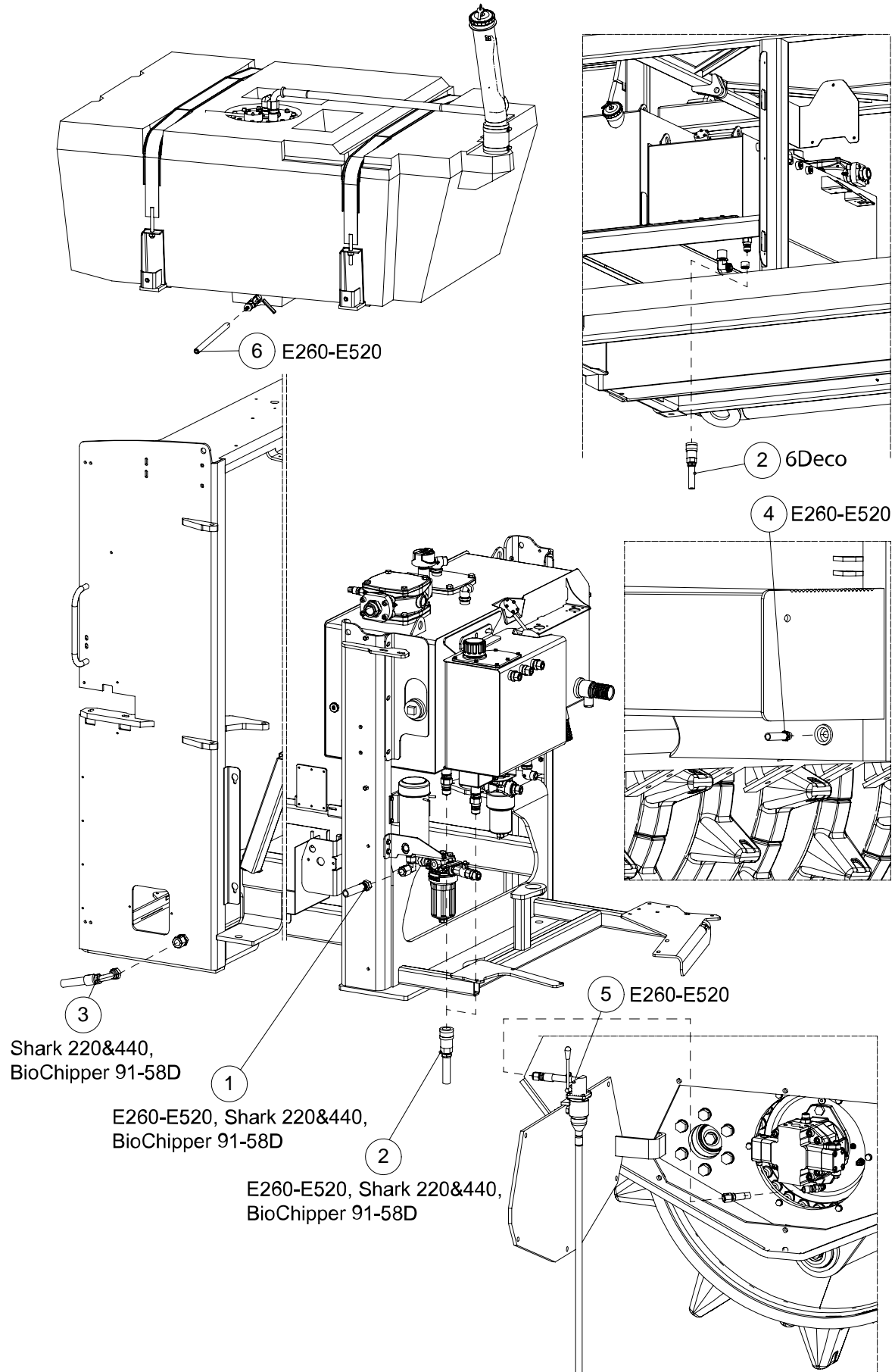




927042aA

**SN:****Vattenkylningsystem i  
efterbehandlingsystemet  
Aftertreatment system water cooling  
system****Former:****NOTE:****927042a**

| No | Part No. | Qty | Delens benämning  | Size                | Part name                 |
|----|----------|-----|-------------------|---------------------|---------------------------|
| 1  | 48B019   | 10  | Slangklämma       |                     | Hose clamp                |
| 2  | 202194   | 4   | Slangkoppling     |                     | Hose connector            |
| 3  | 202192   | 2   | T-förgrening      |                     | T-arm                     |
| 4  | 202193   | 2   | Slangkoppling     |                     | Hose connector            |
| 5  | 48B013   | 4   | Slangklämma       |                     | Hose clamp                |
| 6  | 48B015   | 4   | Slangklämma       |                     | Hose clamp                |
| 7  | 202188   | 1   | Slang             |                     | Hose                      |
| 8  | 202188   | 1   | Slang             |                     | Hose                      |
| 9  | 202188   | 1   | Slang             |                     | Hose                      |
| 10 | 202188   | 1   | Slang             |                     | Hose                      |
| 11 | 59E218   | 1   | Slang             |                     | Hose                      |
| 12 | 202188   | 1   | Slang             |                     | Hose                      |
| 13 | 202853   | 2   | Slang             |                     | Hose                      |
| 14 | 202191   | 2   | Snabbkoppling     |                     | Fitting                   |
| 15 | 202088   | 2   | Isoleringsstrumpa |                     | Thermal insulation sleeve |
| 16 | 200177   | 1   | Slangband         |                     | Hose strap                |
| 17 | 46AFD3   | 1   | Bricka            | M6 A2 DIN 125       | Washer                    |
| 18 | 41BI35   | 1   | Sexkantskruv      | M6x20 8.8 DIN933 Zn | Hex bolt                  |
| 19 | 202851   | 1   | Reduceringshylsa  |                     | Reducer                   |
| 20 | 202854   | 1   | Gummislang        |                     | Hose                      |



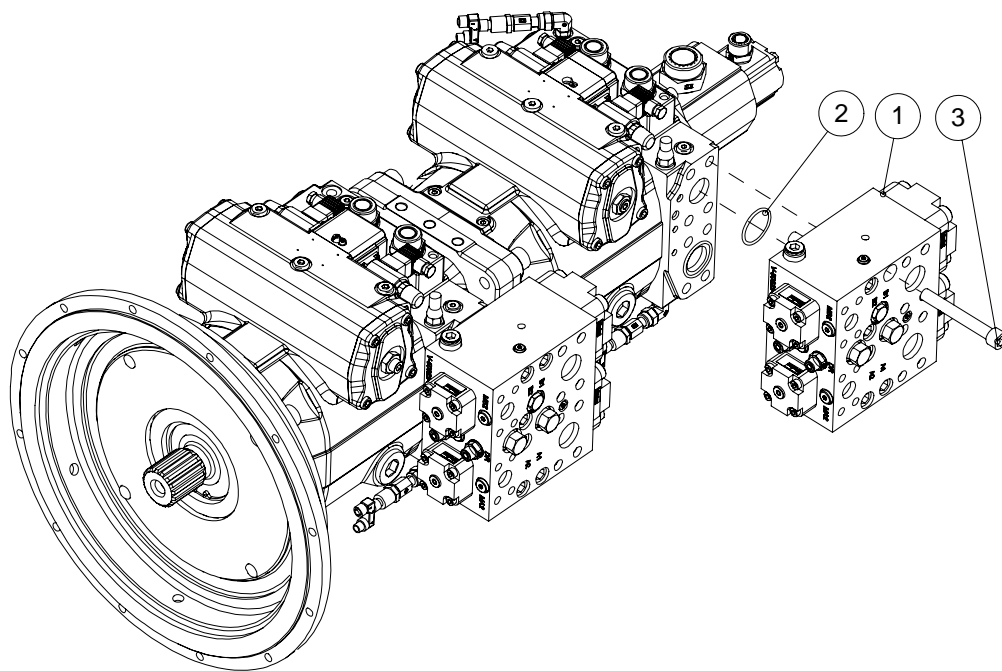
924031aA

**SN:**  
**Former:**  
**NOTE:**

**Slangar, utrustningsatts**  
**Hoses, set**  
**924031a**

| No | Part No. | Qty | Delens benämning             | Size | Part name                         |
|----|----------|-----|------------------------------|------|-----------------------------------|
| 1  | 911763   |     | Påfyllnings slang, hydraulik |      | Hose, filling circuit, hydraulics |
| 2  | 912296   |     | Tömnings slang, hydraulolja  |      | Drain hose, hydraulic oil         |
| 3  | 918487   |     | Tömnings slang, motorolja    |      | Drain hose, engine oil            |
| 4  | 918485   |     | Slang                        |      | Drain hose, engine oil            |
| 5  | 912297   |     | Påfyllnings pump             |      | Filling pump                      |
| 6  | 34D013   |     | Tömnings slang, bränsletank  |      | Drain hose, fuel tank             |

923173



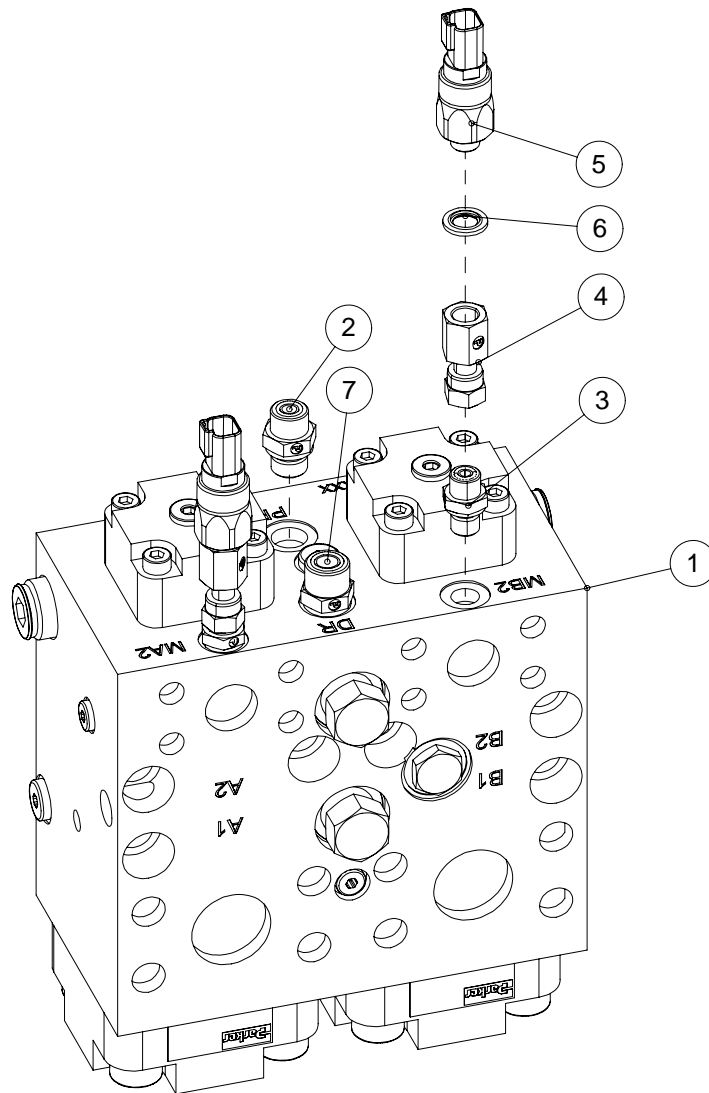
923173

**SN:**  
**Former:**  
**NOTE:**

**Växelventil**  
**Change valve**  
**923173**

| No | Part No. | Qty | Delens benämning | Size                | Part name   |
|----|----------|-----|------------------|---------------------|-------------|
| 1  | 923179   | 2   | Ventilenhet      |                     | Valve unit  |
| 2  | 57H190   | 4   | O-Ring           |                     | O-ring      |
| 3  | 201246   | 12  | Insexskruv       | M16x120 10.9 DIN912 | Allen screw |

923179bB



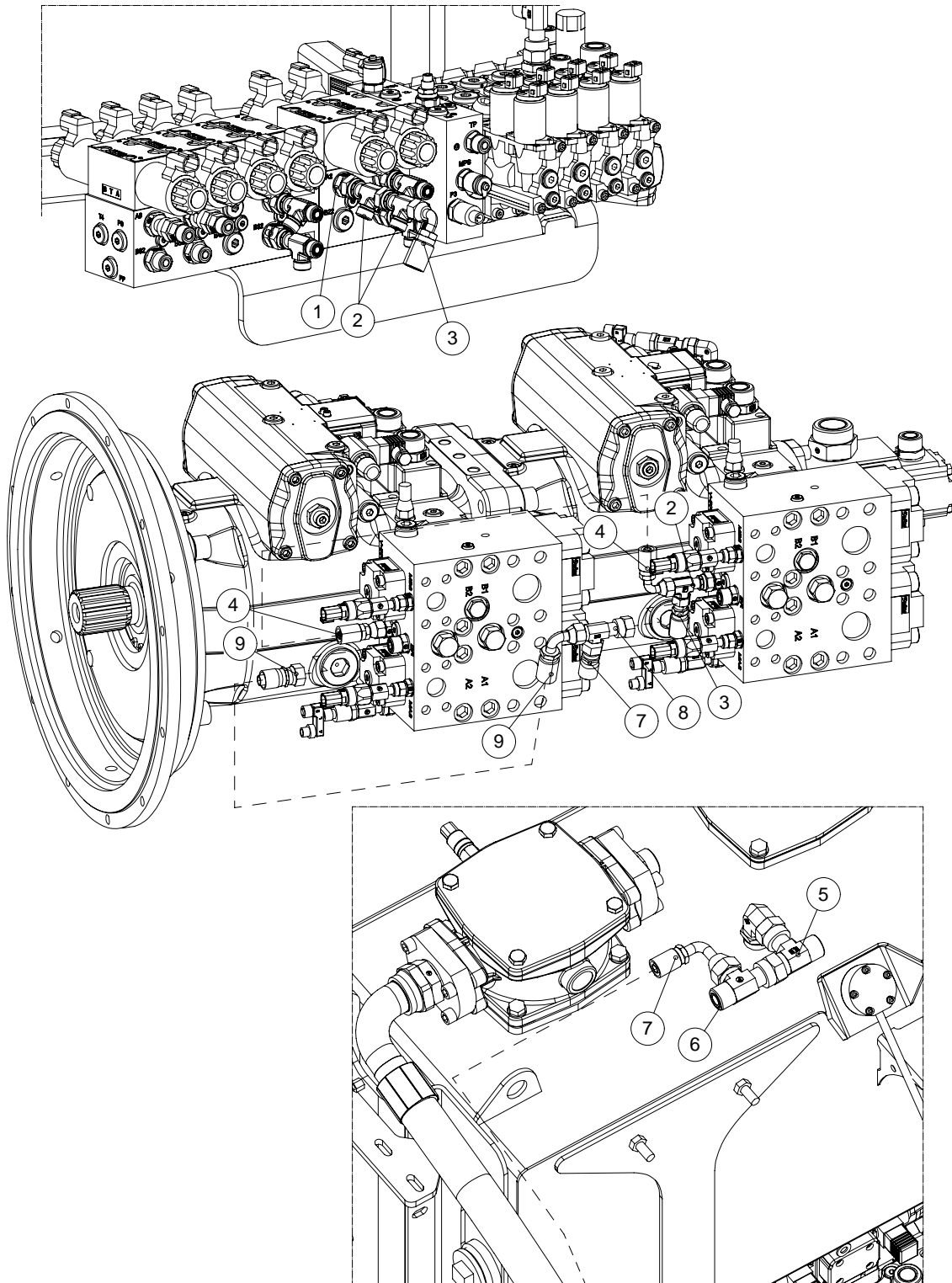
923179bB

**SN:**  
**Former:**  
**NOTE:**

**Ventilenhet**  
**Valve unit**  
**923179b**

| No | Part No. | Qty | Delens benämning | Size | Part name       |
|----|----------|-----|------------------|------|-----------------|
| 1  | 922612   | 1   | Ventilenhet      |      | Valve unit      |
| 2  | 57OBI083 | 1   | Rak koppling     |      | Fitting         |
| 3  | 57OBI062 | 2   | Rak koppling     |      | Fitting         |
| 4  | 57OB02TL | 2   | Testkoppling     |      | Fitting         |
| 5  | 202325   | 2   | Tryckbrytare     |      | Pressure switch |
| 6  | 57IT04   | 2   | Usit-tätning     |      | Usit seal       |
| 7  | 57OBI122 | 1   | Rak koppling     |      | Fitting         |

924048aA



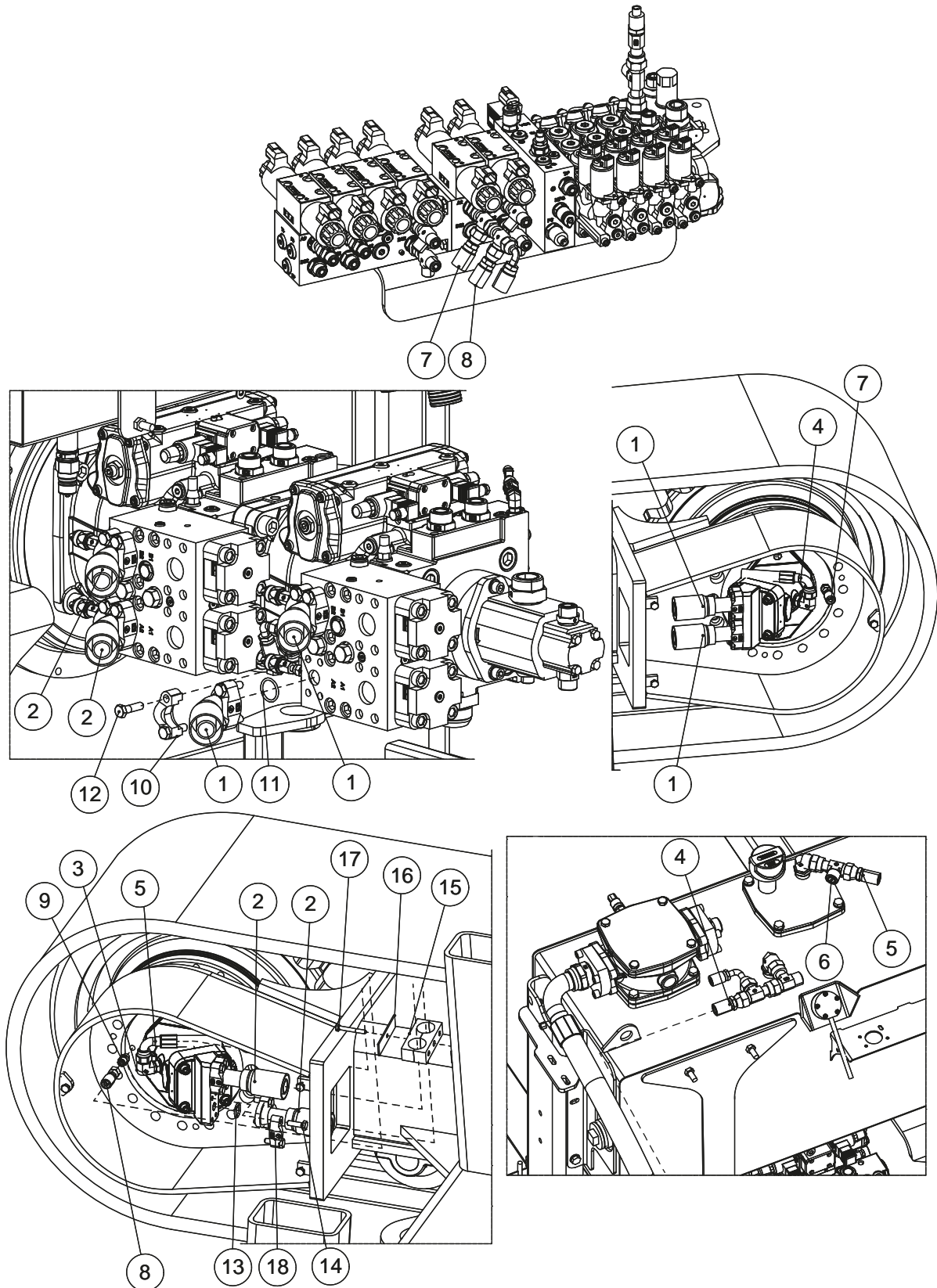


924048aA

**SN:**  
**Former:**  
**NOTE:**

**Styrkrets**  
**Control circuit**  
**924048a**

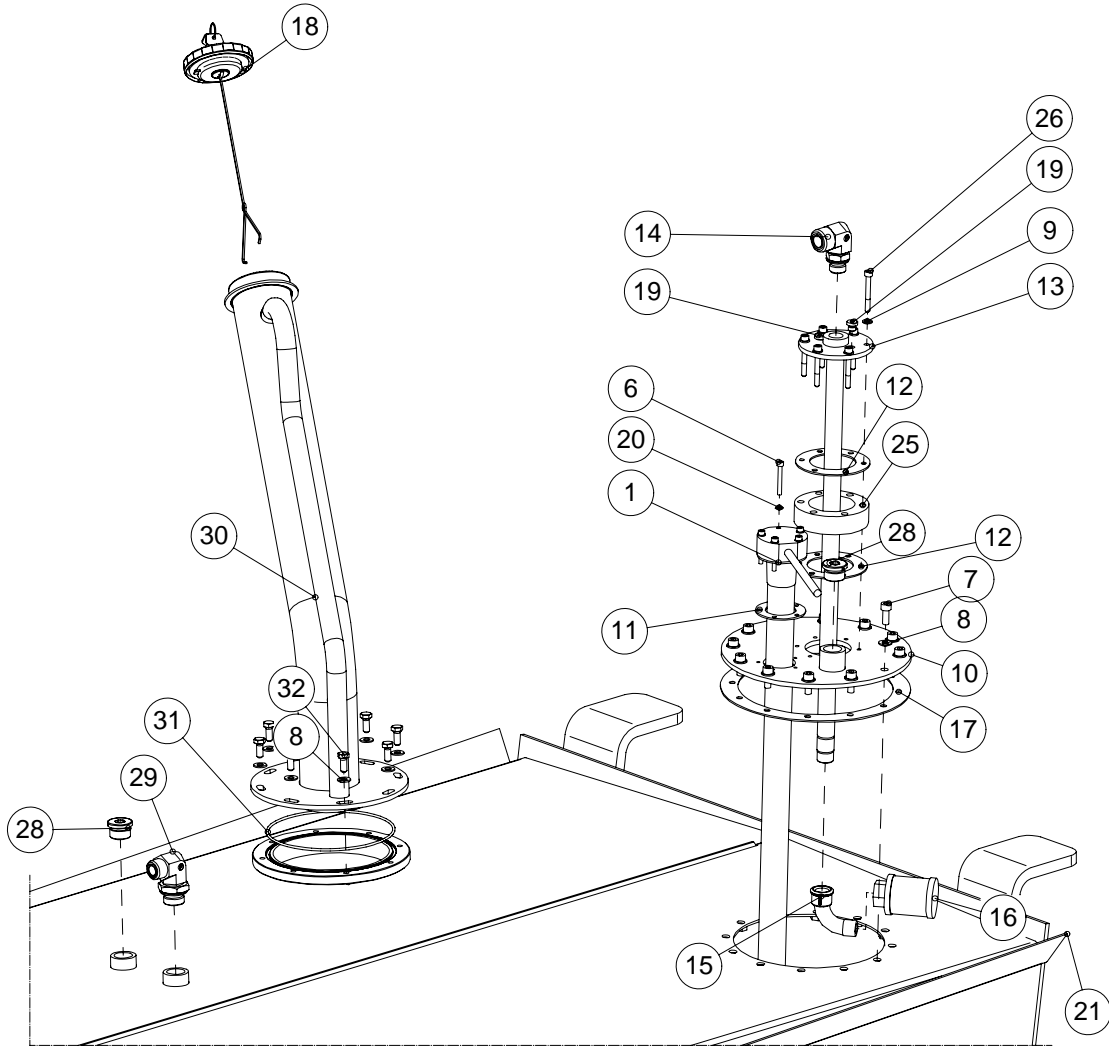
| No | Part No.  | Qty | Delens benämning       | Size | Part name |
|----|-----------|-----|------------------------|------|-----------|
| 1  | 57OBI083  | 1   | Rak koppling           |      | Fitting   |
| 2  | 57OOT101W | 3   | Rak koppling           |      | Fitting   |
| 3  | 924050    | 1   | Slang                  |      | Hose      |
| 4  | 924051    | 1   | Slang                  |      | Hose      |
| 5  | 57OOT181V | 1   | T-skarvkoppling        |      | Union tee |
| 6  | 57OOT103W | 1   | L-förlängningskoppling |      | Union tee |
| 7  | 923823    | 1   | Slang                  |      | Hose      |
| 8  | 57OOT121W | 1   | T-förlängningskoppling |      | Fitting   |
| 9  | 924055    | 1   | Slang                  |      | Hose      |



924057

**SN:**  
**Former:**  
**NOTE:****Slangar i bandaggregat**  
**Track hoses**  
**924057**

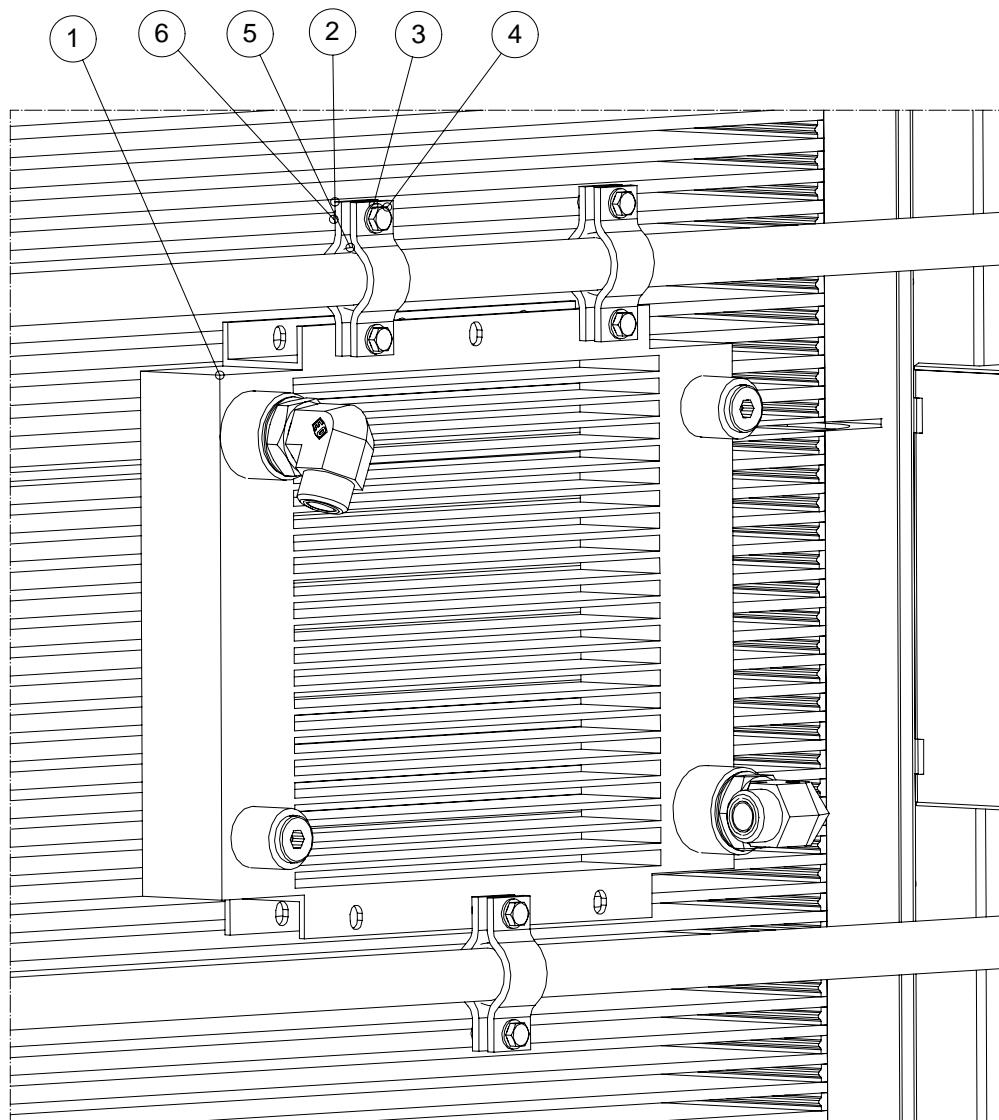
| No | Part No.  | Qty | Delens benämning         | Size                 | Part name         |
|----|-----------|-----|--------------------------|----------------------|-------------------|
| 1  | 924058    | 2   | Slang                    |                      | Hose              |
| 2  | 924059    | 2   | Slang                    |                      | Hose              |
| 3  | 57OIL141  | 2   | Justerbar vinkelkoppling |                      | Elbow fitting     |
| 4  | 924060    | 1   | Slang                    |                      | Hose              |
| 5  | 924061    | 1   | Slang                    |                      | Hose              |
| 6  | 57OOT103W | 1   | L-förlängningskoppling   |                      | Union tee         |
| 7  | 924062    | 1   | Slang                    |                      | Hose              |
| 8  | 924063    | 1   | Slang                    |                      | Hose              |
| 9  | 57OBI102  | 2   | Rak koppling             |                      | Fitting           |
| 10 | 57J615    | 8   | Flänsens fäststycke      |                      | Flange (one half) |
| 11 | 57H110    | 4   | O-ring                   |                      | O-ring            |
| 12 | 41AM52    | 16  | Sexkantskruv             | M12x45 8.8 DIN931 Zn | Hex bolt          |
| 13 | 201536    | 4   | O-ring                   |                      | O-ring            |
| 14 | 41AL13    | 16  | Sexkantskruv             | M10x35 8.8 DIN931 Zn | Hex bolt          |
| 15 | 57PA88    | 2   | Rörklammer               |                      | Holder            |
| 16 | 200655    | 2   | Täckplåt                 |                      | Pipe clamp plate  |
| 17 | 41AJ83    | 2   | Insexskruv               | M8x60 8.8 DIN931 Zn  | Hex bolt          |
| 18 | 201535    | 8   | Flänsens fäststycke      |                      | Flange (one half) |



926612aA

**SN:**  
**Former:**  
**NOTE:****Bränsletank**  
**Fuel tank**  
**926612a**

| No | Part No. | Qty | Delens benämning      | Size                | Part name     |
|----|----------|-----|-----------------------|---------------------|---------------|
| 1  | 200865   | 1   | Nivågivare            |                     | Level sensor  |
| 6  | 41FH07   | 5   | Insexskruv            | M5x40 8.8 DIN912 Zn | Allen bolt    |
| 7  | 41FJ71   | 12  | Insexskruv            | M8x20 8.8 DIN912 Zn | Allen bolt    |
| 8  | 46ADE4   | 20  | Bricka                | M8 DIN125 Zn        | Washer        |
| 9  | 46ADD3   | 6   | Bricka                | M6 DIN125 Zn        | Washer        |
| 10 | 913713   | 1   | Lockfläns             |                     | Flange        |
| 11 | 913957   | 1   | Tätning               |                     | Seal          |
| 12 | 913956   | 2   | Tätning               |                     | Seal          |
| 13 | 913950   | 1   | Sugrör                |                     | Suction pipe  |
| 14 | 57OBL182 | 1   | Vinkelkoppling        |                     | Elbow fitting |
| 15 | 54C320   | 1   | Rörböj                |                     | Pipe curve    |
| 16 | 59C012   | 1   | Sugsil                |                     | Strainer      |
| 17 | 913729   | 1   | Tätning               |                     | Seal          |
| 18 | 200575   | 1   | Lock till bränsletank |                     | Cap           |
| 19 | 57S102   | 2   | Insexplugg            |                     | Plug          |
| 20 | 46ADC6   | 5   | Bricka                | M5 DIN 125 Zn       | Washer        |
| 21 | 926613   | 1   | Bränsletank           |                     | Fuel tank     |
| 25 | 926674   | 1   | Distanskloss          |                     | Spacer        |
| 26 | 41FI45   | 6   | Insexskruv            | M6x50 8.8 DIN912 Zn | Allen screw   |
| 28 | 57S050   | 2   | Insexplugg            |                     | Plug          |
| 29 | 57OBL181 | 1   | Vinkelkoppling 90 gr. |                     | Elbow fitting |
| 30 | 927161   | 1   | Påfyllningsrör        |                     | Filling pipe  |
| 31 | 202271   | 1   | O-ring                |                     | O-ring        |
| 32 | 41BJ71   | 8   | Sexkantskruv          | M8x20 8.8 DIN933 Zn | Hex bolt      |
| 33 | 202495   | 1   | Köppartätning         |                     | Copper gasket |
| 34 | 928221   | 1   | Plugg                 |                     | Plug          |

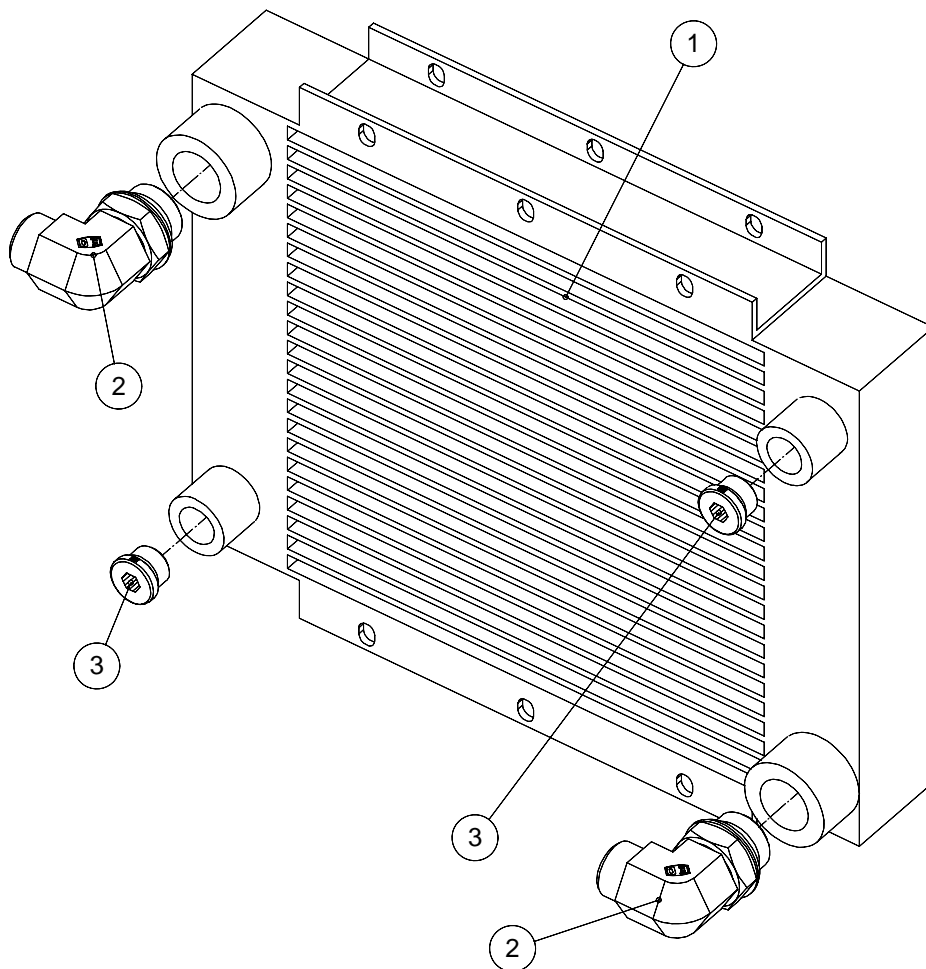


922577aA

**SN:**  
**Former:**  
**NOTE:**

**Montering av bränslekylare**  
**Fuel cooler assembly**  
**922577a**

| No | Part No. | Qty | Delens benämning | Size                | Part name   |
|----|----------|-----|------------------|---------------------|-------------|
| 1  | 918309   | 1   | Bränslekylare    |                     | Fuel cooler |
| 2  | 201446   | 3   | Rörbygel         |                     | Pipe clamp  |
| 3  | 46ADE4   | 12  | Bricka           | M8 DIN125 Zn        | Washer      |
| 4  | 41BJ75   | 6   | Sexkantsskruv    | M8x30 8.8 DIN933 Zn | Hex bolt    |
| 5  | 201083   | 1   | Tätningband      |                     | Seal stripe |
| 6  | 45FI08   | 6   | Låsmutter, Nyloc | M8 8 DIN985 Zn      | Lock nut    |



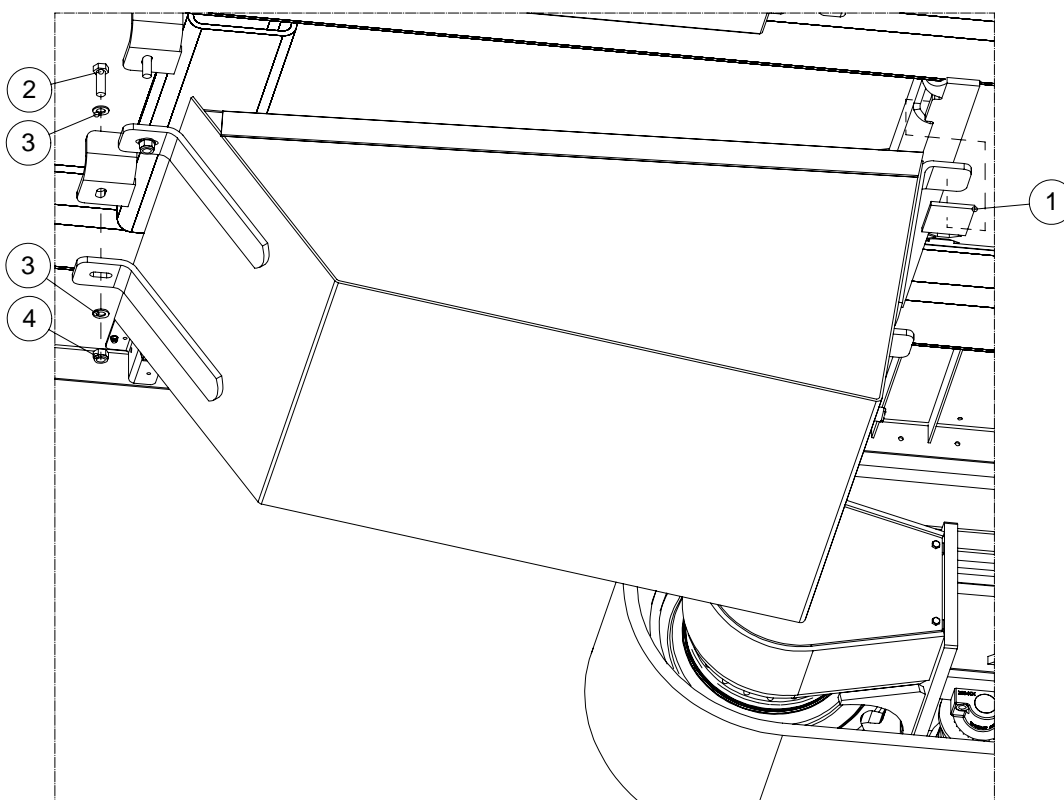


918309

**SN:**  
**Former:**  
**NOTE:**

**Bränslekylare**  
**Fuel cooler**  
**918309**

| No | Part No. | Qty | Delens benämning             | Size | Part name   |
|----|----------|-----|------------------------------|------|-------------|
| 1  | 200173   | 1   | Kylcell                      |      | Cooler core |
| 2  | 200234   | 2   | Justerbar vinkelkoppling 90° |      | Fitting     |
| 3  | 200175   | 2   | Insexplugg                   |      | Plug        |

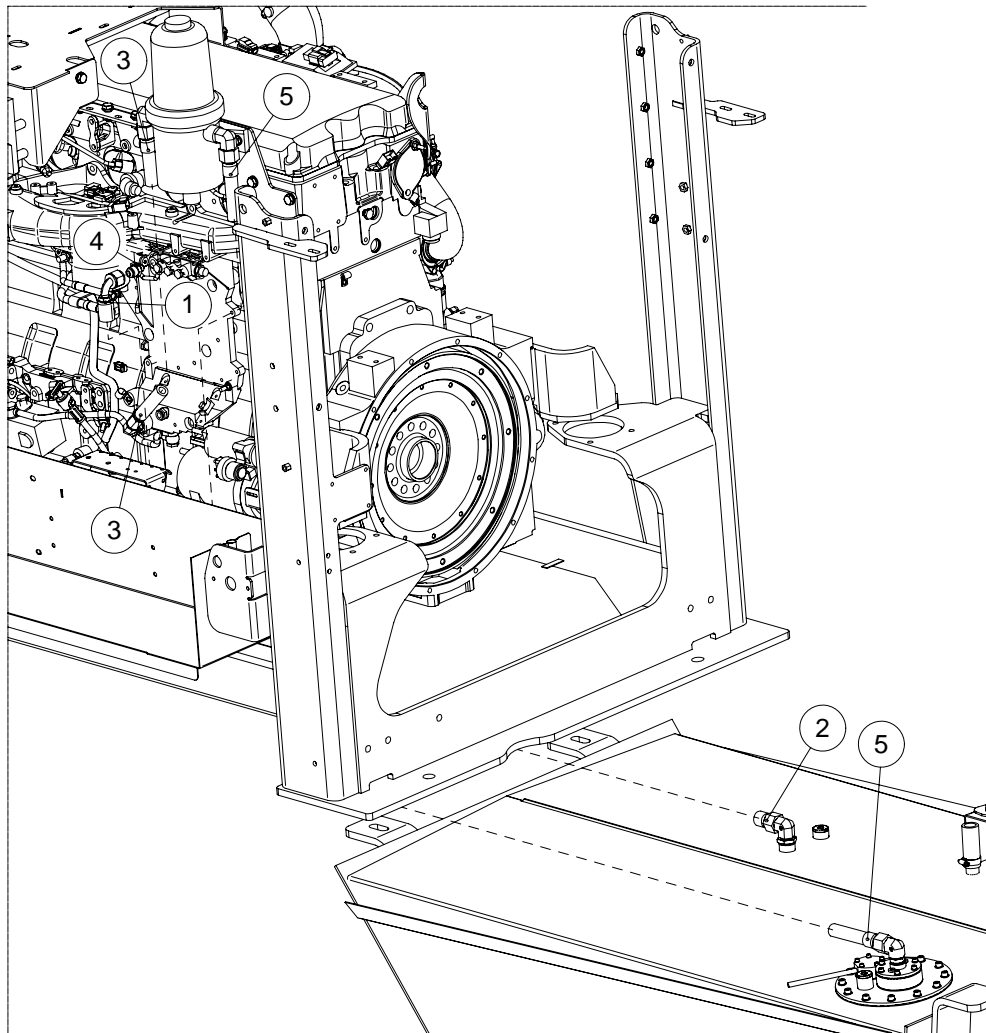
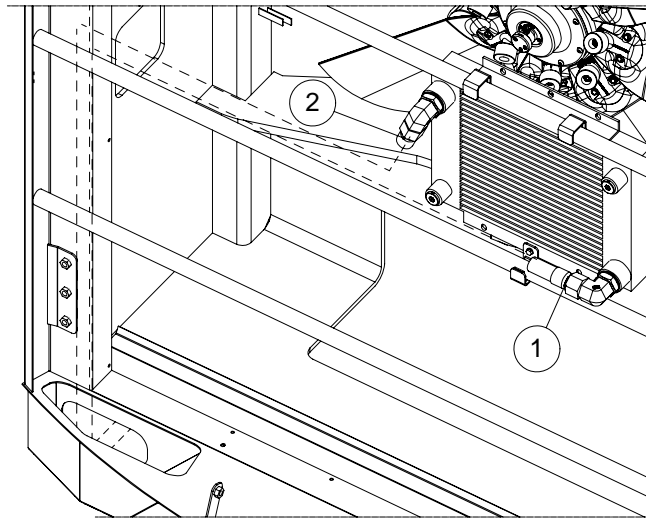


926930

**SN:**  
**Former:**  
**NOTE:**

**Montering av bränsletank**  
**Fuel tank assembly**  
**926930**

| No | Part No. | Qty | Delens benämning | Size                 | Part name    |
|----|----------|-----|------------------|----------------------|--------------|
| 1  | 919603   | 2   | Gummiplatta      |                      | Rubber plate |
| 2  | 41AR60   | 2   | Sexkantskruv     | M20x60 8.8 DIN931 Zn | Hex bolt     |
| 3  | 46ADH6   | 4   | Bricka           | M20 DIN 125 Zn       | Washer       |
| 4  | 45FI20   | 2   | Låsmutter, Nyloc | M20 8 DIN985 Zn      | Lock nut     |



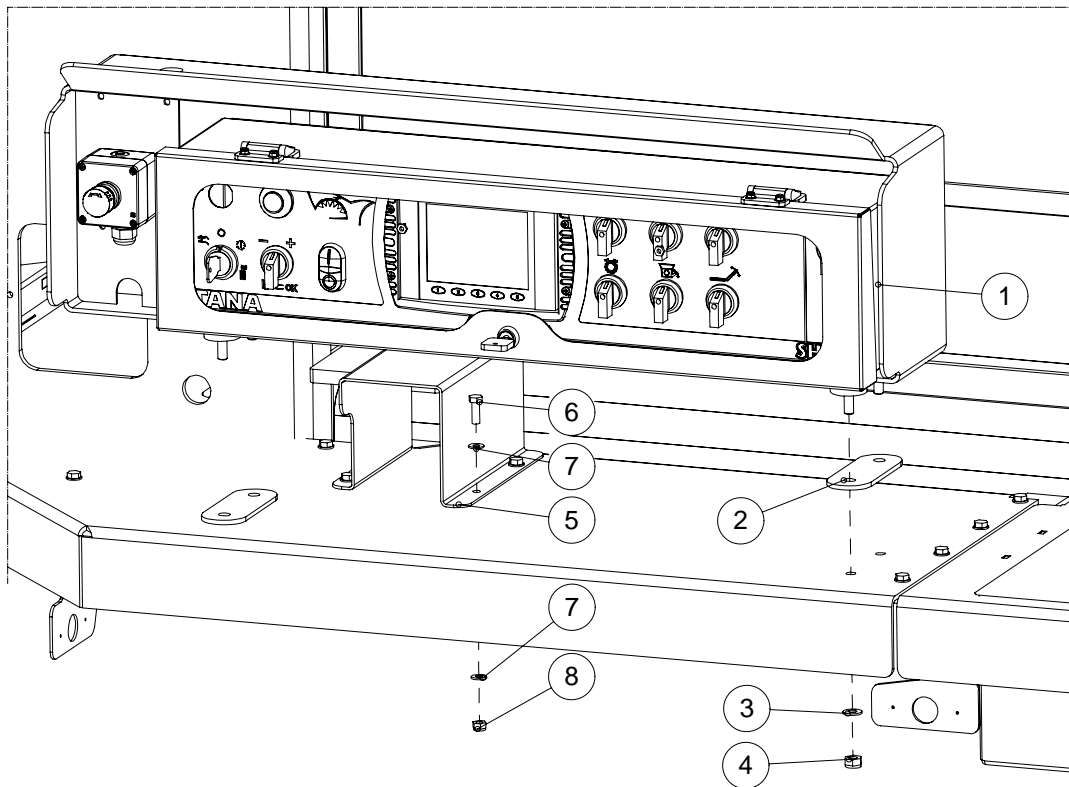
927018

**SN:**  
**Former:**  
**NOTE:**

**Bränsleslangar montering**  
**Fuel hoses assembly**  
**927018**

| No | Part No. | Qty | Delens benämning | Size | Part name |
|----|----------|-----|------------------|------|-----------|
| 1  | 918315   | 1   | Slang            |      | Hose      |
| 2  | 924123   | 1   | Slang            |      | Hose      |
| 3  | 927016   | 1   | Slang            |      | Hose      |
| 4  | 202199   | 1   | Rak koppling     |      | Fitting   |
| 5  | 927019   | 1   | Slang            |      | Hose      |

922282a

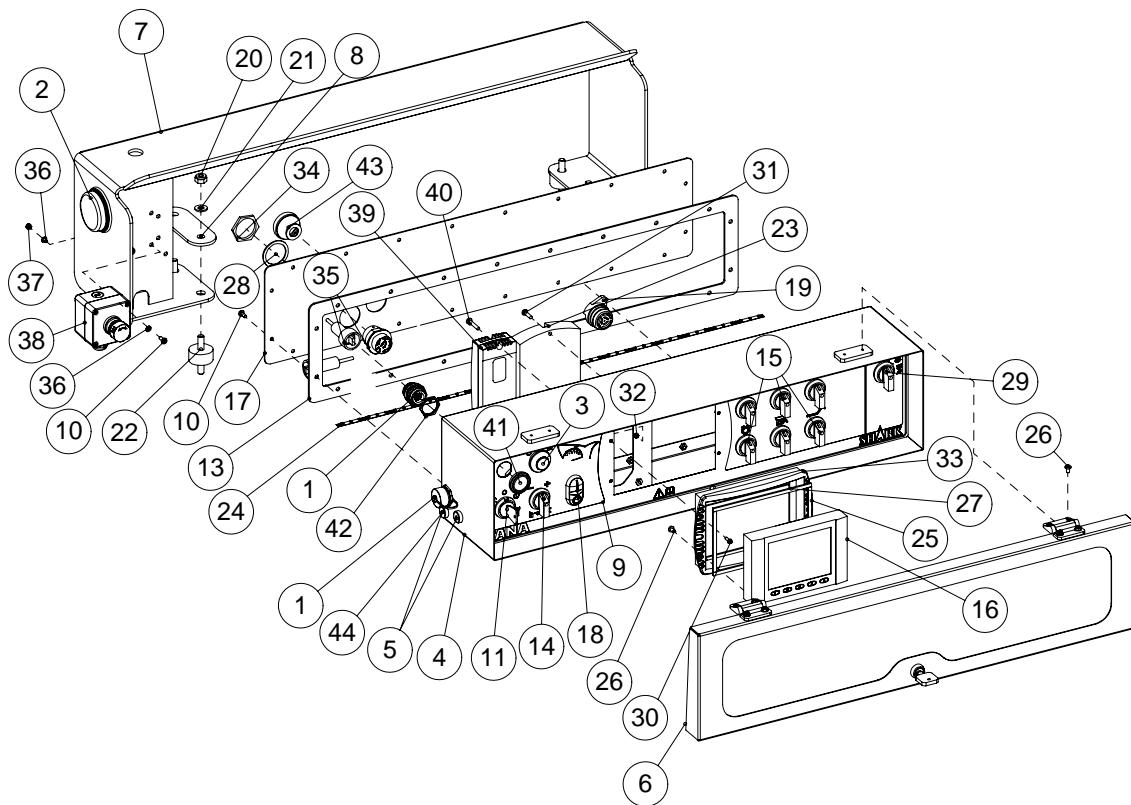


922282a

**SN:**  
**Former:**  
**NOTE:**

**Montering av styrcentral**  
**Control panel assembly**  
**922282a**

| No | Part No. | Qty | Delens benämning | Size                | Part name     |
|----|----------|-----|------------------|---------------------|---------------|
| 1  | 922283   | 1   | Styrcentral      |                     | Control panel |
| 2  | 922312   | 2   | Distanskloss     |                     | Spacer        |
| 3  | 46ADE9   | 4   | Bricka           | M10 DIN125 Zn       | Washer        |
| 4  | 45FI10   | 4   | Låsmutter        | M10 8 DIN985 Zn     | Lock nut      |
| 5  | 922324   | 1   | Skyddslock       |                     | Cover         |
| 6  | 41BJ73   | 4   | Sexkantskruv     | M8x25 8.8 DIN933 Zn | Hex bolt      |
| 7  | 46ADE4   | 8   | Bricka           | M8 DIN125 Zn        | Washer        |
| 8  | 45FI08   | 4   | Låsmutter, Nyloc | M8 8 DIN985 Zn      | Lock nut      |

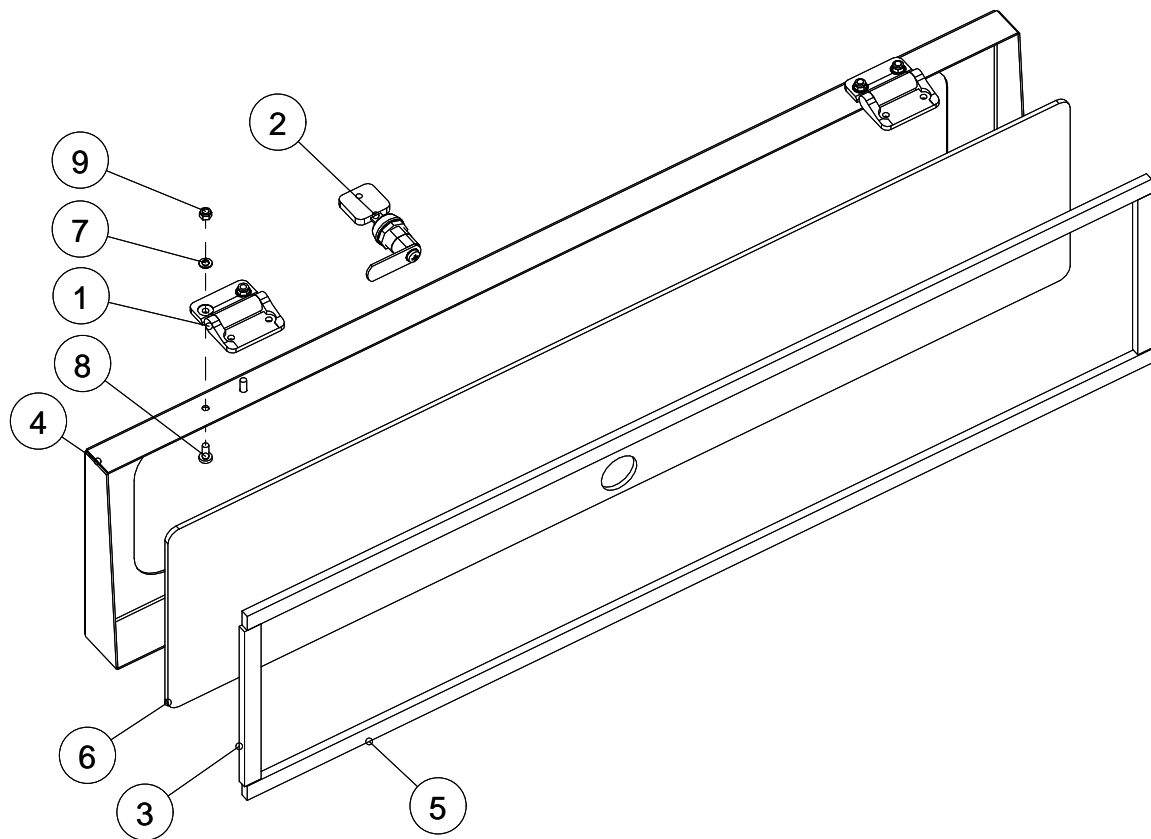




922283bB

SN:  
Former:  
NOTE:Styrcentral  
Control panel  
922283b

| No | Part No. | Qty | Delens benämning                            | Size              | Part name                               |
|----|----------|-----|---|-------------------|---|
| 1  | 201077   | 3   | Koppling                                    |                   | Connector                               |
| 2  | 200984   | 1   | Antenn                                      |                   | Antenna                                 |
| 3  | 200872   | 1   | Brytare                                     |                   | Switch                                  |
| 4  | 922303   | 1   | Styrcentral                                 |                   | Control panel                           |
| 5  | 52F207   | 2   | Genomföringsgummi                           |                   | Bulkhead seal                           |
| 6  | 917806   | 1   | Lock  |                   | Control panel hatch                     |
| 7  | 922310   | 1   | Skyddstak                                   |                   | Safety cover                            |
| 8  | 922312   | 2   | Distanskloss                                |                   | Spacer                                  |
| 9  | 922314   | 1   | Anvisningsdekal                             |                   | Sticker                                 |
| 10 | 41MG94   | 23  | Spårskruv, krysshuvud                       | M5x12 DIN7985H Zn | Screw                                   |
| 11 | 73G130   | 1   | Kambrytare                                  |                   | Switch                                  |
| 13 | 924133   | 1   | Tätning                                     |                   | Seal                                    |
| 14 | 73G132   | 1   | Kambrytare                                  |                   | Switch                                  |
| 15 | 73G131   | 6   | Kambrytare                                  |                   | Switch                                  |
| 16 | 73R120   | 1   | Bildskärmsmodul                             |                   | Display module                          |
| 17 | 922730   | 1   | Bakpanel                                    |                   | Plate                                   |
| 18 | 73G110   | 1   | Tryckknapp                                  |                   | Button                                  |
| 19 | 73I020   | 1   | Summer                                      |                   | Alarm buzzer                            |
| 20 | 45FI10   | 4   | Låsmutter                                   | M10 8 DIN985 Zn   | Lock nut                                |
| 21 | 46ADE9   | 4   | Bricka                                      | M10 DIN125 Zn     | Washer                                  |
| 22 | 53B039   | 4   | Vibrationsdämpare                           |                   | Vibration damper                        |
| 23 | 73R122   | 1   | Modul                                       |                   | Module                                  |
| 24 | 919109   | 1   | Bakgrundsbelysning                          |                   | Light                                   |
| 25 | 918198   | 2   | Tätning för display                         |                   | Seal                                    |
| 26 | 200080   | 8   | Spårskruv, krysshuvud                       | M5x8 DIN7985H     | Screw                                   |
| 27 | 918197   | 2   | Tätning för display                         |                   | Seal                                    |
| 28 | 200931   | 1   | Fjäderbricka                                |                   | Spring washer                           |
| 29 | 200150   | 1   | Kambrytare                                  |                   | Switch                                  |
| 30 | 200118   | 4   | Krysspårskruv                               | M4x10 DIN7985H Zn | Screw                                   |
| 31 | 41MG97   | 2   | Spårskruv, krysshuvud                       | M5x20 DIN7985H Zn | Screw                                   |
| 32 | 45FI04   | 4   | Låsmutter, Nyloc                            | M4 8 DIN985 Zn    | Lock nut                                |
| 33 | 73R130   | 1   | Ram för display                             |                   | Display frame                           |
| 34 | 200930   | 1   | Panelmutter                                 |                   | Nut                                     |
| 35 | 922731   | 1   | Kablage, styrcentral                        |                   | Wire harness, control panel             |
| 36 | 46ADC6   | 4   | Bricka                                      | M5 DIN 125 Zn     | Washer                                  |
| 37 | 45FI05   | 2   | Låsmutter, Nyloc                            | M5 8 DIN985 Zn    | Lock nut                                |
| 38 | 922319   | 1   | Nödstoppskontakt                            |                   | Emergency stop switch                   |
| 39 | 922241   | 1   | Fjärranslutningsenhet                       |                   | Remote connection module                |
| 40 | 201103   | 2   | Spårskruv                                   | M5x30 DIN7985H Zn | Screw                                   |
| 41 | 923485   | 1   | Täcklock                                    |                   | Cover                                   |
| 42 | 201572   | 1   | Panelmutter                                 |                   | Nut                                     |
| 43 | 52F120   | 1   | Genomföringsgummi                           |                   | Bulkhead seal                           |
| 44 | 921333   | 1   | Kablage, MPC-11, fjärrkontrollens mottagare |                   | Wire harness, MPC-11, remote controller |

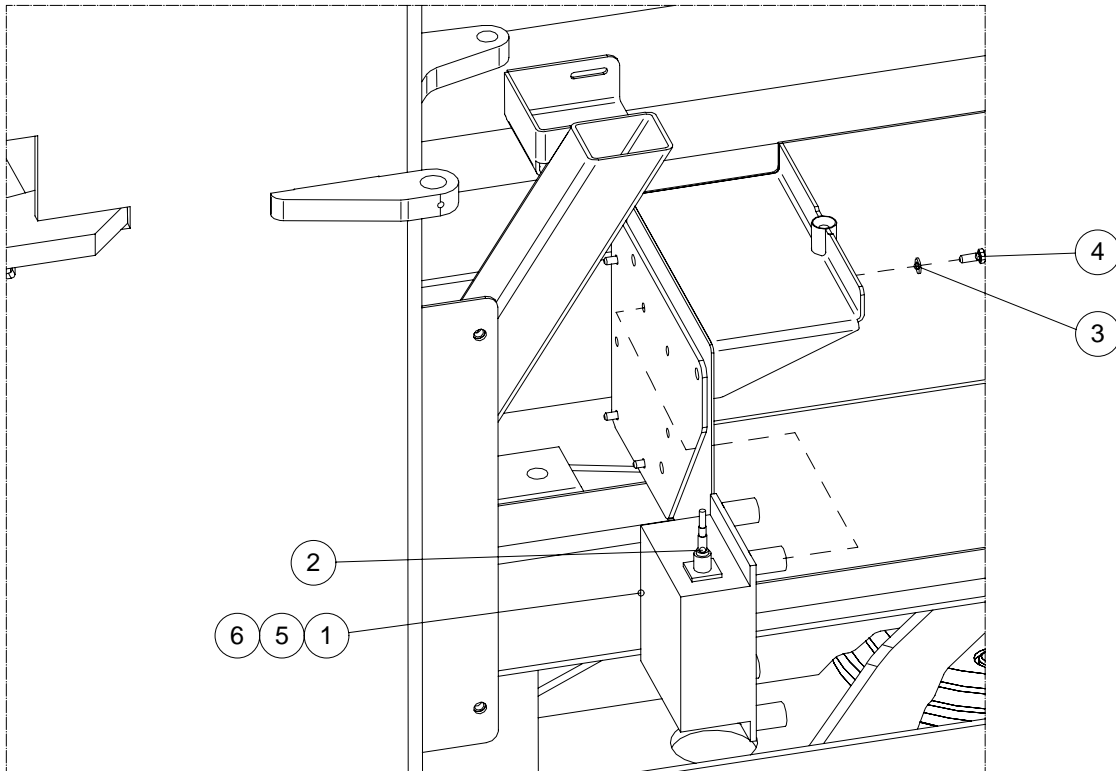


917806aA

**SN:**  
**Former:**  
**NOTE:**

**Lock**  
**Control panel hatch**  
**917806a**

| No | Part No. | Qty | Delens benämning      | Size              | Part name   |
|----|----------|-----|-----------------------|-------------------|-------------|
| 1  | 200148   | 2   | Gångjärn              |                   | Hinge       |
| 2  | 912612   | 1   | Lås                   |                   | Lock        |
| 3  | 917838   | 2   | Tätning               |                   | Seal        |
| 4  | 917807   | 1   | Framlock              |                   | Front cover |
| 5  | 917837   | 2   | Tätning               |                   | Seal        |
| 6  | 917808   | 1   | Glasskiva             |                   | Glass       |
| 7  | 46ADC6   | 4   | Bricka                | M5 DIN 125 Zn     | Washer      |
| 8  | 41MG94   | 4   | Spårskruv, krysshuvud | M5x12 DIN7985H Zn | Screw       |
| 9  | 45FI05   | 4   | Låsmutter, Nylc       | M5 8 DIN985 Zn    | Lock nut    |



927459aA

**SN:**  
**Former:**  
**NOTE:**

**Montering av fjärrkontroll**  
**Remote control assembly**  
**927459a**

| No | Part No. | Qty | Delens benämning     | Size                | Part name            |
|----|----------|-----|----------------------|---------------------|----------------------|
| 1  | 202751   | 1   | Radiostyrningssystem | EUROPE              | Radio control system |
| 2  | 202389   | 1   | Kabel                |                     | Cable                |
| 3  | 46ADD3   | 4   | Bricka               | M6 DIN125 Zn        | Washer               |
| 4  | 41BI32   | 4   | Sexkantskruv         | M6x16 8.8 DIN933 Zn | Hex bolt             |
| 5  | 202754   |     | Radiostyrningssystem | USA                 | Radio control system |
| 6  | 202755   |     | Radiostyrningssystem | JAPAN               | Radio control system |

202751



202751

**SN:**  
**Former:**  
**NOTE:**

**Radiostyrningssystem**  
**Radio control system**  
**202751**

| No | Part No. | Qty | Delens benämning              | Size   | Part name                        |
|----|----------|-----|-------------------------------|--------|----------------------------------|
| 1  | 200518   | 1   | Sändare, radiostyrningssystem | EUROPE | Radio control system transmitter |
| 2  | 200524   | 1   | Nödstoppsknapp                |        | Emergency stop switch            |
| 3  | 200525   | 1   | Säkerhetssnodd till nödstopp  |        | Security link                    |
| 4  | 200526   | 1   | Handrem                       |        | Strap                            |
| 5  | 200520   | 1   | Laddare                       | EUROPE | Battery charger                  |
| 6  | 200522   | 2   | Batteri                       |        | Battery                          |
| 7  | 200521   | 1   | Billaddare                    |        | Battery charger                  |
| 9  | 200527   | 1   | Antenn                        |        | Antenna                          |
| 10 | 202747   | 1   | Mottagare                     | EUROPE | Radio control system receiver    |





202754

**SN:**  
**Former:**  
**NOTE:**

**Radiostyrningssystem**  
**Radio control system**  
**202754**

| No | Part No. | Qty | Delens benämning             | Size       | Part name                        |
|----|----------|-----|------------------------------|------------|----------------------------------|
| 1  | 202749   | 1   | Mottagare                    | USA        | Radio control system receiver    |
| 3  | 201158   | 1   | Nätströmladdare              | USA, JAPAN | Battery charger                  |
| 4  | 200525   | 1   | Säkerhetssnodd till nödstopp |            | Security link                    |
| 5  | 200526   | 1   | Handrem                      |            | Strap                            |
| 6  | 200527   | 1   | Antenn                       |            | Antenna                          |
| 7  | 200524   | 1   | Nödstoppsknapp               |            | Emergency stop switch            |
| 8  | 200522   | 2   | Batteri                      |            | Battery                          |
| 9  | 201156   | 1   | Radiosändare                 | USA        | Radio control system transmitter |
| 10 | 200521   | 1   | Billaddare                   |            | Battery charger                  |



202755

**SN:**  
**Former:**  
**NOTE:**

**Radiostyrningssystem**  
**Radio control system**  
**202755**

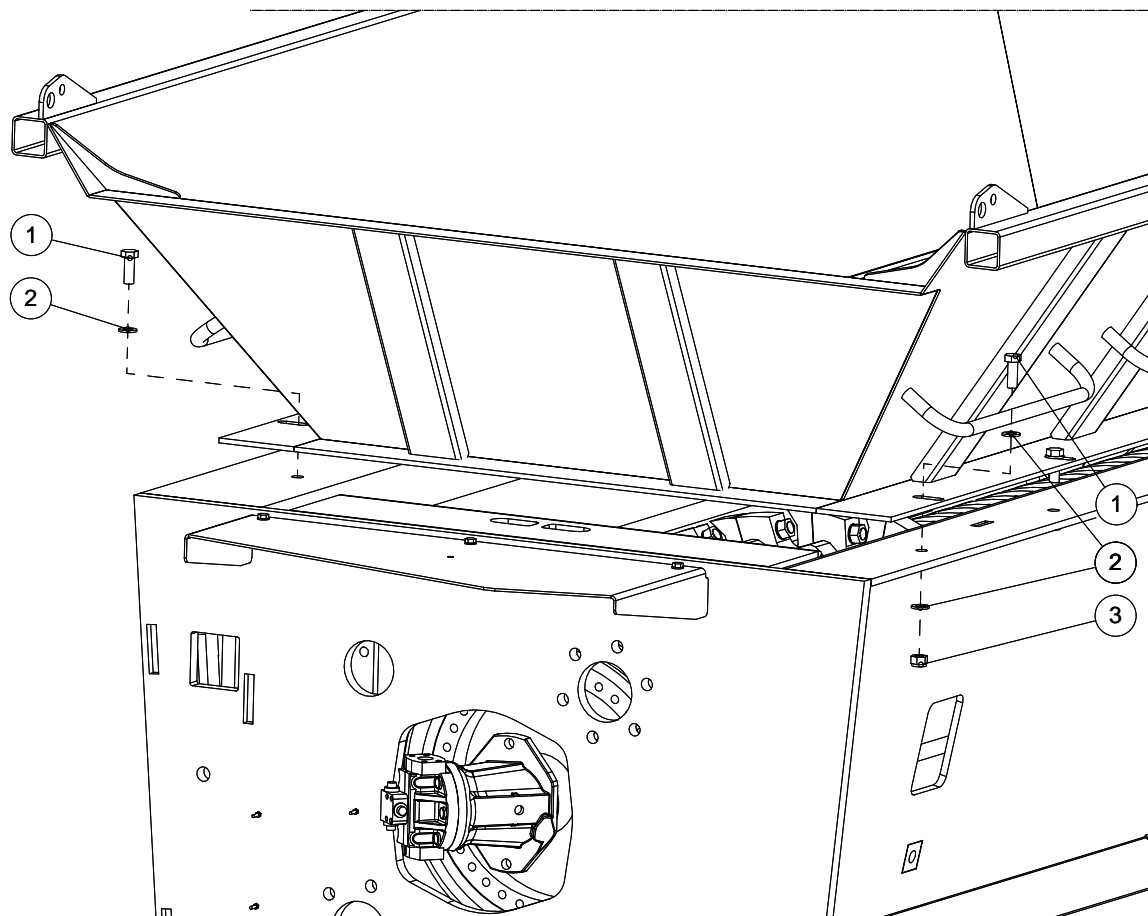
| No | Part No. | Qty | Delens benämning             | Size       | Part name                        |
|----|----------|-----|------------------------------|------------|----------------------------------|
| 1  | 201166   | 1   | Radiosändare                 | JAPAN      | Radio control system transmitter |
| 2  | 202748   | 1   | Mottagare                    | JAPAN      | Radio control system receiver    |
| 3  | 200524   | 1   | Nödstoppsknapp               |            | Emergency stop switch            |
| 4  | 200525   | 1   | Säkerhetssnodd till nödstopp |            | Security link                    |
| 5  | 200527   | 1   | Antenn                       |            | Antenna                          |
| 6  | 200526   | 1   | Handrem                      |            | Strap                            |
| 7  | 201158   | 1   | Nätströmladdare              | USA, JAPAN | Battery charger                  |
| 8  | 200522   | 2   | Batteri                      |            | Battery                          |
| 9  | 200521   | 1   | Billaddare                   |            | Battery charger                  |

**NO PICTURE AVAILABLE**

## J00024

**SN:**  
**Former:**  
**NOTE:****Kablage**  
**Wiring harnesses**  
**J00024**

| No | Part No. | Qty | Delens benämning                               | Size | Part name                                       |
|----|----------|-----|--|------|---|
| 1  | 917545   | 1   | Kablage, WL0:2,<br>startspänningsfördelning    |      | Wire harness, WL0:2, starter voltage divide     |
| 2  | 926737   | 1   | Kablage, MPC-1, motorkablage                   |      | Wire harness, MPC-1, engine wiring loom         |
| 3  | 921221   | 1   | Kablage, MPC-2, nödstopp +<br>kablage till huv |      | Wire harness, MPC-2, emergency stop and covers  |
| 4  | 921202   | 1   | Kablage, MPC-3, ventiler                       |      | Wire harness, MPC-3, valves                     |
| 5  | 921267   | 1   | Kablage, MPC-4, givare och pumpar              |      | Wire harness, MPC-4, sensors and pumps          |
| 6  | 917433   | 1   | Kablage, batterikablar                         |      | Wire harness, battery cables                    |
| 7  | 917612   | 1   | Johrtosarja, WL0:3, jordning av<br>laddare     |      | Wire harness, WL0:3, alternator ground          |
| 8  | 918245   | 2   | Kablage, nödstoppsknapp                        |      | Wire harness, emergency stop switch             |
| 9  | 922731   | 1   | Kablage, styrcentral                           |      | Wire harness, control panel                     |
| 10 | 922385   | 1   | Kablage, MPC-5, rivarenhet                     |      | Wire harness, MPC-5, shredder unit              |
| 11 | 923537   | 1   | Kablage, tryckbrytare för bandrullar           |      | Wire harness, tracks pressure switches          |
| 12 | 922516   | 1   | Kablage, MPC-6, CB1-CB2                        |      | Wire harness, MPC-6, CB1-CB2                    |
| 13 | 721010   | 2   | Kablage, jordtråd                              |      | Wire harness, earthing cable                    |
| 14 | 926844   | 1   | Kablage, MPC-15,<br>efterbehandlingsanordning  |      | Wire harness, MPC-15,<br>aftertreatment devices |
| 15 | 921333   | 1   | Kablage, MPC-11, fjärrkontrollens<br>mottagare |      | Wire harness, MPC-11, remote controller         |

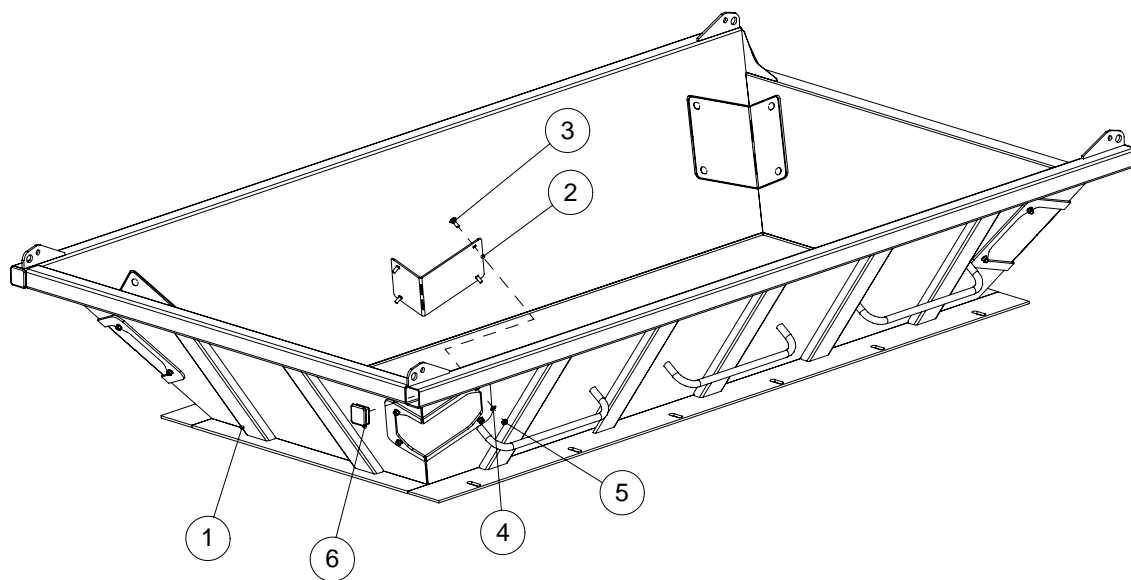


917870aA

**SN:**  
**Former:**  
**NOTE:**

**Montering av tratt**  
**Feed funnel assembly**  
**917870a**

| No | Part No. | Qty | Delens benämning | Size                 | Part name |
|----|----------|-----|------------------|----------------------|-----------|
| 1  | 41BR26   | 12  | Sexkantskruv     | M20x55 8.8 DIN933 Zn | Hex bolt  |
| 2  | 46RBG9   | 18  | HV-bricka        | D21/D37 DIN 6916     | HV-washer |
| 3  | 45FI20   | 6   | Låsmutter, Nyloc | M20 8 DIN985 Zn      | Lock nut  |



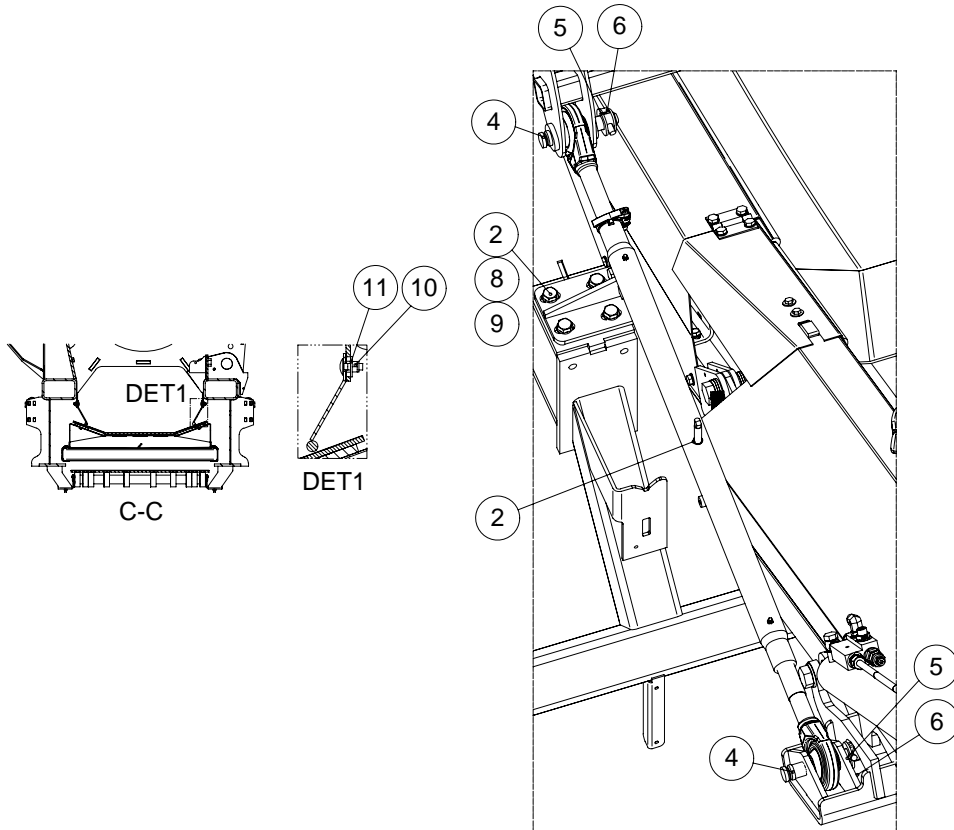
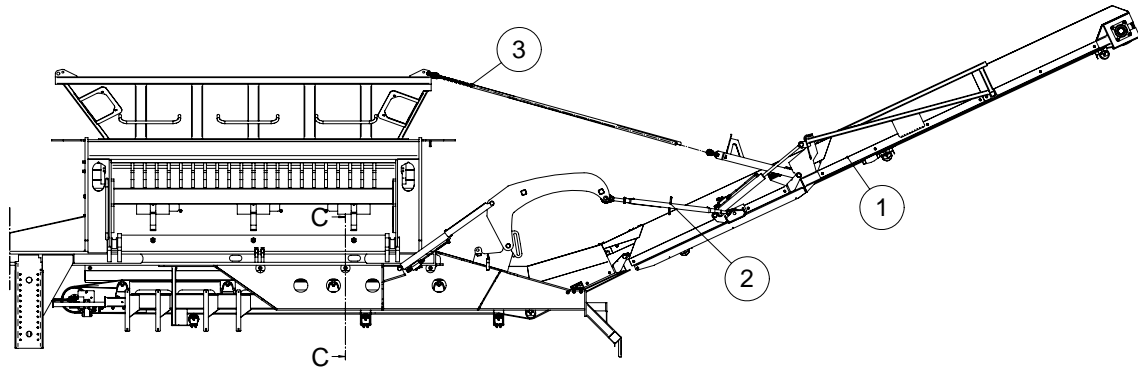


923674

**SN:**  
**Former:**  
**NOTE:**

**Tratt**  
**Feed funnel**  
**923674**

| No | Part No. | Qty | Delens benämning | Size                 | Part name   |
|----|----------|-----|------------------|----------------------|-------------|
| 1  | 917950   | 1   | Tratt            |                      | Feed funnel |
| 2  | 923676   | 4   | Lock             |                      | Cover       |
| 3  | 200470   | 16  | Låsskruv         | M12x35 8.8 DIN603 Zn | Lock screw  |
| 4  | 46ADF7   | 16  | Bricka           | M12 DIN125 Zn        | Washer      |
| 5  | 45FI12   | 16  | Låsmutter, Nyloc | M12 8 DIN985 Zn      | Lock nut    |
| 6  | 201457   | 4   | Rörpropp         |                      | Pipe plug   |

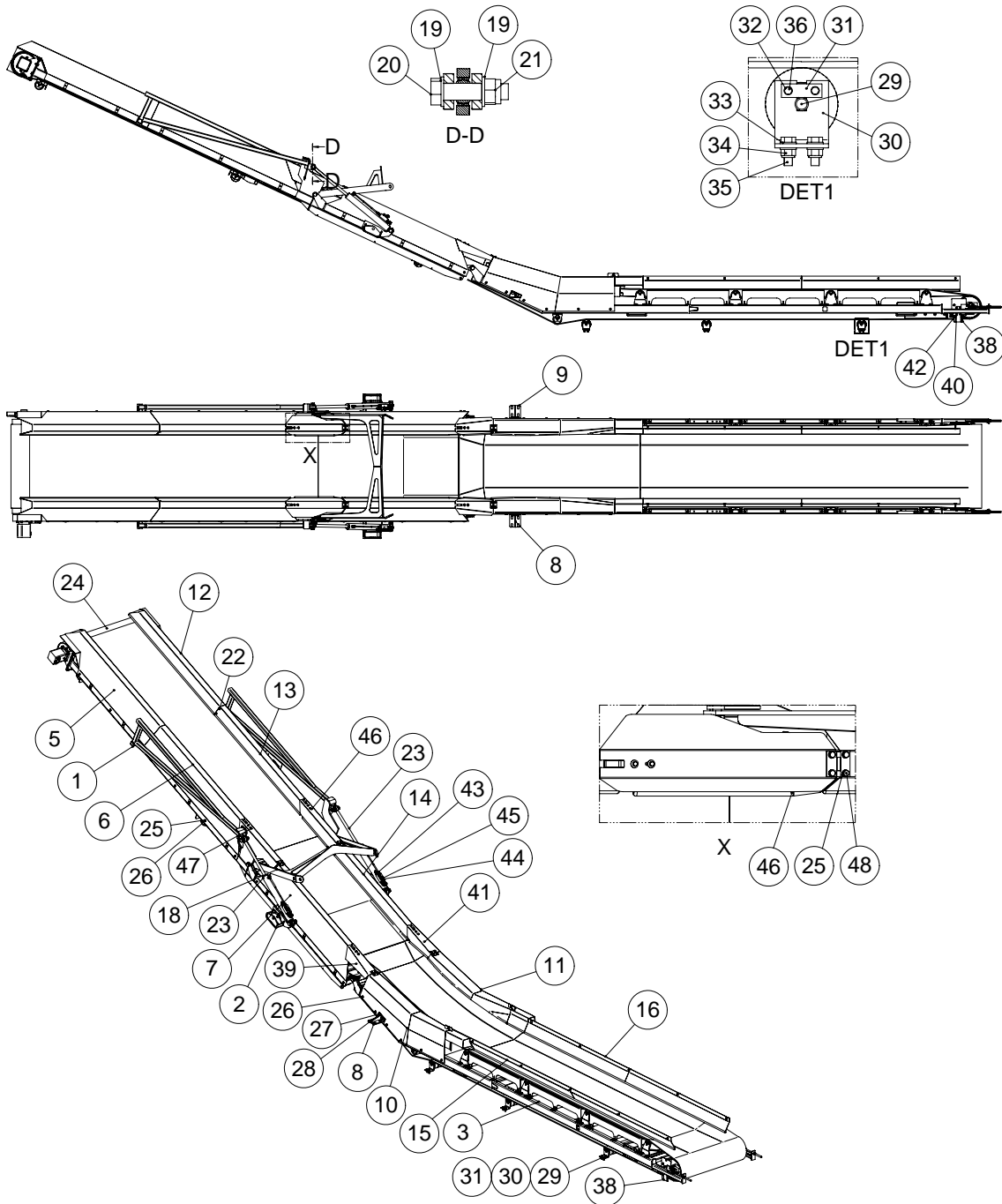


920143bB

**SN:**  
**Former:**  
**NOTE:**

**Montering av transportör**  
**Conveyor assembly**  
**920143b**

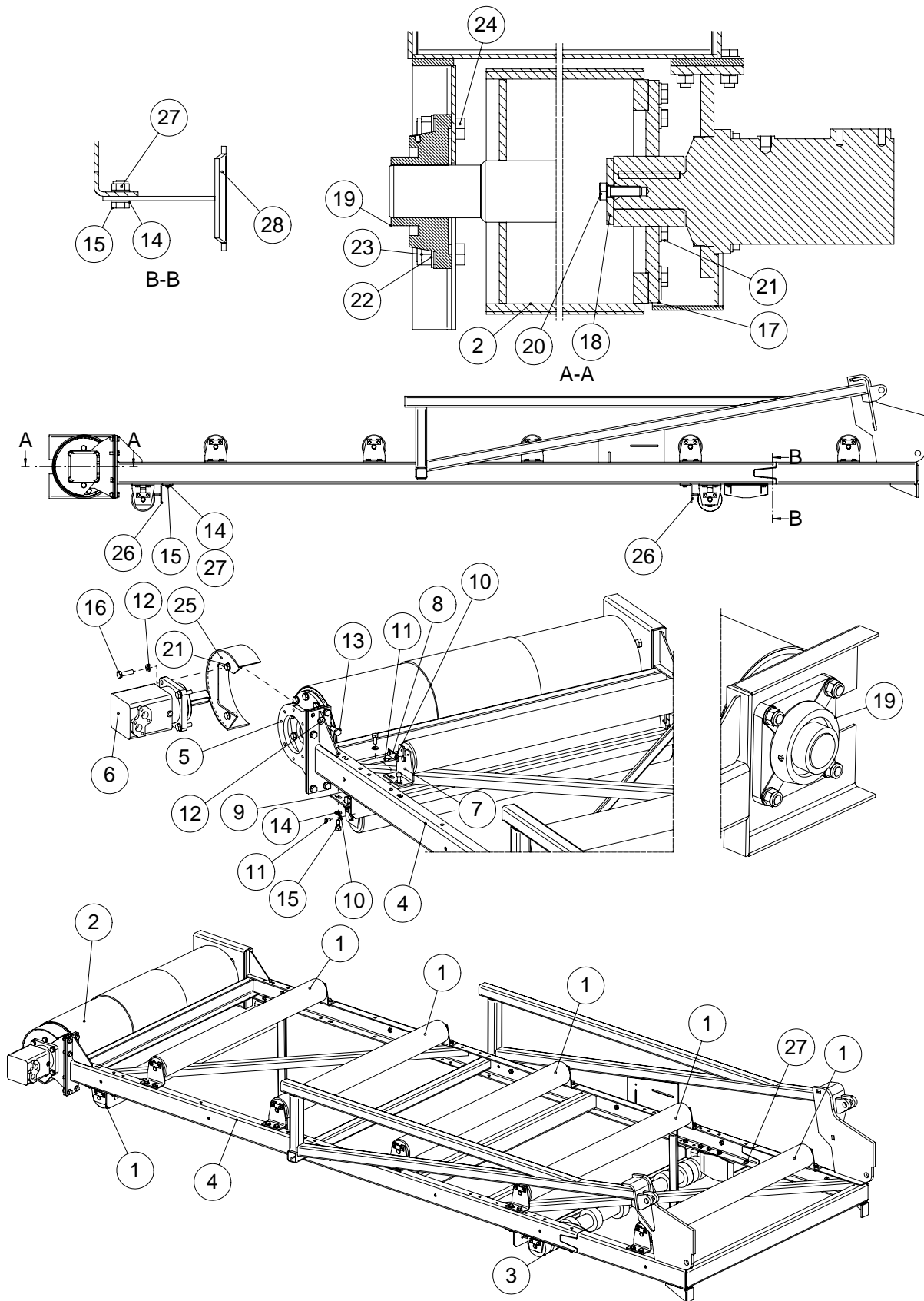
| No | Part No. | Qty | Delens benämning | Size                 | Part name |
|----|----------|-----|------------------|----------------------|-----------|
| 1  | 919389   | 1   | Transportör      |                      | Conveyor  |
| 2  | 53DV33   | 2   | Toppstång        |                      | Arm       |
| 3  | 918378   | 2   | Stödkedja        |                      | Chain     |
| 4  | 47L211   | 4   | Toppstångstapp   |                      | Tap       |
| 5  | 200062   | 4   | Bricka           | M27 DIN125           | Washer    |
| 6  | 47E055   | 4   | Ringsprint       |                      | Pin       |
| 7  | 41AN89   | 8   | Sexkantskruv     | M16x50 8.8 DIN931 Zn | Hex bolt  |
| 8  | 45F116   | 8   | Låsmutter, Nyloc | M16 DIN985 Zn        | Lock nut  |
| 9  | 46ADG8   | 16  | Bricka           | M16 DIN125 Zn        | Washer    |
| 10 | 45F112   | 10  | Låsmutter, Nyloc | M12 8 DIN985 Zn      | Lock nut  |
| 11 | 46EDF5   | 10  | Bricka           | M12x37 DIN9021 Zn    | Washer    |



919389j

SN:  
Former:  
NOTE:Transportör  
Conveyor  
**919389j**

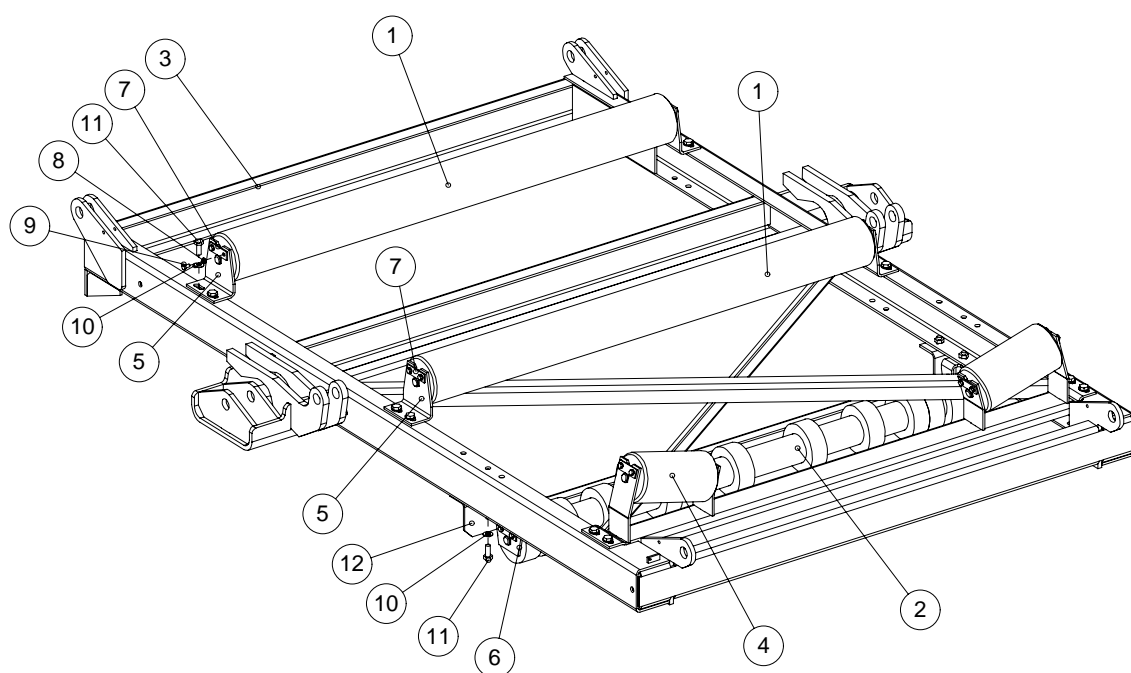
| No | Part No. | Qty | Delens benämning          | Size                 | Part name                 |
|----|----------|-----|---------------------------|----------------------|---------------------------|
| 1  | 928966   | 1   | Överdel                   |                      | Upper frame               |
| 2  | 919816   | 1   | Mittram                   |                      | Middle frame              |
| 3  | 928965   | 1   | Nederdel                  |                      | Lower frame               |
| 5  | 919261   | 1   | Sida                      |                      | Edge                      |
| 6  | 919262   | 1   | Sida                      |                      | Edge                      |
| 7  | 919263   | 1   | Sida                      |                      | Edge                      |
| 8  | 919306   | 1   | Transportörfäste          |                      | Bracket                   |
| 9  | 919307   | 1   | Transportörfäste          |                      | Bracket                   |
| 10 | 919308   | 1   | Skyddskåpa                |                      | Protective case           |
| 11 | 919318   | 1   | Skyddskåpa                |                      | Protective case           |
| 12 | 919370   | 1   | Sida                      |                      | Edge                      |
| 13 | 919373   | 1   | Sida                      |                      | Edge                      |
| 14 | 919376   | 1   | Sida                      |                      | Edge                      |
| 15 | 919377   | 1   | Sida                      |                      | Edge                      |
| 16 | 919385   | 1   | Sida                      |                      | Edge                      |
| 18 | 927789   | 1   | Stötta                    |                      | Bracket                   |
| 19 | 46ADH8   | 27  | Bricka                    | M24 DIN 125 Zn       | Washer                    |
| 20 | 41DD41   | 8   | Justerskruv               | M24x100 8.8 DIN610   | Hex bolt                  |
| 21 | 45FI24   | 8   | Låsmutter, Nyloc          | M24 8 DIN985 Zn      | Lock nut                  |
| 22 | 40YN63   | 4   | Låsskruv                  | M8x25 8.8 DIN603     | Lock bolt                 |
| 23 | 200028   | 2   | Hydraulcylinder           |                      | Hydraulic cylinder        |
| 24 | 200917   | 1   | Transportband             |                      | Conveyor belt             |
| 25 | 46ADE9   | 38  | Bricka                    | M10 DIN125 Zn        | Washer                    |
| 26 | 41BL07   | 34  | Sexkantskruv              | M10x20 8.8 DIN933 Zn | Hex bolt                  |
| 27 | 46ADG8   | 4   | Bricka                    | M16 DIN125 Zn        | Washer                    |
| 28 | 41BN85   | 4   | Sexkantskruv              | M16x35 8.8 DIN933 Zn | Hex bolt                  |
| 29 | 200088   | 3   | Returrulle                |                      | Roll                      |
| 30 | 919982   | 6   | Fäste för returrulle      |                      | Bracket                   |
| 31 | 919167   | 6   | Låsstycke                 |                      | Locking bit               |
| 32 | 46ADD3   | 12  | Bricka                    | M6 DIN125 Zn         | Washer                    |
| 33 | 46ADF7   | 24  | Bricka                    | M12 DIN125 Zn        | Washer                    |
| 34 | 45FI12   | 12  | Låsmutter, Nyloc          | M12 8 DIN985 Zn      | Lock nut                  |
| 35 | 41BM49   | 12  | Sexkantskruv              | M12x35 8.8 DIN933 Zn | Hex bolt                  |
| 36 | 41BI28   | 12  | Sexkantskruv              | M6x12 8.8 DIN933 Zn  | Hex bolt                  |
| 38 | 928972   | 2   | Styranordning             |                      | Guide                     |
| 39 | 920298   | 1   | Ledskydd, vänster         |                      | Protective cover, left    |
| 40 | 45FI10   | 4   | Låsmutter                 | M10 8 DIN985 Zn      | Lock nut                  |
| 41 | 920301   | 1   | Ledskydd, höger           |                      | Protective cover, right   |
| 42 | 41BL09   | 4   | Sexkantskruv              | M10x25 8.8 DIN933 Zn | Hex bolt                  |
| 43 | 201460   | 2   | Dubbel lastsänkingsventil |                      | Double load control valve |
| 44 | 200179   | 2   | Vinkelkoppling            |                      | Elbow fitting             |
| 45 | 57OBI083 | 2   | Rak koppling              |                      | Fitting                   |
| 46 | 925524   | 1   | Ledskydd, vänster         |                      | Joint cover, left         |
| 47 | 925539   | 1   | Ledskydd, höger           |                      | Joint cover, right        |
| 48 | 41BL04   | 4   | Sexkantskruv              | M10x16 8.8 DIN933 Zn | Hex bolt                  |
| 49 | 46AFE9   | 8   | Bricka                    | M10 A2 DIN125        | Washer                    |
| 50 | 45AP10   | 4   | Insexmutter               | M10 A2 DIN934        | Hex nut                   |
| 51 | 200554   | 4   | Insexskruv                | M10x20 A2 DIN933     | Hex bolt                  |



928966

**SN:**  
**Former:**  
**NOTE:****Överdel**  
**Upper frame**  
**928966**

| No | Part No. | Qty | Delens benämning | Size                 | Part name       |
|----|----------|-----|------------------|----------------------|-----------------|
| 1  | 200087   | 6   | Stålrulle        |                      | Roll            |
| 2  | 928967   | 1   | Drivtrumma       |                      | Drive pulley    |
| 3  | 200089   | 1   | Returrulle       |                      | Roll            |
| 4  | 919256   | 1   | Övre ram         |                      | Upper frame     |
| 5  | 919854   | 1   | Motorfäste       |                      | Bracket         |
| 6  | 200101   | 1   | Hydraulmotor     |                      | Hydraulic motor |
| 7  | 919166   | 10  | Rullfäste        |                      | Roll bracket    |
| 8  | 919167   | 14  | Låsstycke        |                      | Locking bit     |
| 9  | 919168   | 4   | Rullfäste        |                      | Roll bracket    |
| 10 | 46ADD3   | 28  | Bricka           | M6 DIN125 Zn         | Washer          |
| 11 | 41BI28   | 28  | Sexkantskruv     | M6x12 8.8 DIN933 Zn  | Hex bolt        |
| 12 | 46ADF7   | 23  | Bricka           | M12 DIN125 Zn        | Washer          |
| 13 | 41BM49   | 6   | Sexkantskruv     | M12x35 8.8 DIN933 Zn | Hex bolt        |
| 14 | 46ADE9   | 42  | Bricka           | M10 DIN125 Zn        | Washer          |
| 15 | 41BL09   | 36  | Sexkantskruv     | M10x25 8.8 DIN933 Zn | Hex bolt        |
| 16 | 41BM52   | 4   | Sexkantskruv     | M12x45 8.8 DIN933 Zn | Hex bolt        |
| 17 | 919858   | 1   | Ändfläns         |                      | Flange          |
| 18 | 919859   | 1   | Spännskiva       |                      | Locking plate   |
| 19 | 200599   | 1   | Flänslager       |                      | Flange bearing  |
| 20 | 41BM51   | 1   | Sexkantskruv     | M12x40 8.8 DIN933 Zn | Hex bolt        |
| 21 | 41BM47   | 12  | Sexkantskruv     | M12x30 8.8 DIN933 Zn | Hex bolt        |
| 22 | 46ADG8   | 4   | Bricka           | M16 DIN125 Zn        | Washer          |
| 23 | 45FI16   | 4   | Låsmutter, Nyloc | M16 DIN985 Zn        | Lock nut        |
| 24 | 41BN88   | 4   | Sexkantskruv     | M16x45 8.8 DIN933 Zn | Hex bolt        |
| 25 | 919862   | 1   | Skyddskåpa       |                      | Protective case |
| 26 | 919216   | 2   | Skrapa           |                      | Scraper         |
| 27 | 45FI10   | 6   | Låsmutter        | M10 8 DIN985 Zn      | Lock nut        |
| 28 | 919220   | 2   | Remstyrning      |                      | Belt wrapper    |



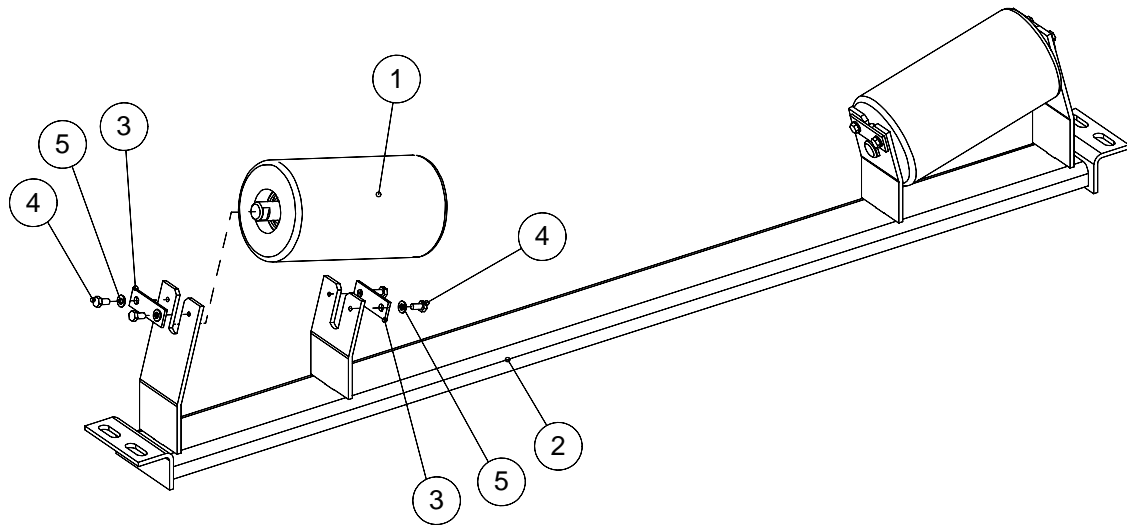


919816bB

**SN:**  
**Former:**  
**NOTE:**

**Mittram**  
**Middle frame**  
**919816b**

| No | Part No. | Qty | Delens benämning | Size                 | Part name    |
|----|----------|-----|------------------|----------------------|--------------|
| 1  | 200087   | 2   | Stålrulle        |                      | Roll         |
| 2  | 200089   | 1   | Returrulle       |                      | Roll         |
| 3  | 919813   | 1   | Mellanram        |                      | Frame        |
| 4  | 919348   | 1   | Rullfäste        |                      | Roll bracket |
| 5  | 919166   | 4   | Rullfäste        |                      | Roll bracket |
| 6  | 919168   | 2   | Rullfäste        |                      | Roll bracket |
| 7  | 919167   | 6   | Låsstycke        |                      | Locking bit  |
| 8  | 46ADD3   | 12  | Bricka           | M6 DIN125 Zn         | Washer       |
| 9  | 41BI28   | 12  | Sexkantskruv     | M6x12 8.8 DIN933 Zn  | Hex bolt     |
| 10 | 46ADE9   | 18  | Bricka           | M10 DIN125 Zn        | Washer       |
| 11 | 41BL09   | 18  | Sexkantskruv     | M10x25 8.8 DIN933 Zn | Hex bolt     |
| 12 | 919216   | 1   | Skrapa           |                      | Scraper      |

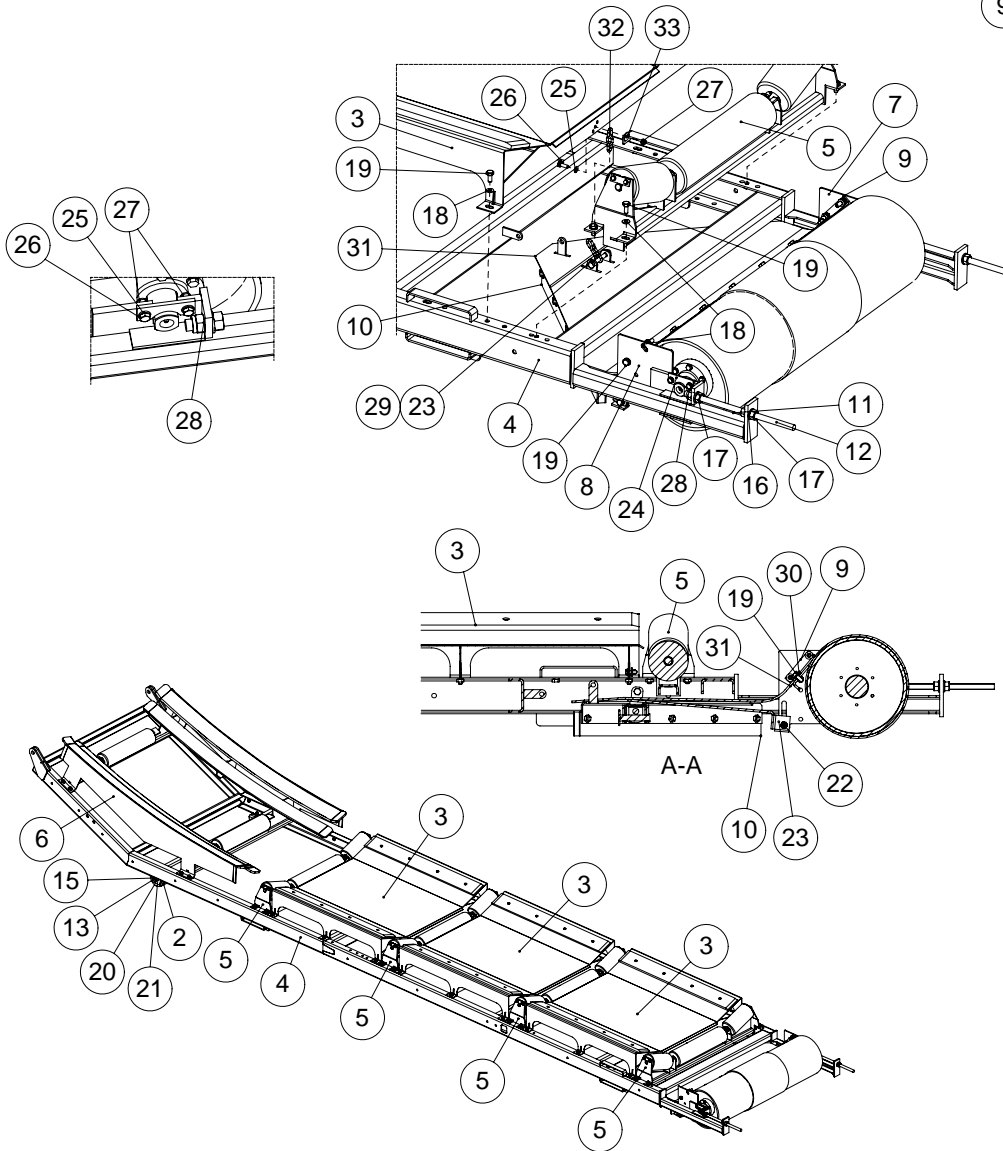
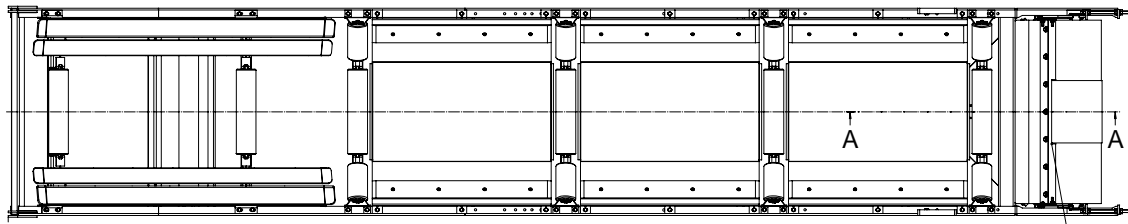


919348

**SN:**  
**Former:**  
**NOTE:**

**Rullfäste**  
**Roll bracket**  
**919348**

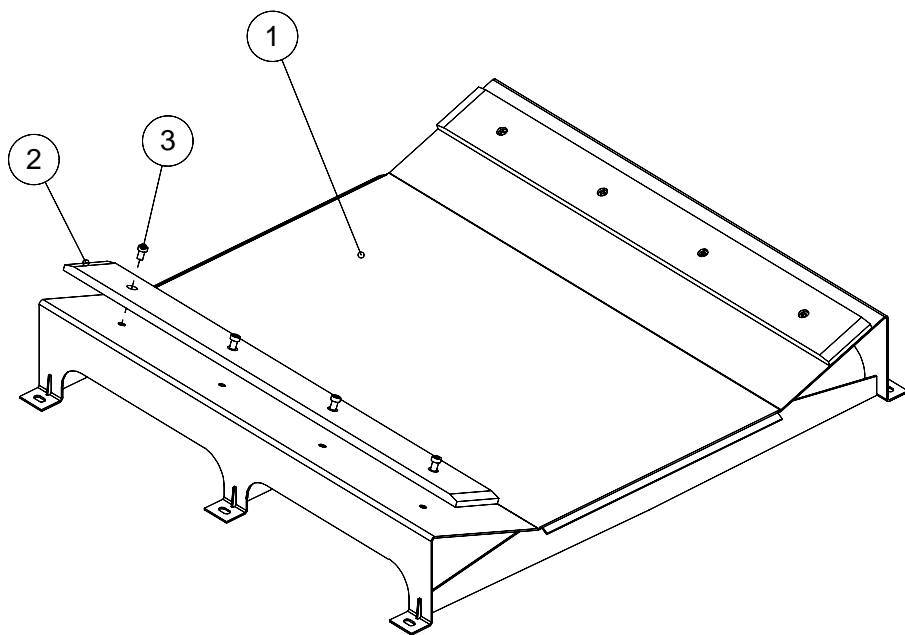
| No | Part No. | Qty | Delens benämning | Size                | Part name    |
|----|----------|-----|------------------|---------------------|--------------|
| 1  | 200085   | 2   | Stålrulle        |                     | Roll         |
| 2  | 919260   | 1   | Rullfäste        |                     | Roll bracket |
| 3  | 919167   | 4   | Låsstycke        |                     | Locking bit  |
| 4  | 41BI28   | 8   | Sexkantskruv     | M6x12 8.8 DIN933 Zn | Hex bolt     |
| 5  | 46ADD3   | 8   | Bricka           | M6 DIN125 Zn        | Washer       |



928965

**SN:**  
**Former:**  
**NOTE:****Nederdel**  
**Lower frame**  
**928965**

| No | Part No. | Qty | Delens benämning | Size                 | Part name      |
|----|----------|-----|------------------|----------------------|----------------|
| 2  | 200086   | 1   | Stålrulle        |                      | Roll           |
| 3  | 919270   | 3   | Anslagsplatta    |                      | Impact plate   |
| 4  | 919807   | 1   | Nedre ram        |                      | Frame          |
| 5  | 919269   | 4   | Rullhållare      |                      | Roll bracket   |
| 6  | 919980   | 1   | Böj              |                      | Bend           |
| 7  | 919874   | 1   | Släde            |                      | Carriage       |
| 8  | 919877   | 1   | Släde            |                      | Carriage       |
| 9  | 928963   | 1   | Skrapskena       |                      | Scraper        |
| 10 | 920340   | 1   | Plogskrapa       |                      | Plow scraper   |
| 11 | 928962   | 1   | Bryttrumma       |                      | Turnover drum  |
| 12 | 919878   | 2   | Justeringsstång  |                      | Adjusting rod  |
| 13 | 928948   | 2   | Rullställ        |                      | Roller bracket |
| 15 | 919167   | 2   | Låsstycke        |                      | Locking bit    |
| 16 | 46ADG8   | 6   | Bricka           | M16 DIN125 Zn        | Washer         |
| 17 | 45AI16   | 6   | Sexkantmutter    | M16 8 DIN934 Zn      | Hex nut        |
| 18 | 46ADE9   | 52  | Bricka           | M10 DIN125 Zn        | Washer         |
| 19 | 41BL09   | 57  | Sexkantskruv     | M10x25 8.8 DIN933 Zn | Hex bolt       |
| 20 | 46ADD3   | 4   | Bricka           | M6 DIN125 Zn         | Washer         |
| 21 | 41BI28   | 4   | Sexkantskruv     | M6x12 8.8 DIN933 Zn  | Hex bolt       |
| 22 | 41AL13   | 2   | Sexkantskruv     | M10x35 8.8 DIN931 Zn | Hex bolt       |
| 23 | 45FI10   | 3   | Låsmutter        | M10 8 DIN985 Zn      | Lock nut       |
| 24 | 919876   | 2   | Regel            |                      | Latch          |
| 25 | 46ADE4   | 5   | Bricka           | M8 DIN125 Zn         | Washer         |
| 26 | 41BJ73   | 5   | Sexkantskruv     | M8x25 8.8 DIN933 Zn  | Hex bolt       |
| 27 | 45FI08   | 5   | Låsmutter, Nyloc | M8 8 DIN985 Zn       | Lock nut       |
| 28 | 45FI16   | 2   | Låsmutter, Nyloc | M16 DIN985 Zn        | Lock nut       |
| 29 | 41AL25   | 1   | Sexkantskruv     | M10x90 8.8 DIN931 Zn | Hex bolt       |
| 30 | 46EDF3   | 7   | Karosseribricka  | M10x30 DIN9021 Zn    | Washer         |
| 31 | 920342   | 1   | Skyddsgummi      |                      | Rubber         |
| 32 | 200445   | 1   | Kedja            |                      | Chain          |
| 33 | 46EDF2   | 1   | Karosseribricka  | M8x24 DIN9021 Zn     | Washer         |

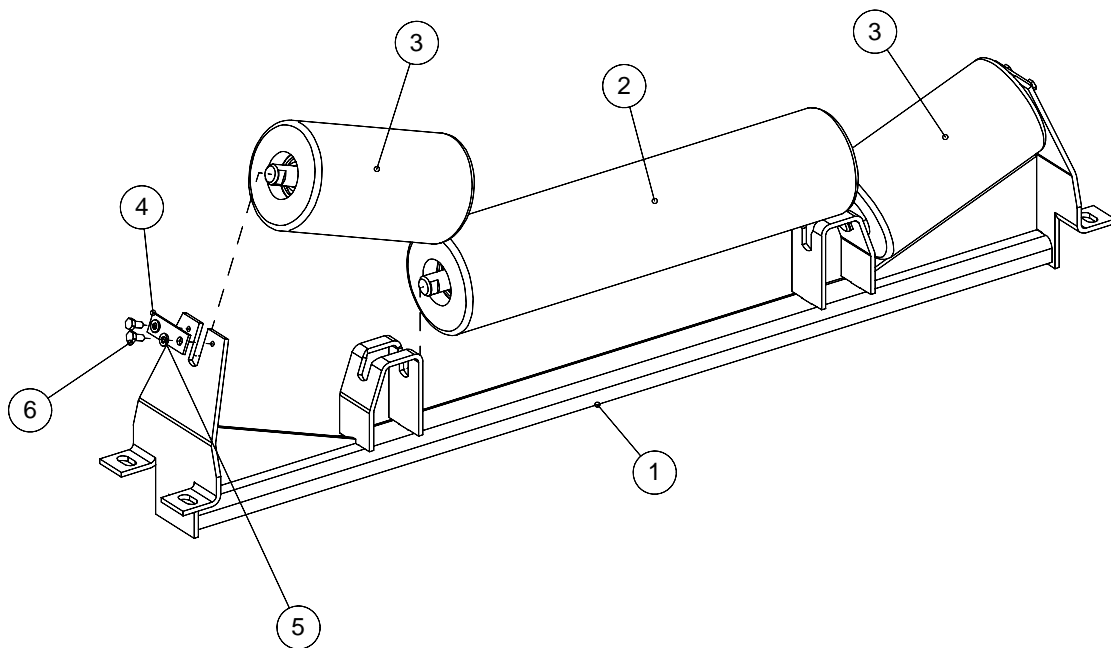


919270

**SN:**  
**Former:**  
**NOTE:**

**Anslagsplatta**  
**Impact plate**  
**919270**

| No | Part No. | Qty | Delens benämning | Size                  | Part name    |
|----|----------|-----|------------------|-----------------------|--------------|
| 1  | 919271   | 1   | Anslagsplatta    |                       | Impact plate |
| 2  | 919274   | 2   | Slitplatta       |                       | Slide plate  |
| 3  | 200468   | 8   | Insexskruv       | M10x16 8.8 DIN6912 Zn | Allen screw  |



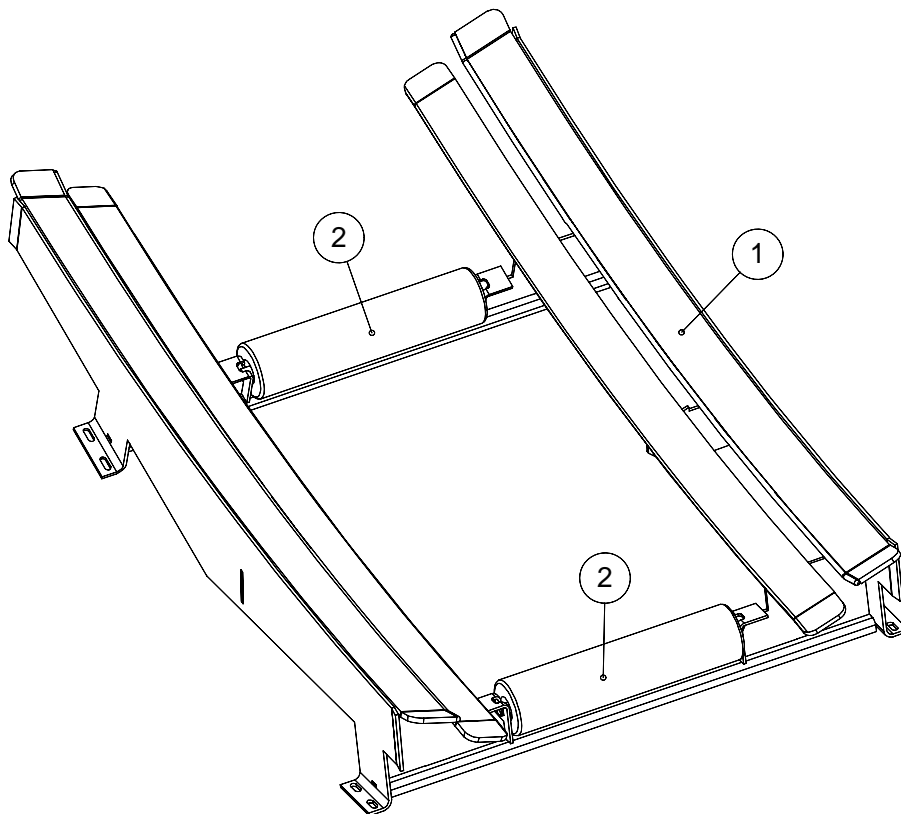


919269

**SN:**  
**Former:**  
**NOTE:**

**Rullhållare**  
**Roll bracket**  
**919269**

| No | Part No. | Qty | Delens benämning | Size                | Part name    |
|----|----------|-----|------------------|---------------------|--------------|
| 1  | 919211   | 1   | Rullhållare      |                     | Roll bracket |
| 2  | 200084   | 1   | Stålrulle        |                     | Roll         |
| 3  | 200085   | 2   | Stålrulle        |                     | Roll         |
| 4  | 919167   | 2   | Låsstycke        |                     | Locking bit  |
| 5  | 46ADD3   | 4   | Bricka           | M6 DIN125 Zn        | Washer       |
| 6  | 41BI28   | 4   | Sexkantskruv     | M6x12 8.8 DIN933 Zn | Hex bolt     |



171027  
ett09258

Tana SHARK 440DTeco

H117

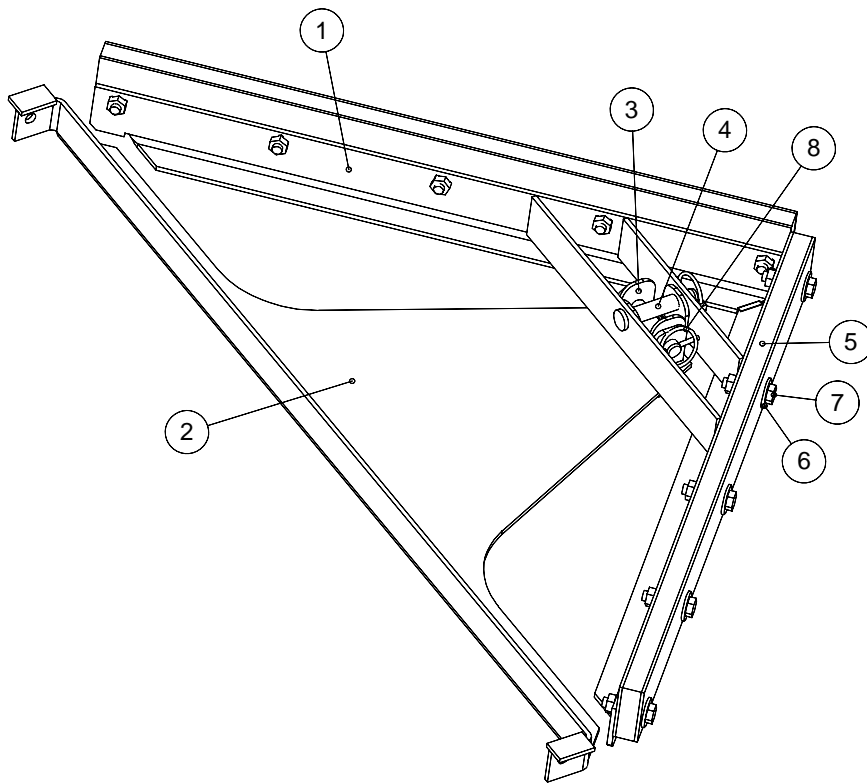
919980

**SN:**  
**Former:**  
**NOTE:**

**Böj**  
**Bend**  
**919980**

| No | Part No. | Qty | Delens benämning | Size | Part name |
|----|----------|-----|------------------|------|-----------|
| 1  | 919974   | 1   | Böj              |      | Bend      |
| 2  | 200084   | 2   | Stålrulle        |      | Roll      |

**TANA**

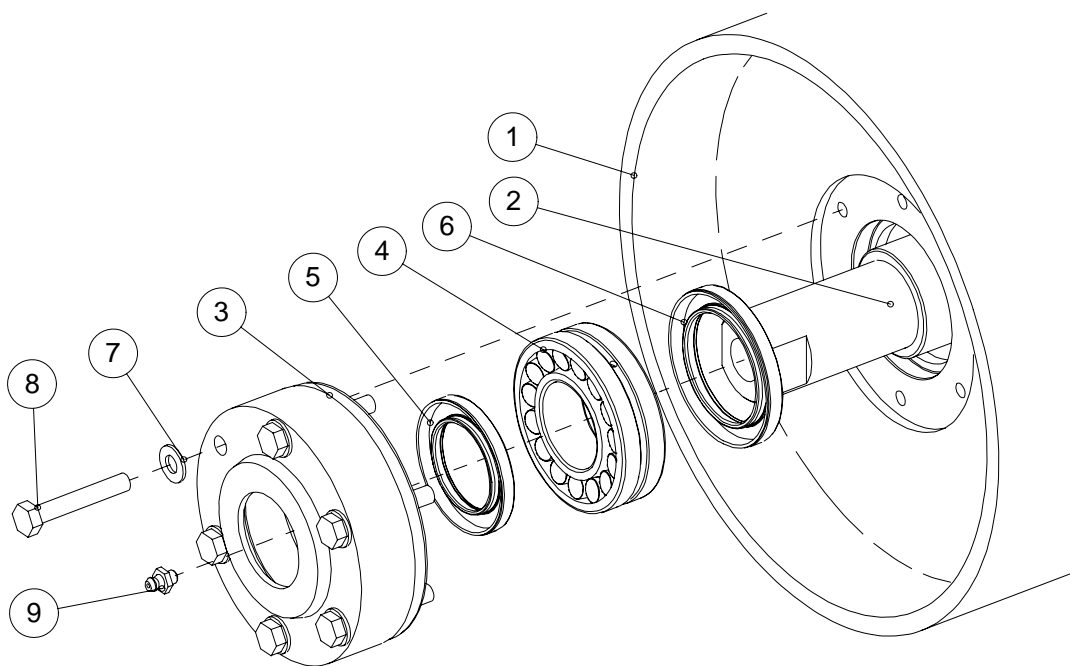


920340aA

**SN:**  
**Former:**  
**NOTE:**

**Plogskrapa**  
**Plow scraper**  
**920340a**

| No | Part No. | Qty | Delens benämning | Size                 | Part name  |
|----|----------|-----|------------------|----------------------|------------|
| 1  | 920339   | 1   | Plog             |                      | Plow       |
| 2  | 920335   | 1   | Konsol           |                      | Bracket    |
| 3  | 920336   | 1   | Korsstycke       |                      | Bracket    |
| 4  | 920349   | 2   | Sprintbult       |                      | Pin        |
| 5  | 920471   | 2   | Plogblad         |                      | Plow blade |
| 6  | 46EDF3   | 10  | Karosseribricka  | M10x30 DIN9021 Zn    | Washer     |
| 7  | 41AL16   | 10  | Sexkantsskruv    | M10x45 8.8 DIN931 Zn | Hex bolt   |
| 8  | 47E045   | 2   | Ringsprint       |                      | Pin        |

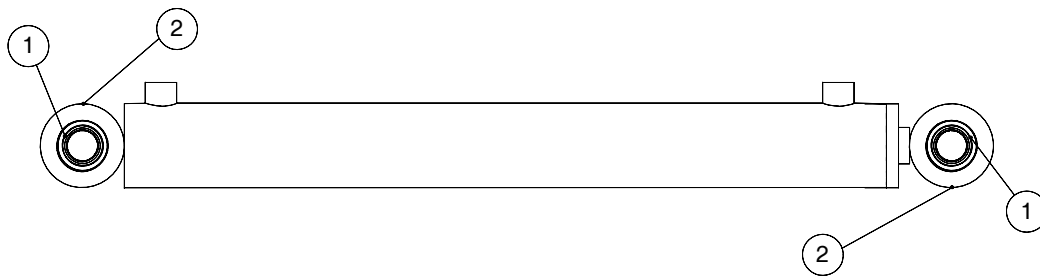


928962

**SN:**  
**Former:**  
**NOTE:**

**Bryttrumma**  
**Turnover drum**  
**928962**

| No | Part No. | Qty | Delens benämning | Size                | Part name       |
|----|----------|-----|------------------|---------------------|-----------------|
| 1  | 928961   | 1   | Bryttrumma       |                     | Turnover drum   |
| 2  | 919851   | 1   | Axel             |                     | Shaft           |
| 3  | 919850   | 2   | Lagerhus         |                     | Bearing housing |
| 4  | 201508   | 2   | Koniskt rullager |                     | Bearing         |
| 5  | 201509   | 2   | Axeltätning      |                     | Shaft seal      |
| 6  | 201510   | 2   | Axeltätning      |                     | Shaft seal      |
| 7  | 46ADE4   | 12  | Bricka           | M8 DIN125 Zn        | Washer          |
| 8  | 41AJ81   | 12  | Sexkantskruv     | M8x50 8.8 DIN931 Zn | Hex bolt        |
| 9  | 59D510   | 2   | Smörjnippel      |                     | Grease nipple   |

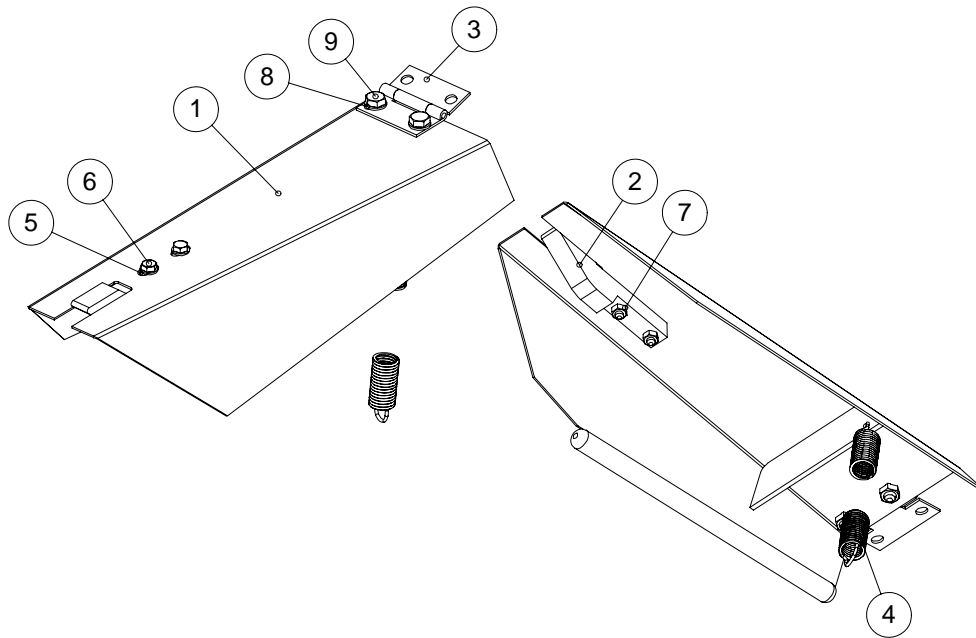




**SN:**  
**Former:**  
**NOTE:**

**Hydraulcylinder**  
**Hydraulic cylinder**  
**200028b**

| No | Part No. | Qty | Delens benämning | Size             | Part name |
|----|----------|-----|------------------|------------------|-----------|
| 1  | 201464   | 2   | Lager            |                  | Bearing   |
| 2  | 40OI20   | 2   | Stoppskruv       | M6x8 10.9 DIN913 | Set screw |

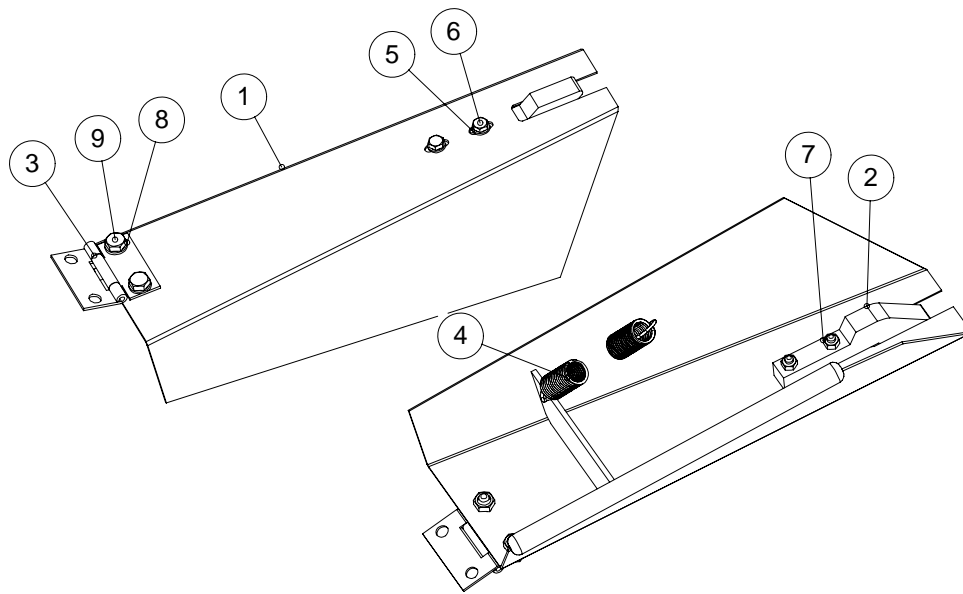


920298aA

**SN:**  
**Former:**  
**NOTE:**

**Ledskydd, vänster**  
**Protective cover, left**  
**920298a**

| No | Part No. | Qty | Delens benämning  | Size             | Part name              |
|----|----------|-----|-------------------|------------------|------------------------|
| 1  | 920291   | 1   | Ledskydd, vänster |                  | Protective cover, left |
| 2  | 920002   | 1   | Styrning          |                  | Guide                  |
| 3  | 920122   | 1   | Gångjärn          |                  | Hinge                  |
| 4  | 200631   | 1   | Spiralfjäder      |                  | Spring                 |
| 5  | 202474   | 2   | Bricka            | M8 A2 DIN125     | Washer                 |
| 6  | 202471   | 2   | Insexskruv        | M8x35 A2 DIN931  | Hex bolt               |
| 7  | 45AP08   | 2   | Insexmutter       | M8 A2 DIN934     | Hex nut                |
| 8  | 46AFE9   | 2   | Bricka            | M10 A2 DIN125    | Washer                 |
| 9  | 200554   | 2   | Insexskruv        | M10x20 A2 DIN933 | Hex bolt               |

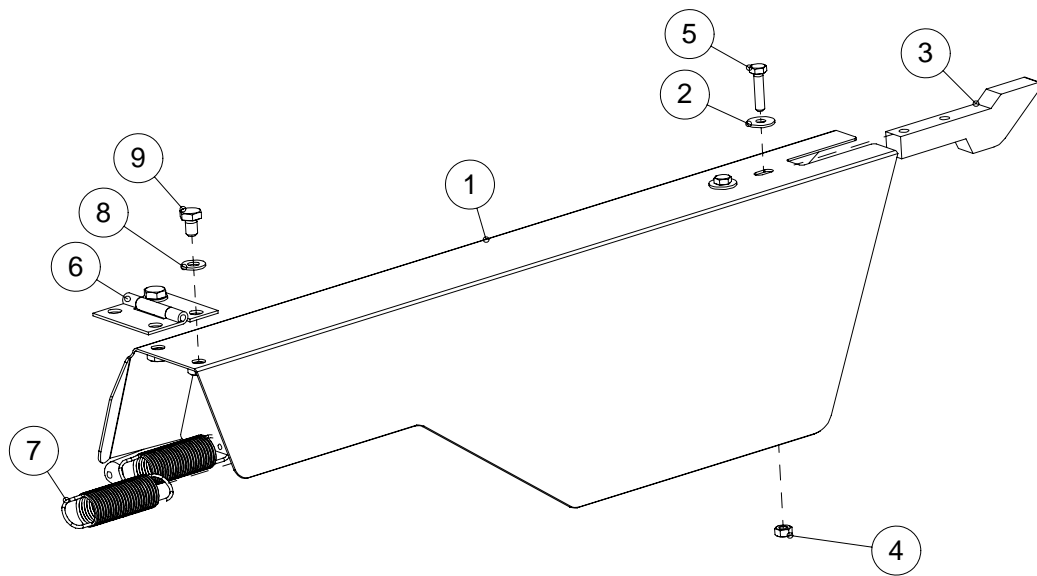


920301aA

**SN:**  
**Former:**  
**NOTE:**

**Ledskydd, höger**  
**Protective cover, right**  
**920301a**

| No | Part No. | Qty | Delens benämning | Size             | Part name               |
|----|----------|-----|------------------|------------------|-------------------------|
| 1  | 920300   | 1   | Ledskydd, höger  |                  | Protective cover, right |
| 2  | 920002   | 1   | Styrning         |                  | Guide                   |
| 3  | 920122   | 1   | Gångjärn         |                  | Hinge                   |
| 4  | 200631   | 1   | Spiralfjäder     |                  | Spring                  |
| 5  | 202474   | 2   | Bricka           | M8 A2 DIN125     | Washer                  |
| 6  | 202471   | 2   | Insexskruv       | M8x35 A2 DIN931  | Hex bolt                |
| 7  | 45AP08   | 2   | Insexmutter      | M8 A2 DIN934     | Hex nut                 |
| 8  | 46AFE9   | 2   | Bricka           | M10 A2 DIN125    | Washer                  |
| 9  | 200554   | 2   | Insexskruv       | M10x20 A2 DIN933 | Hex bolt                |



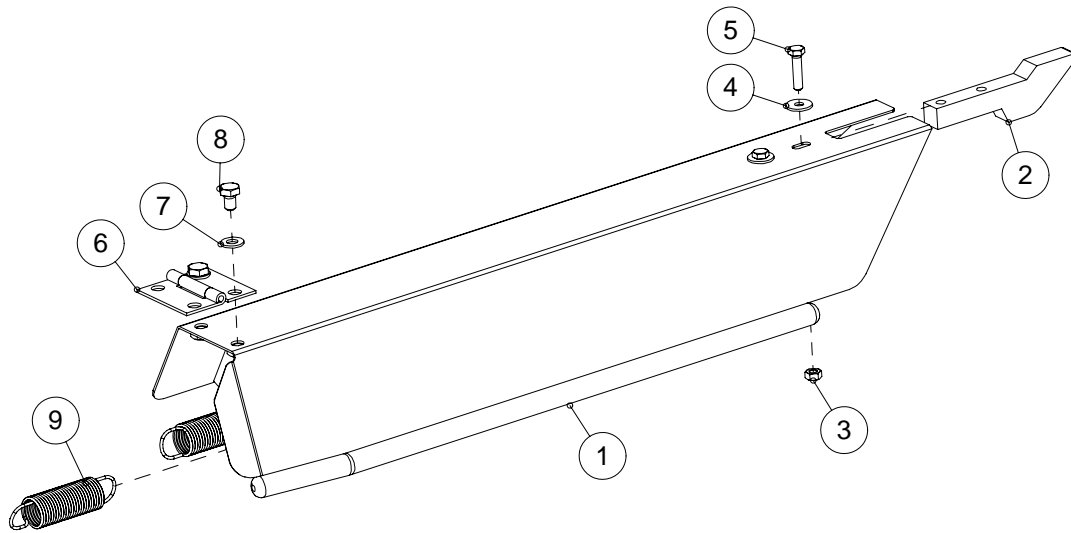
925524

**SN:**  
**Former:**  
**NOTE:**

**Ledskydd, vänster**  
**Joint cover, left**  
**925524**

| No | Part No. | Qty | Delens benämning | Size                 | Part name   |
|----|----------|-----|------------------|----------------------|-------------|
| 1  | 925521   | 1   | Ledskydd         |                      | Joint cover |
| 2  | 46EDF2   | 2   | Karosseribricka  | M8x24 DIN9021 Zn     | Washer      |
| 3  | 920002   | 1   | Styrning         |                      | Guide       |
| 4  | 45AI08   | 2   | Sexkantmutter    | M8 8 DIN934 Zn       | Hex nut     |
| 5  | 41AJ77   | 2   | Sexkantskruv     | M8x35 8.8 DIN931 Zn  | Hex bolt    |
| 6  | 920122   | 1   | Gångjärn         |                      | Hinge       |
| 7  | 201902   | 2   | Dragfjäder       |                      | Spring      |
| 8  | 46ADE9   | 2   | Bricka           | M10 DIN125 Zn        | Washer      |
| 9  | 41BL04   | 2   | Sexkantskruv     | M10x16 8.8 DIN933 Zn | Hex bolt    |
| 10 | 202177   | 1   | Dragfjäder       |                      | Spring      |

925539



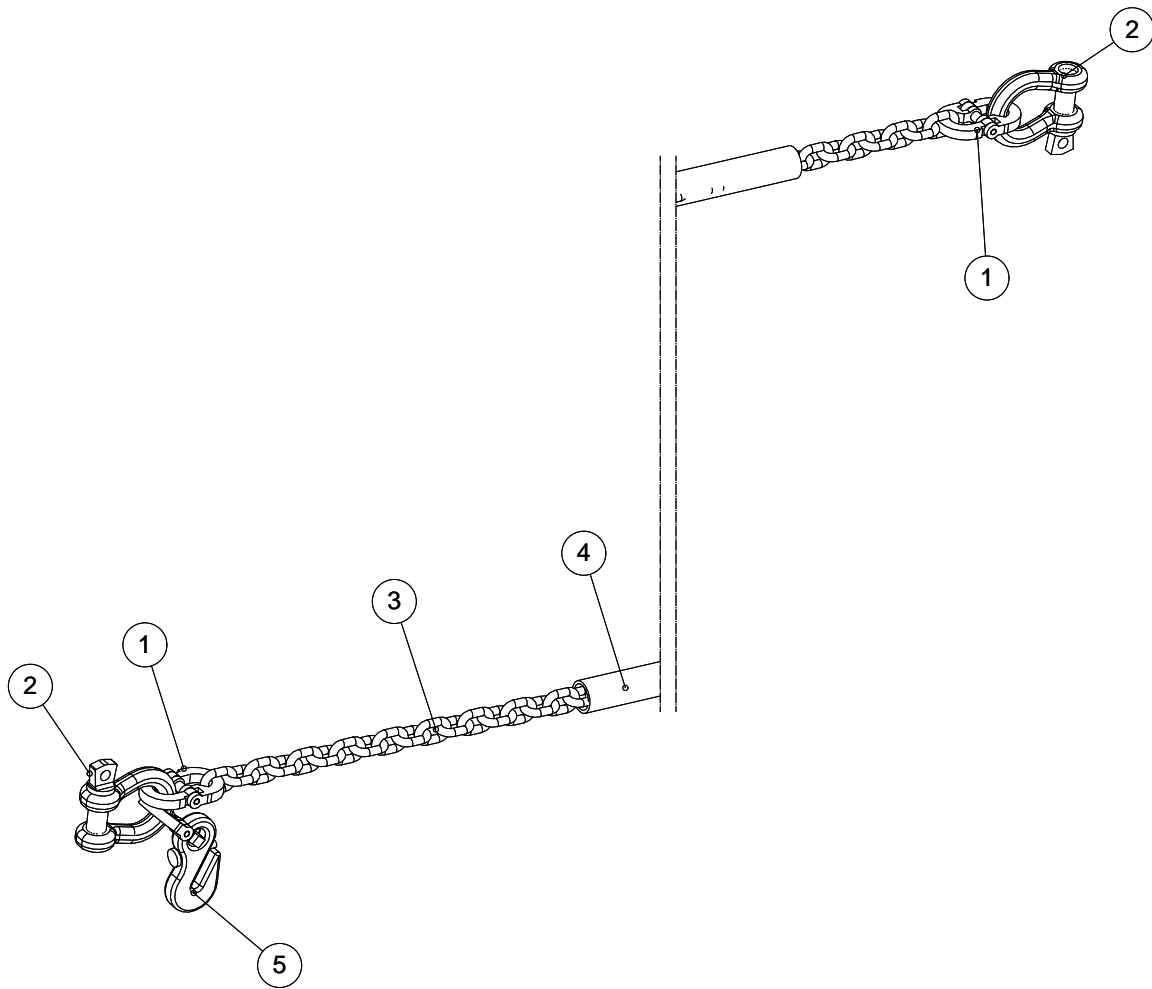


925539

**SN:**  
**Former:**  
**NOTE:**

**Ledskydd, höger**  
**Joint cover, right**  
**925539**

| No | Part No. | Qty | Delens benämning | Size                 | Part name   |
|----|----------|-----|------------------|----------------------|-------------|
| 1  | 925537   | 1   | Ledskydd         |                      | Joint cover |
| 2  | 920002   | 1   | Styrning         |                      | Guide       |
| 3  | 45AI08   | 2   | Sexkantmutter    | M8 8 DIN934 Zn       | Hex nut     |
| 4  | 46EDF2   | 2   | Karosseribricka  | M8x24 DIN9021 Zn     | Washer      |
| 5  | 41AJ77   | 2   | Sexkantskruv     | M8x35 8.8 DIN931 Zn  | Hex bolt    |
| 6  | 920122   | 1   | Gångjärn         |                      | Hinge       |
| 7  | 46ADE9   | 2   | Bricka           | M10 DIN125 Zn        | Washer      |
| 8  | 41BL04   | 2   | Sexkantskruv     | M10x16 8.8 DIN933 Zn | Hex bolt    |
| 9  | 201902   | 2   | Dragfjäder       |                      | Spring      |
| 10 | 202177   | 1   | Dragfjäder       |                      | Spring      |

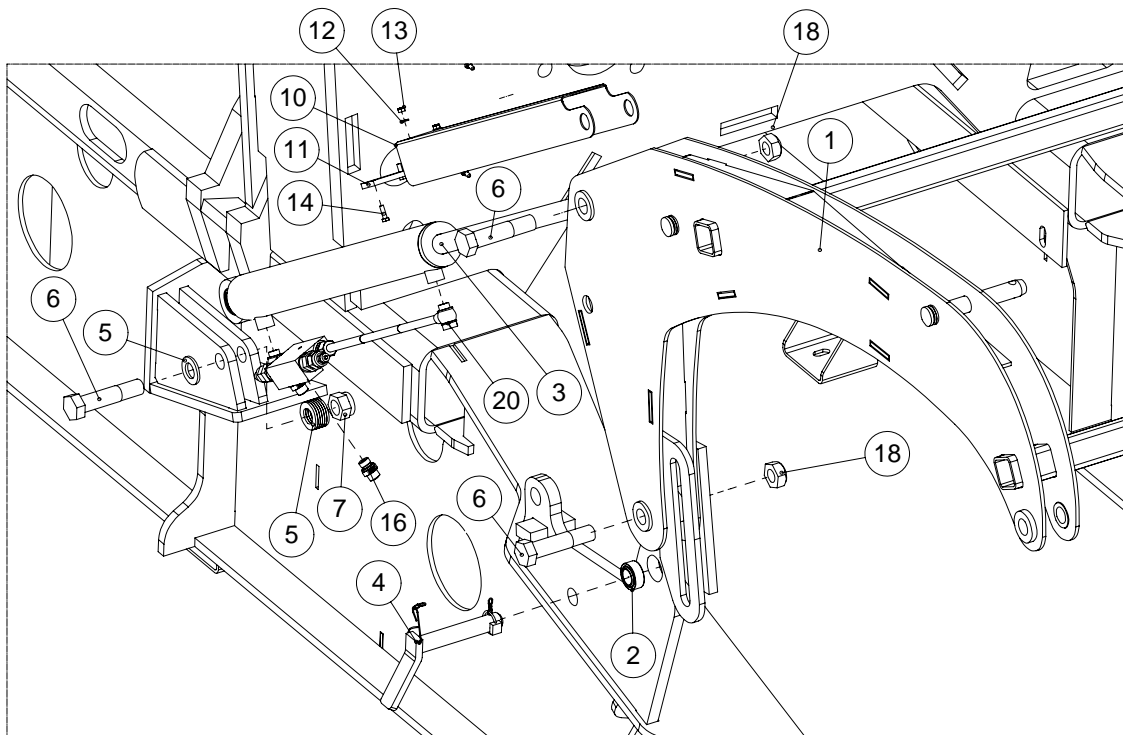
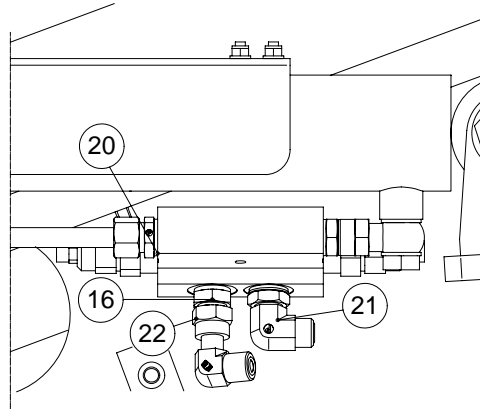


918378

**SN:**  
**Former:**  
**NOTE:**

**Stödkedja**  
**Chain**  
**918378**

| No | Part No. | Qty | Delens benämning | Size | Part name       |
|----|----------|-----|------------------|------|-----------------|
| 1  | 69A103   | 3   | Kopplingslänk    |      | Connecting link |
| 2  | 69A104   | 2   | Ankarschackel    |      | Shackle         |
| 3  | 916898   | 1   | Kedja            |      | Chain           |
| 4  | 916897   | 1   | Slang            |      | Hose            |
| 5  | 69A102   | 1   | Förkortningskrok |      | Hook            |



918727dD

**SN:**  
**Former:**  
**NOTE:****Montering av svängram**  
**Swinging frame assembly**  
**918727d**

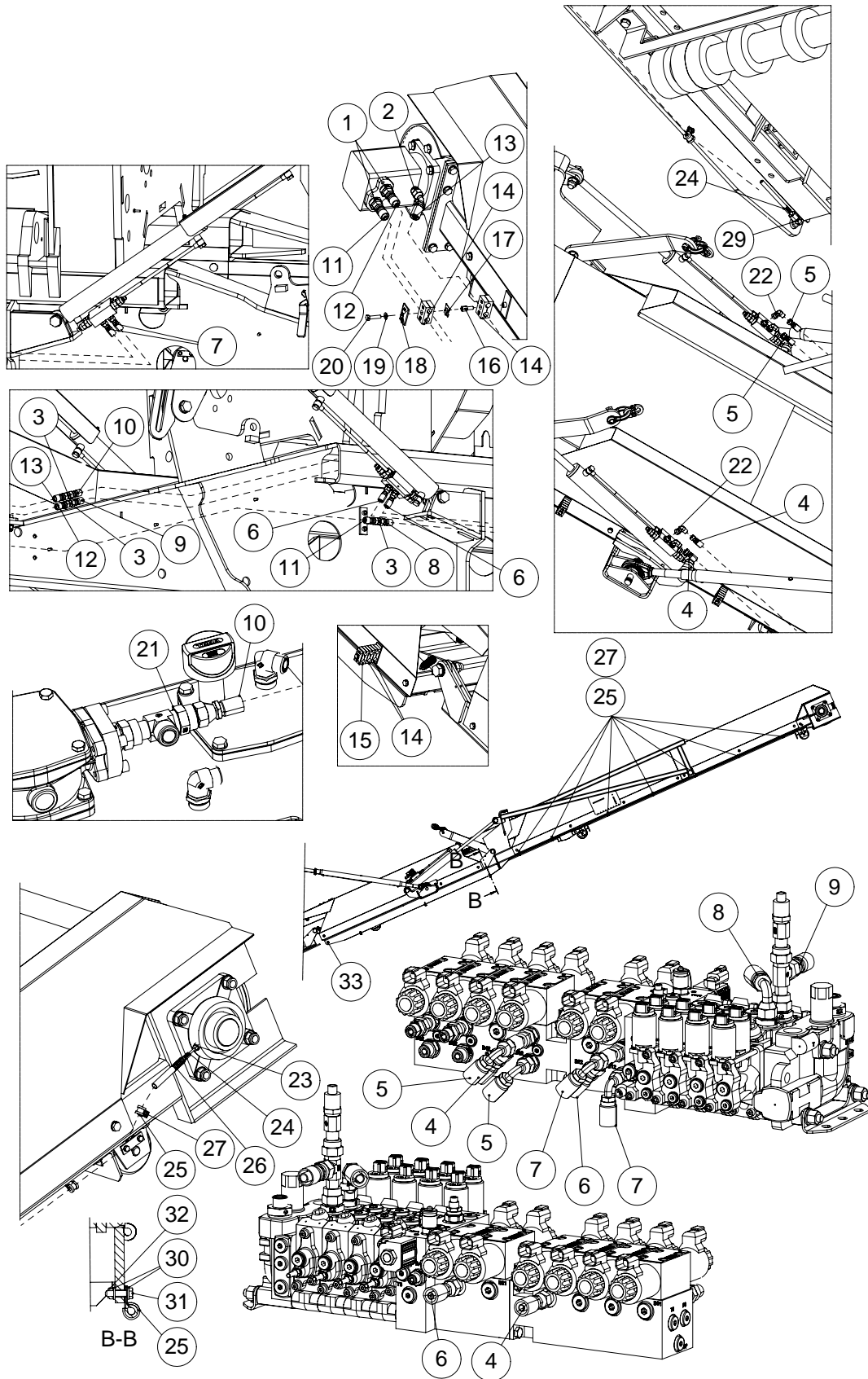
| No | Part No. | Qty | Delens benämning          | Size                | Part name                 |
|----|----------|-----|---------------------------|---------------------|---------------------------|
| 1  | 918723   | 1   | Svängradie för magnet     |                     | Swinging frame            |
| 2  | 201464   | 2   | Lager                     |                     | Bearing                   |
| 3  | 200028   | 2   | Hydraulcylinder           |                     | Hydraulic cylinder        |
| 4  | 200191   | 1   | Toppstångstapp med kedja  |                     | Pin & chain               |
| 5  | 46ADH8   | 18  | Bricka                    | M24 DIN 125 Zn      | Washer                    |
| 6  | 200507   | 6   | Justerskruv               | M24x110             | Fitting screw             |
| 7  | 45FI24   | 2   | Låsmutter, Nyloc          | M24 8 DIN985 Zn     | Lock nut                  |
| 10 | 919548   | 2   | Skyddsplåt                |                     | Plate                     |
| 11 | 919549   | 2   | Slitstycke                |                     | Wear piece                |
| 12 | 46ADD3   | 4   | Bricka                    | M6 DIN125 Zn        | Washer                    |
| 13 | 45FI06   | 4   | Låsmutter, Nyloc          | M6 8 DIN985 Zn      | Lock nut                  |
| 14 | 41BI35   | 4   | Sexkantskruv              | M6x20 8.8 DIN933 Zn | Hex bolt                  |
| 16 | 57OBI083 | 3   | Rak koppling              |                     | Fitting                   |
| 18 | 200287   | 4   | Metallåsmutter            |                     | Lock nut                  |
| 20 | 201460   | 2   | Dubbel lastsänkingsventil |                     | Double load control valve |
| 21 | 200179   | 1   | Vinkelkoppling            |                     | Elbow fitting             |
| 22 | 201085   | 1   | Vinkelskarv               |                     | Elbow fitting             |



**SN:**  
**Former:**  
**NOTE:**

**Hydraulcylinder**  
**Hydraulic cylinder**  
**200028b**

| No | Part No. | Qty | Delens benämning | Size             | Part name |
|----|----------|-----|------------------|------------------|-----------|
| 1  | 201464   | 2   | Lager            |                  | Bearing   |
| 2  | 40OI20   | 2   | Stoppskruv       | M6x8 10.9 DIN913 | Set screw |



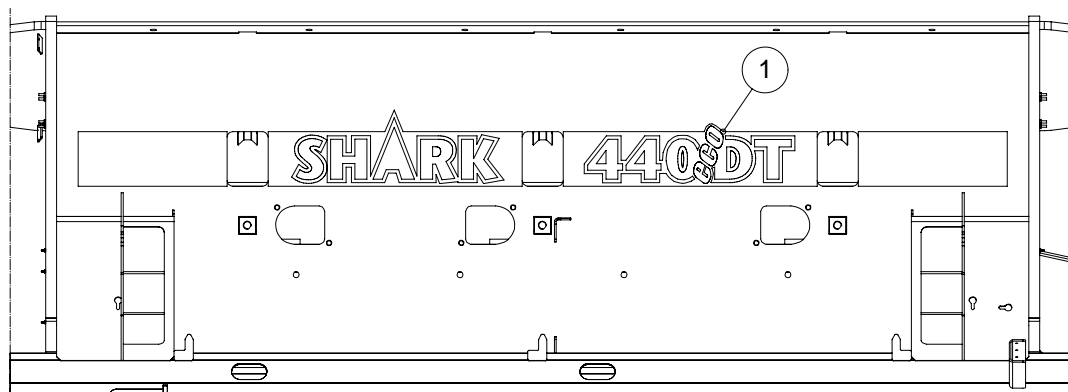
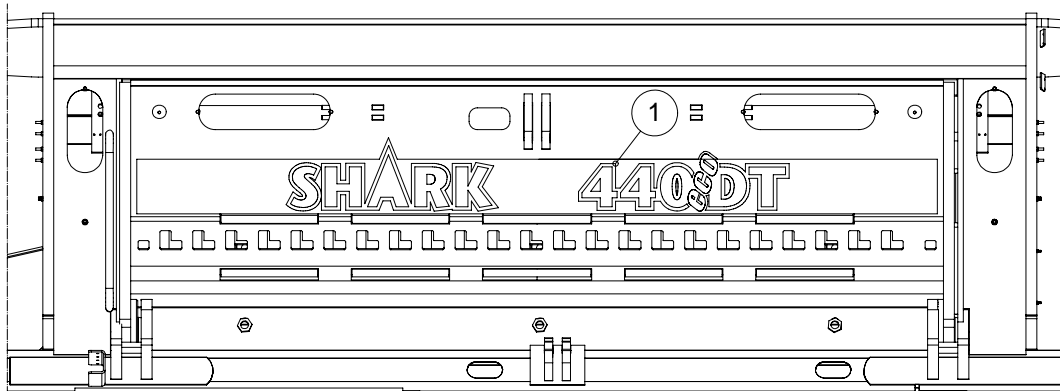


922774bB

**Slangar till transportör**  
**Conveyor hoses**  
**922774b**

**SN:**  
**Former:**  
**NOTE:**

| No | Part No.  | Qty | Delens benämning     | Size                | Part name        |
|----|-----------|-----|----------------------|---------------------|------------------|
| 1  | 57OBI124  | 2   | Rak koppling         |                     | Fitting          |
| 2  | 57OBI121  | 1   | Rak koppling         |                     | Fitting          |
| 3  | 57OOI121  | 3   | Förlängningskoppling |                     | Fitting          |
| 4  | 923818    | 2   | Slang                |                     | Hose             |
| 5  | 923819    | 2   | Slang                |                     | Hose             |
| 6  | 918428    | 2   | Slang                |                     | Hose             |
| 7  | 923817    | 2   | Slang                |                     | Hose             |
| 8  | 918418    | 1   | Slang                |                     | Hose             |
| 9  | 918415    | 1   | Slang                |                     | Hose             |
| 10 | 923820    | 1   | Slang                |                     | Hose             |
| 11 | 918417    | 1   | Slang                |                     | Hose             |
| 12 | 918416    | 1   | Slang                |                     | Hose             |
| 13 | 920161    | 1   | Slang                |                     | Hose             |
| 14 | 200661    | 16  | Rörklämma            |                     | Pipe clamp       |
| 15 | 200656    | 1   | Rörklämma            |                     | Pipe clamp       |
| 16 | 200648    | 9   | Skruv                | M8x20               | Screw            |
| 17 | 200647    | 9   | Låsplatta            |                     | Lock plate       |
| 18 | 200652    | 8   | Topplan              |                     | Pipe clamp plate |
| 19 | 46ADE4    | 8   | Bricka               | M8 DIN125 Zn        | Washer           |
| 20 | 41AJ77    | 8   | Sexkantskruv         | M8x35 8.8 DIN931 Zn | Hex bolt         |
| 21 | 57O253TRL | 1   | Reduceringskoppling  |                     | Reducer          |
| 22 | 201085    | 2   | Vinkelskarv          |                     | Elbow fitting    |
| 23 | 201918    | 1   | Rak koppling         |                     | Fitting          |
| 24 | 925716    | 1   | Slang                |                     | Hose             |
| 25 | 48D008    | 11  | Slangförband         |                     | Hose strap       |
| 26 | 71D004    | 1   | Kabelrör             |                     | Cable duct       |
| 27 | 201924    | 8   | Plåtskruv            |                     | Screw            |
| 29 | 201141    | 1   | Vinkelskarv          |                     | Elbow fitting    |
| 30 | 46ADD3    | 6   | Bricka               | M6 DIN125 Zn        | Washer           |
| 31 | 41BI37    | 3   | Sexkantskruv         | M6x25 8.8 DIN933 Zn | Hex bolt         |
| 32 | 45FI06    | 3   | Låsmutter, Nyloc     | M6 8 DIN985 Zn      | Lock nut         |
| 33 | 59D540    | 1   | Smörjnippel          |                     | Grease nipple    |

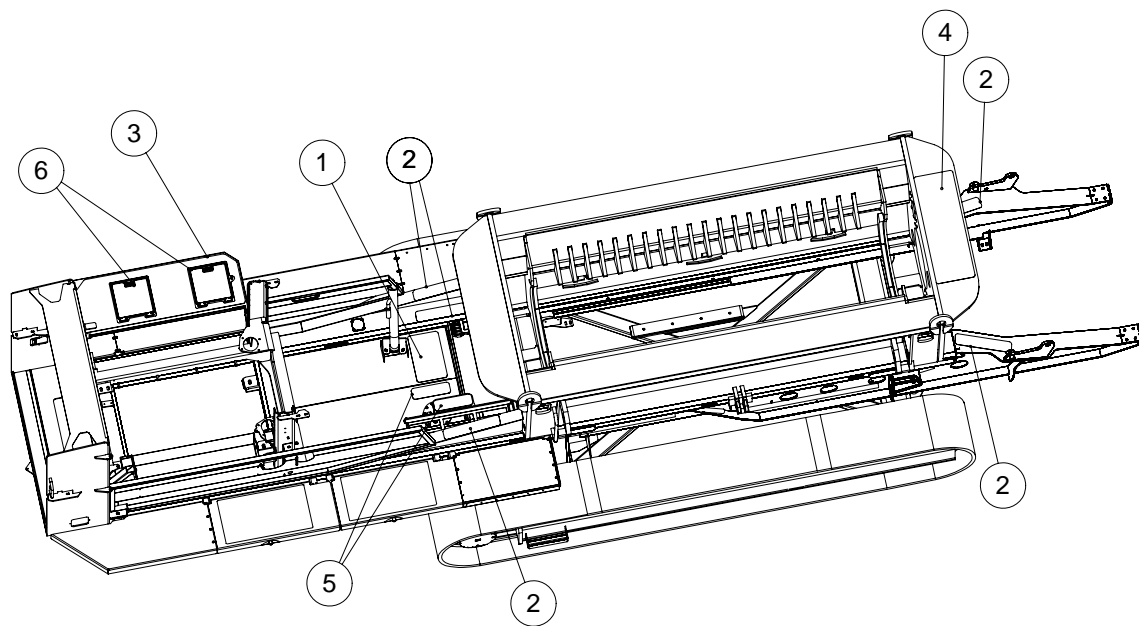


927036

**SN:**  
**Former:**  
**NOTE:**

**Modellmärkningar**  
**Model markings**  
**927036**

| No | Part No. | Qty | Delens benämning | Size | Part name |
|----|----------|-----|------------------|------|-----------|
| 1  | 927011   | 2   | Dekal            |      | Sticker   |

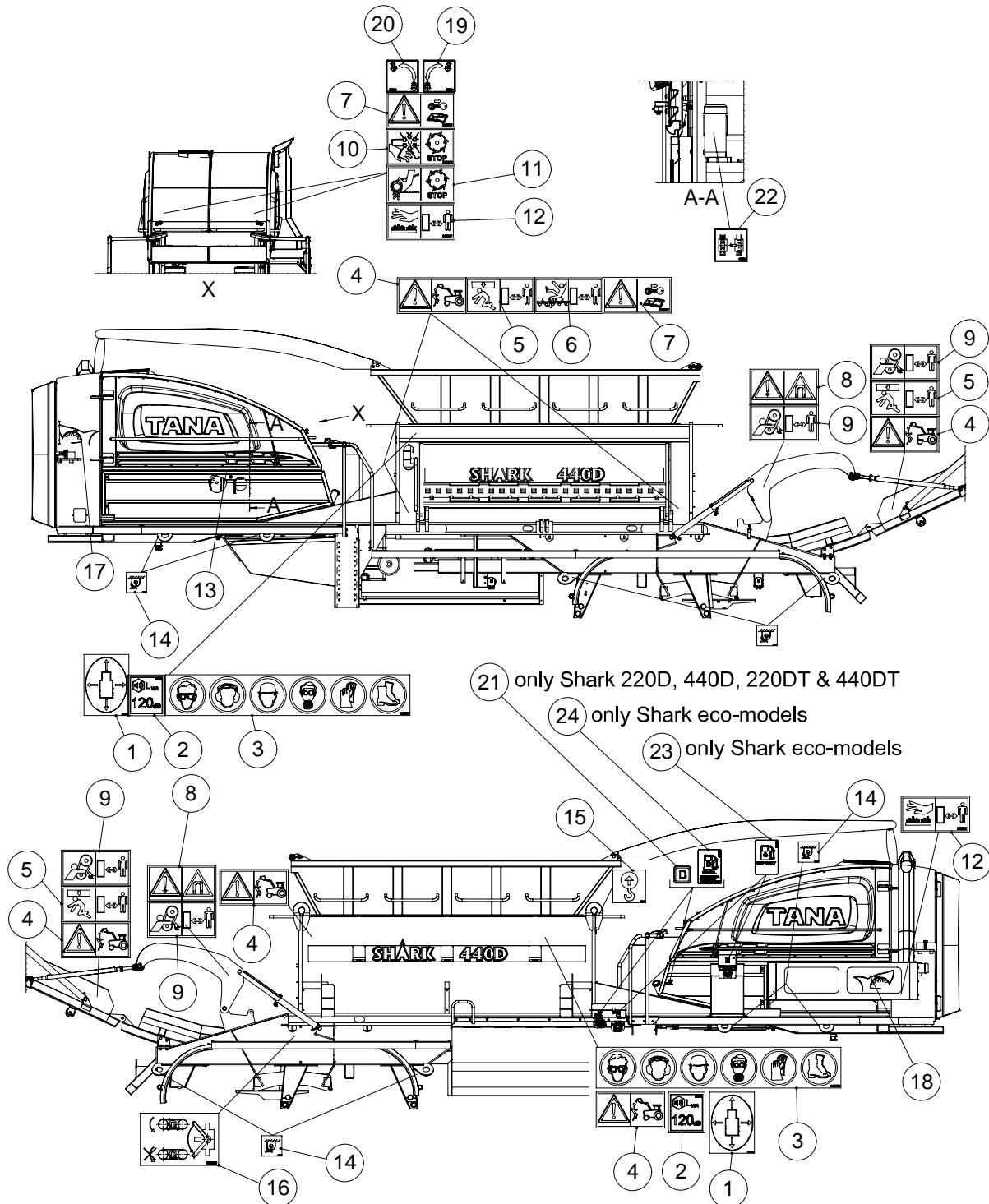


927037

**SN:**  
**Former:**  
**NOTE:**

**Antigliddekaler**  
**Non-slip stickers**  
**927037**

| No | Part No. | Qty | Delens benämning    | Size | Part name        |
|----|----------|-----|---------------------|------|------------------|
| 1  | 918761   | 1   | Dekal för halkskydd |      | Non-slip sticker |
| 2  | 918762   | 5   | Dekal för halkskydd |      | Non-slip sticker |
| 3  | 927038   | 1   | Antigliddekal       |      | Non-slip sticker |
| 4  | 918765   | 1   | Dekal för halkskydd |      | Non-slip sticker |
| 5  | 919107   | 2   | Dekal för halkskydd |      | Non-slip sticker |
| 6  | 928172   | 2   | Antigliddekal       |      | Non-slip sticker |

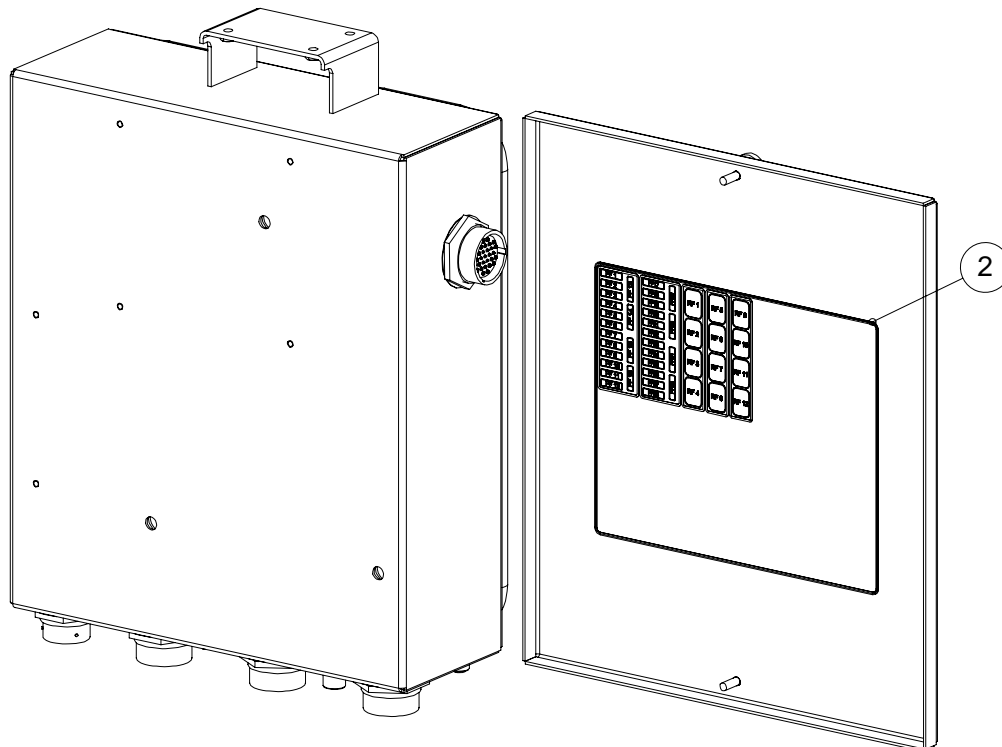
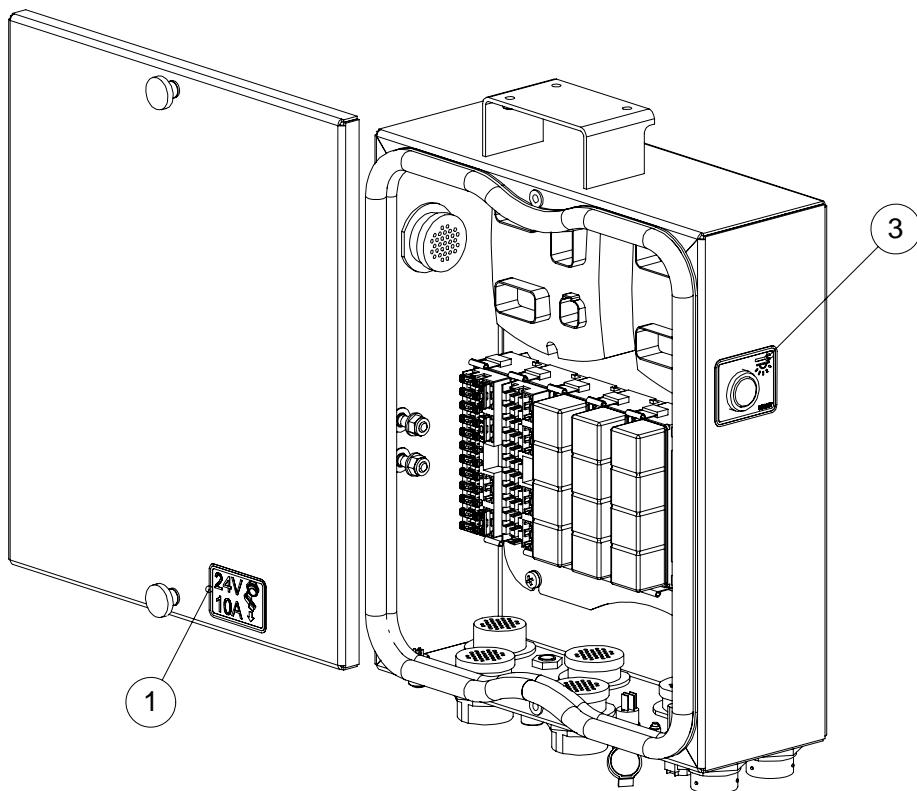


922781cC

**SN:**  
**Former:**  
**NOTE:****Anvisnings- och varningsmarkeringar**  
**Warning signs**  
**922781c**

| No | Part No. | Qty | Delens benämning                   | Size | Part name            |
|----|----------|-----|------------------------------------|------|----------------------|
| 1  | 918772   | 2   | Dekal - Riskområde                 |      | Sticker              |
| 2  | 924049   | 2   | Dekal                              |      | Sticker              |
| 3  | 918770   | 2   | Dekal - Skyddsutrustning           |      | Sticker              |
| 4  | 916289   | 6   | Dekal - Fallande gods              |      | Sticker              |
| 5  | 916282   | 4   | Dekal - Klämrisk                   |      | Sticker              |
| 6  | 916280   | 2   | Dekal - Risk att fastna med foten  |      | Sticker              |
| 7  | 916283   | 4   | Dekal - Service                    |      | Sticker              |
| 8  | 916276   | 2   | Dekal - Magnetiska fält            |      | Sticker              |
| 9  | 916281   | 4   | Dekal - Risk att fastna med handen |      | Sticker              |
| 10 | 916278   | 2   | Dekal - Risk för skärskador        |      | Sticker              |
| 11 | 916279   | 2   | Dekal - Risk att fastna            |      | Sticker              |
| 12 | 916277   | 3   | Dekal - Het yta                    |      | Sticker              |
| 13 | 928257   | 1   | Dekal - Huvudbrytare               |      | Sticker, main switch |
| 14 | 916941   | 8   | Dekal Bindningslänk                |      | Sticker              |
| 15 | 916942   | 4   | Dekal: Lyftlänk                    |      | Sticker              |
| 16 | 920596   | 1   | Dekal: Stopp av magnet             |      | Sticker              |
| 17 | 922778   | 1   | Dekal                              |      | Sticker              |
| 18 | 922785   | 1   | Dekal                              |      | Sticker              |
| 19 | 922787   | 1   | Dekal                              |      | Sticker              |
| 20 | 922792   | 1   | Dekal                              |      | Sticker              |
| 21 | 923924   | 1   | Dekal                              |      | Sticker              |
| 22 | 922237   | 1   | Dekal                              |      | Sticker              |
| 23 | 927027   | 1   | Dekal                              |      | Sticker              |
| 24 | 927028   | 1   | Dekal                              |      | Sticker              |

927039



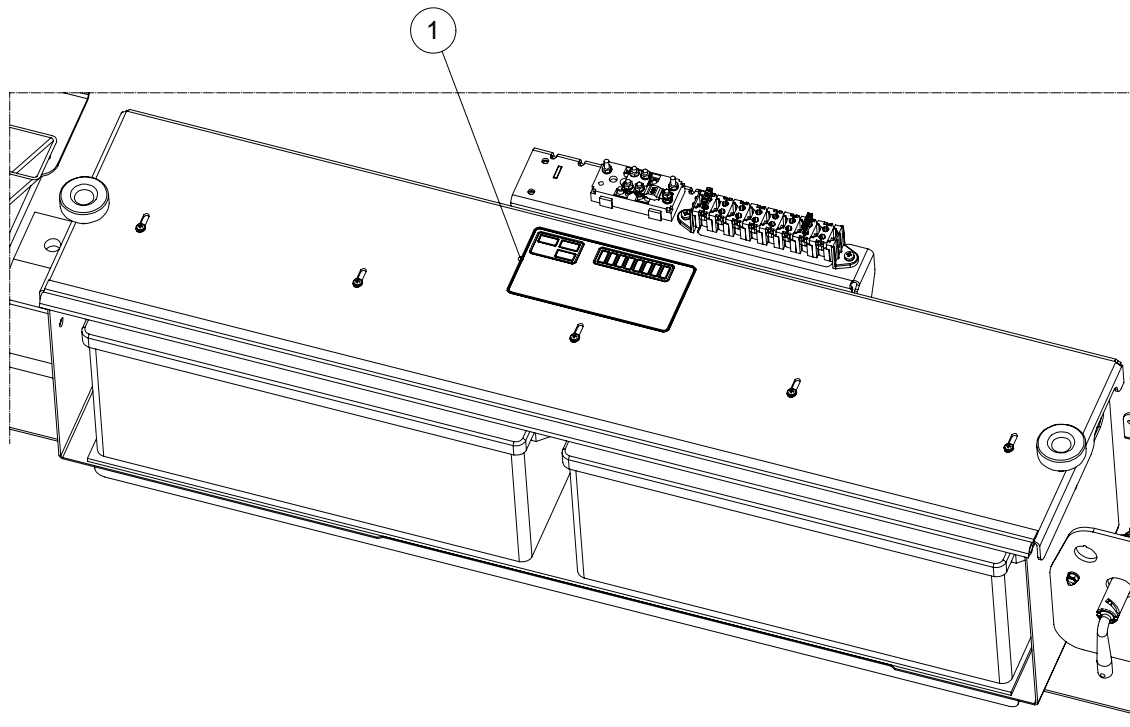


927039

**SN:**  
**Former:**  
**NOTE:**

**Anvisningsdekal**  
**Sticker set**  
**927039**

| No | Part No. | Qty | Delens benämning | Size | Part name    |
|----|----------|-----|------------------|------|--------------|
| 1  | 923895   | 1   | Dekal, 24V       |      | Sticker, 24V |
| 2  | 927155   | 1   | Dekal            |      | Sticker      |
| 3  | 926507   | 1   | Dekal            |      | Sticker      |

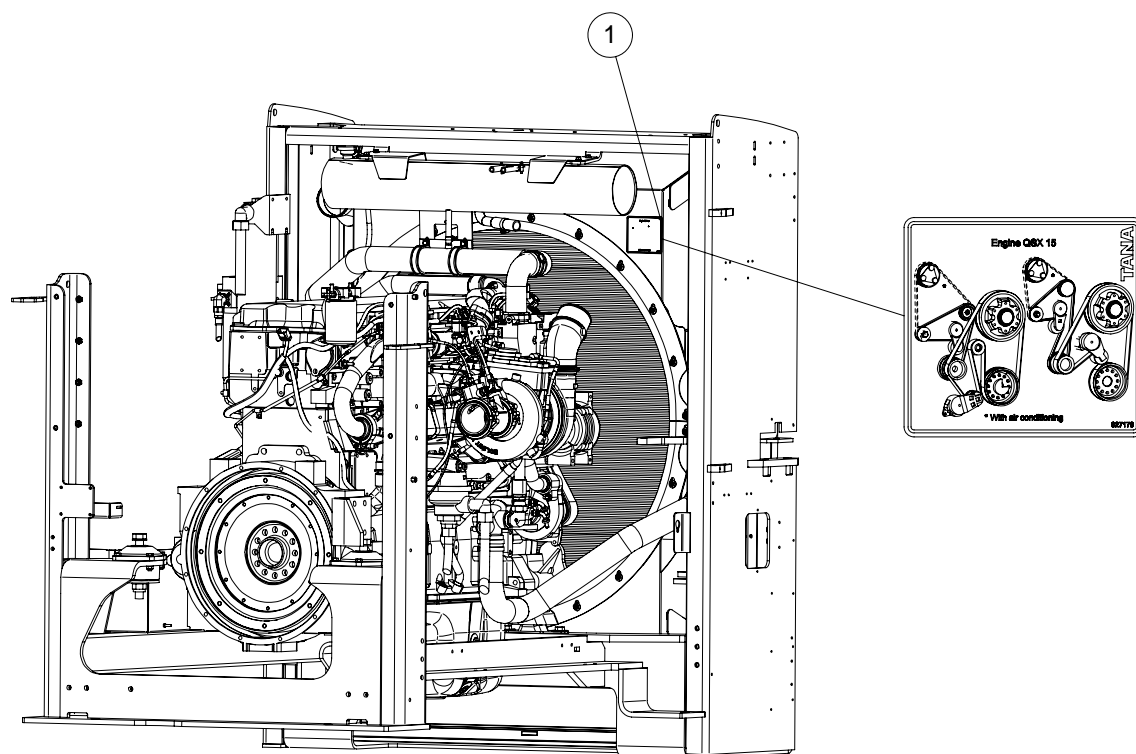


927164

**SN:**  
**Former:**  
**NOTE:**

**Anvisningsdekal:**  
**Sticker**  
**927164**

| No | Part No. | Qty | Delens benämning | Size | Part name |
|----|----------|-----|------------------|------|-----------|
| 1  | 927165   | 1   | Anvisningsdekal  |      | Sticker   |



927173

**SN:**  
**Former:**  
**NOTE:**

**Anvisningsdekal**  
**Sticker**  
**927173**

| No | Part No. | Qty | Delens benämning | Size | Part name |
|----|----------|-----|------------------|------|-----------|
| 1  | 927179   | 1   | Anvisningsdekal  |      | Sticker   |

NO PICTURE AVAILABLE

921517

**SN:**  
**Former:**  
**NOTE:**

**Skärsats till rotor**  
**Rotor knives set**  
**921517**

| No | Part No. | Qty | Delens benämning | Size            | Part name        |
|----|----------|-----|------------------|-----------------|------------------|
| 1  | 920138   | 33  | Rotorskär        |                 | Rotor knife      |
| 2  | 920433   | 33  | Monterkräv       |                 | Bolt             |
| 3  | 46T124   | 33  | Nordlock-läs     | M24             | Nord-Lock washer |
| 4  | 45AH24   | 33  | Sexkantmutter    | M24 12.9 DIN934 | Hex nut          |

NO PICTURE AVAILABLE



921518

**SN:**  
**Former:**  
**NOTE:**

**Motskärssats**  
**Counter knives set**  
**921518**

| No | Part No. | Qty | Delens benämning | Size | Part name         |
|----|----------|-----|------------------|------|-------------------|
| 1  | 918270   | 21  | Spetsiskär       |      | Arrow knife       |
| 2  | 918663   | 2   | Halvskär         |      | Half knife        |
| 3  | 917098   | 23  | Låsstycke        |      | Locking component |

NO PICTURE AVAILABLE

921519

**SN:**  
**Former:**  
**NOTE:**

**Halvskärssats**  
**Half knives set**  
**921519**

| No | Part No. | Qty | Delens benämning | Size | Part name         |
|----|----------|-----|------------------|------|-------------------|
| 1  | 918663   | 11  | Halvskär         |      | Half knife        |
| 2  | 917098   | 11  | Låsstycke        |      | Locking component |

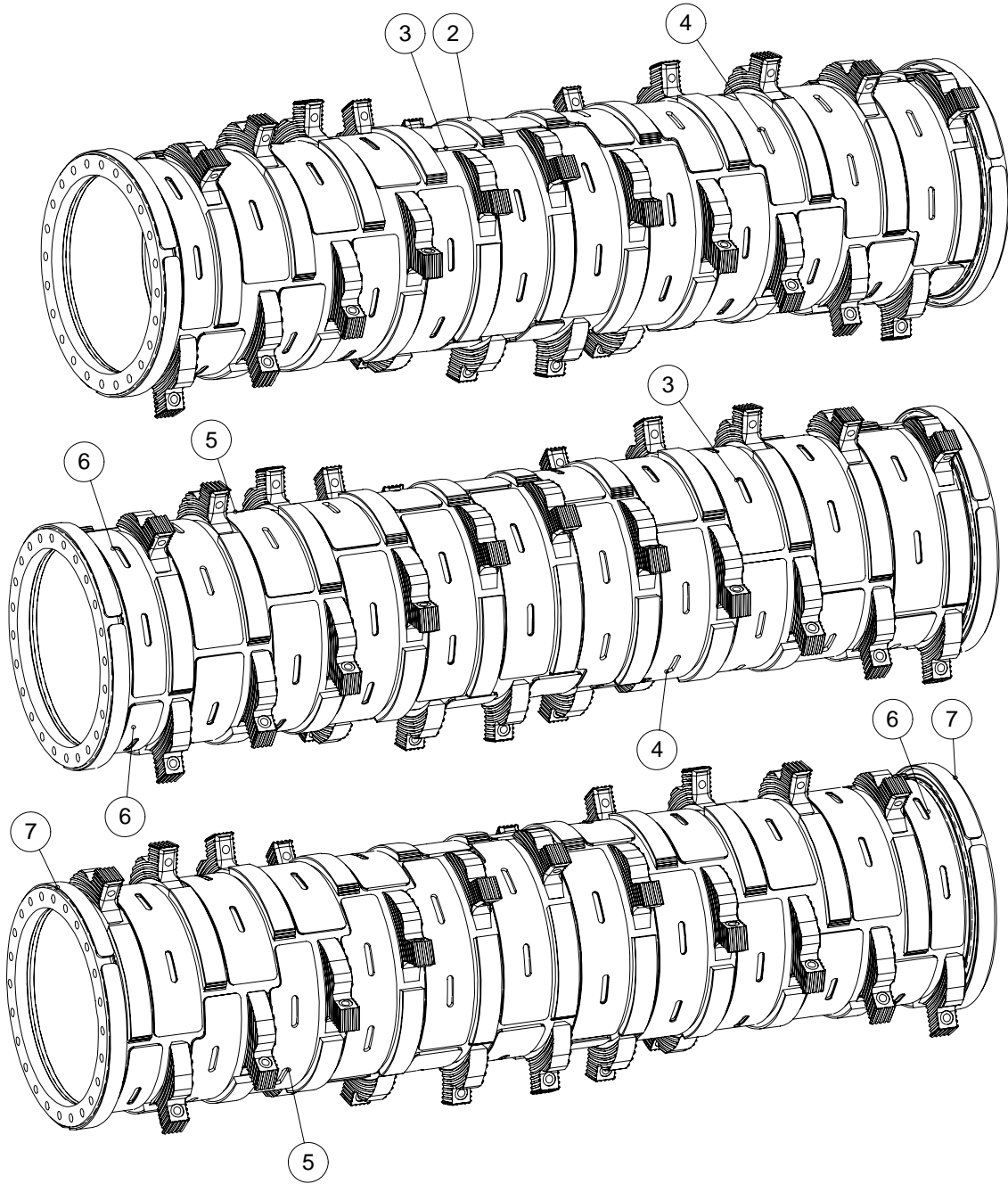
**NO PICTURE AVAILABLE**

921520

**SN:**  
**Former:**  
**NOTE:**

**Tryckplatssats**  
**Rotor knife bracket -set**  
**921520**

| No | Part No. | Qty | Delens benämning | Size | Part name           |
|----|----------|-----|------------------|------|---------------------|
| 1  | 920139   | 33  | Tryckplatta      |      | Rotor knife bracket |



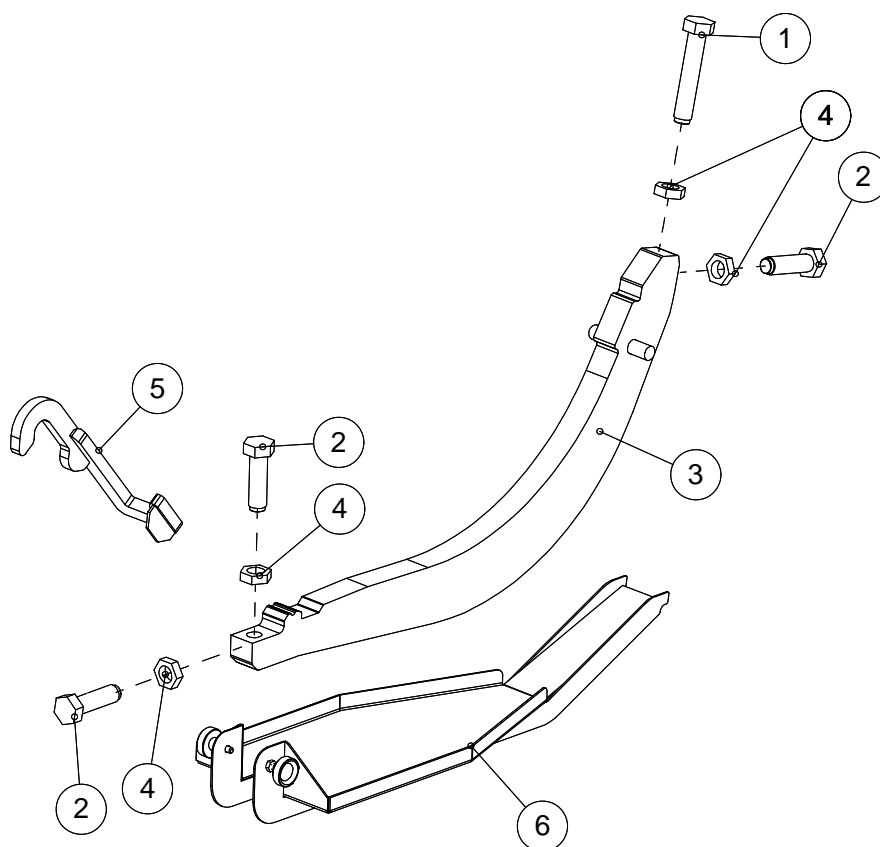
928941aA

**SN:**  
**Former:**  
**NOTE:**

**Slitplattor till rotor**  
**Rotor wearing plates**  
**928941a**

| No | Part No. | Qty | Delens benämning | Size | Part name     |
|----|----------|-----|------------------|------|---------------|
| 2  | 928935   | 33  | Slitstycke       |      | Wearing piece |
| 3  | 928942   | 20  | Slitplåt         |      | Wearing plate |
| 4  | 928944   | 5   | Slitplåt         |      | Wearing plate |
| 5  | 928943   | 5   | Slitplåt         |      | Wearing plate |
| 6  | 928945   | 3   | Slitplåt         |      | Wearing plate |
| 7  | 928946   | 6   | Slitplåt         |      | Wearing plate |

918705bB



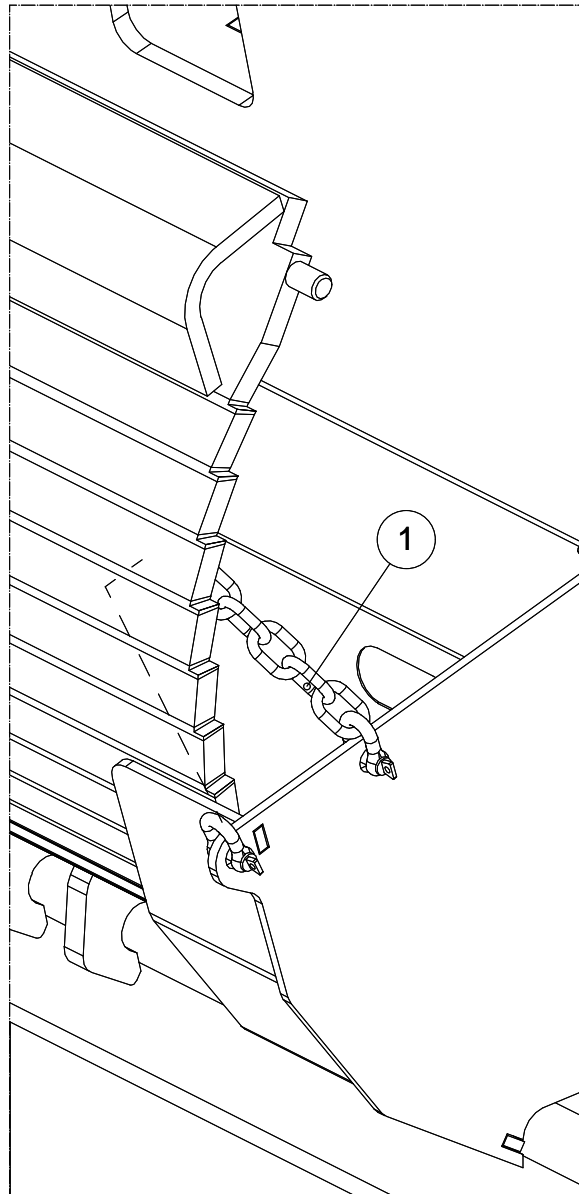


918705bB

**SN:**  
**Former:**  
**NOTE:**

**Montering av sikt och siktbågar**  
**Sieve and sieve arch assembly**  
**918705b**

| No | Part No. | Qty | Delens benämning                       | Size | Part name                    |
|----|----------|-----|--|------|------------------------------|
| 1  | 916922   | 3   | Justerbult                             |      | Adjusting bolt               |
| 2  | 916924   | 9   | Justerbult                             |      | Adjusting bolt               |
| 3  | 918708   | 3   | Siktbåge                               |      | Sieve arch                   |
| 4  | 45NM30   | 12  | Låg sexkantsmutter                     | M30  | Hex nut                      |
| 5  | 918319   | 1   | Monterings- och<br>demonteringsverktyg |      | Sieve installation tool      |
| 6  | 918743   | 1   | Monteringsskena                        |      | Sieve arch installation tool |



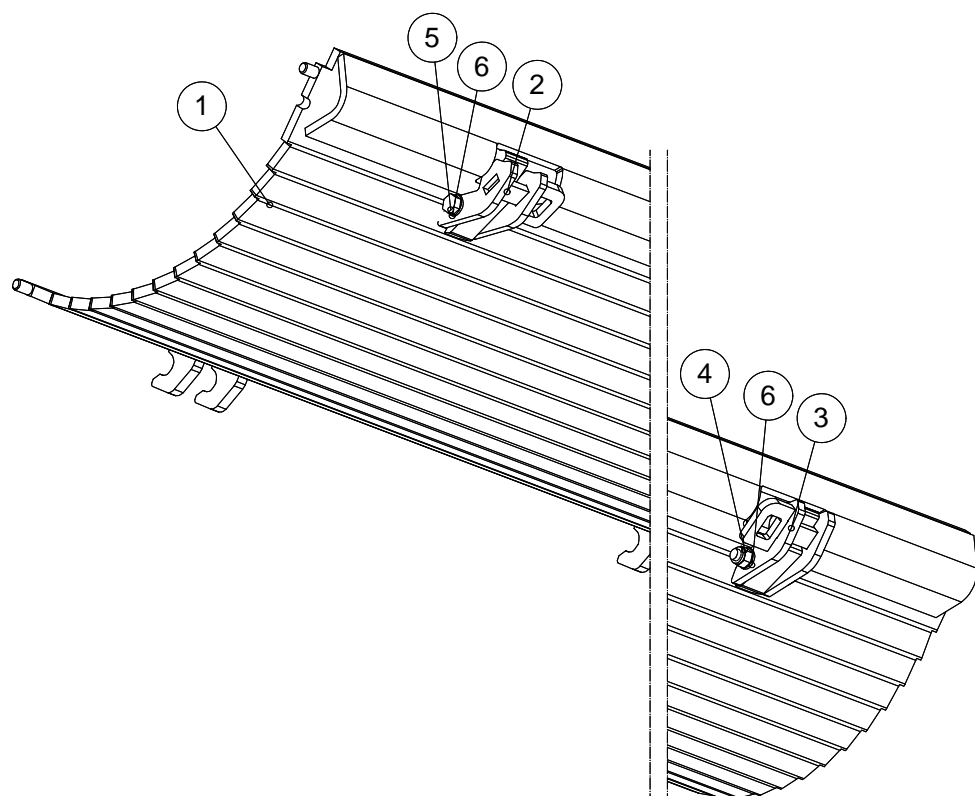
918503

**SN:**  
**Former:**  
**NOTE:**

**Låsning av sikt i transportställningen**  
**Sieve locking (to transport position)**

**918503**

| No | Part No. | Qty | Delens benämning  | Size | Part name |
|----|----------|-----|-------------------|------|-----------|
| 1  | 918504   | 2   | Låskedja för sikt |      | Chain     |



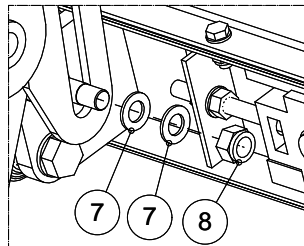
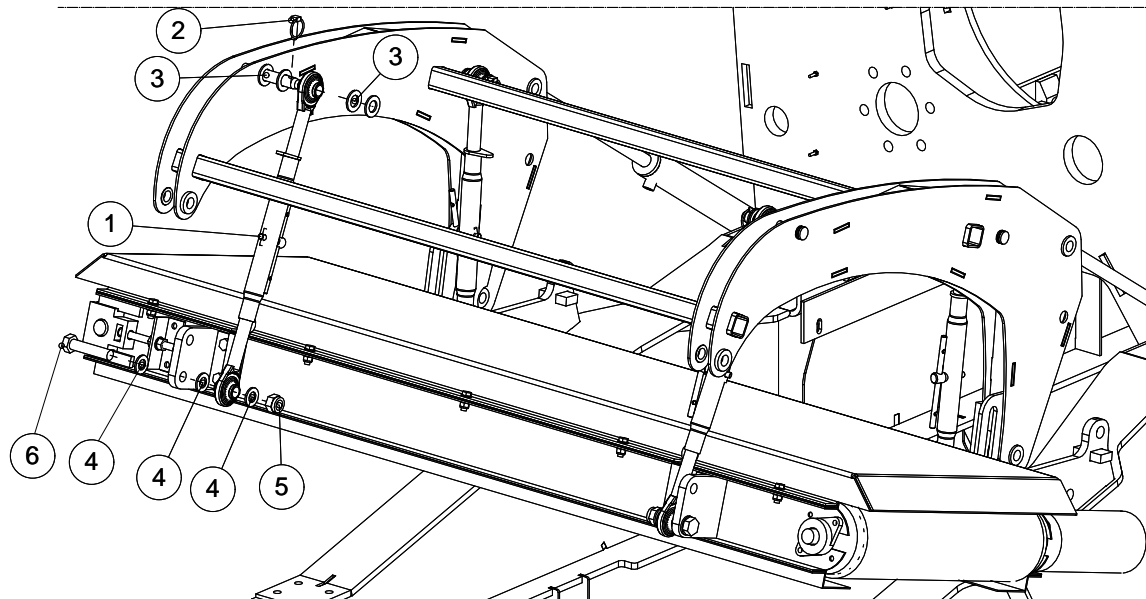
918709

**SN:**  
**Former:**  
**NOTE:**

**Sikt**  
**Sieve**  
**918709**

| No | Part No. | Qty | Delens benämning | Size             | Part name |
|----|----------|-----|------------------|------------------|-----------|
| 1  | 918710   | 1   | Sikt             |                  | Sieve     |
| 2  | 918303   | 1   | Lås              |                  | Lock      |
| 3  | 918306   | 1   | Lås              |                  | Lock      |
| 4  | 45F120   | 2   | Låsmutter, Nyloc | M20 8 DIN985 Zn  | Lock nut  |
| 5  | 200233   | 2   | Sexkantskruv     | M20x120          | Hex bolt  |
| 6  | 46RBG9   | 4   | HV-bricka        | D21/D37 DIN 6916 | HV-washer |

918750aA

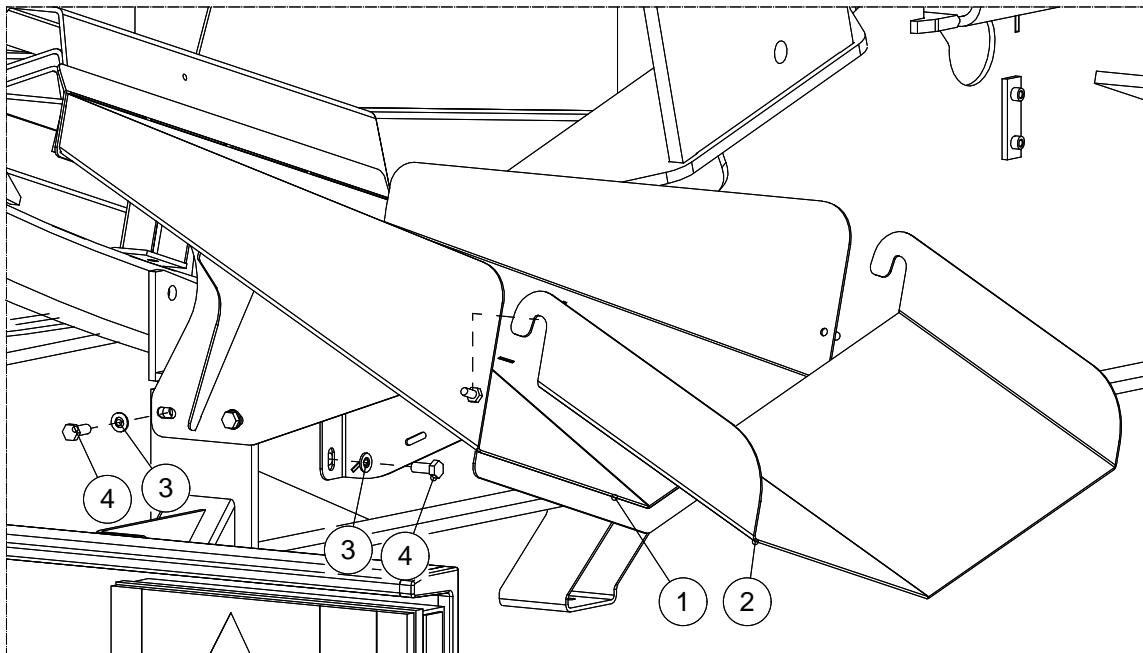


918750aA

**SN:**  
**Former:**  
**NOTE:**

**Montering av magnettransportör**  
**Magnet conveyer assembly**  
**918750a**

| No | Part No. | Qty | Delens benämning | Size               | Part name |
|----|----------|-----|------------------|--------------------|-----------|
| 1  | 200055   | 4   | Toppstång        |                    | Arm       |
| 2  | 47E055   | 4   | Ringsprint       |                    | Pin       |
| 3  | 200062   | 16  | Bricka           | M27 DIN125         | Washer    |
| 4  | 46ADH8   | 12  | Bricka           | M24 DIN 125 Zn     | Washer    |
| 5  | 45FI24   | 4   | Låsmutter, Nyloc | M24 8 DIN985 Zn    | Lock nut  |
| 6  | 40A090   | 4   | Sexkantskruv     | M24x110 8.8 DIN931 | Hex bolt  |
| 7  | 46ADH6   | 4   | Bricka           | M20 DIN 125 Zn     | Washer    |
| 8  | 45FI20   | 2   | Låsmutter, Nyloc | M20 8 DIN985 Zn    | Lock nut  |



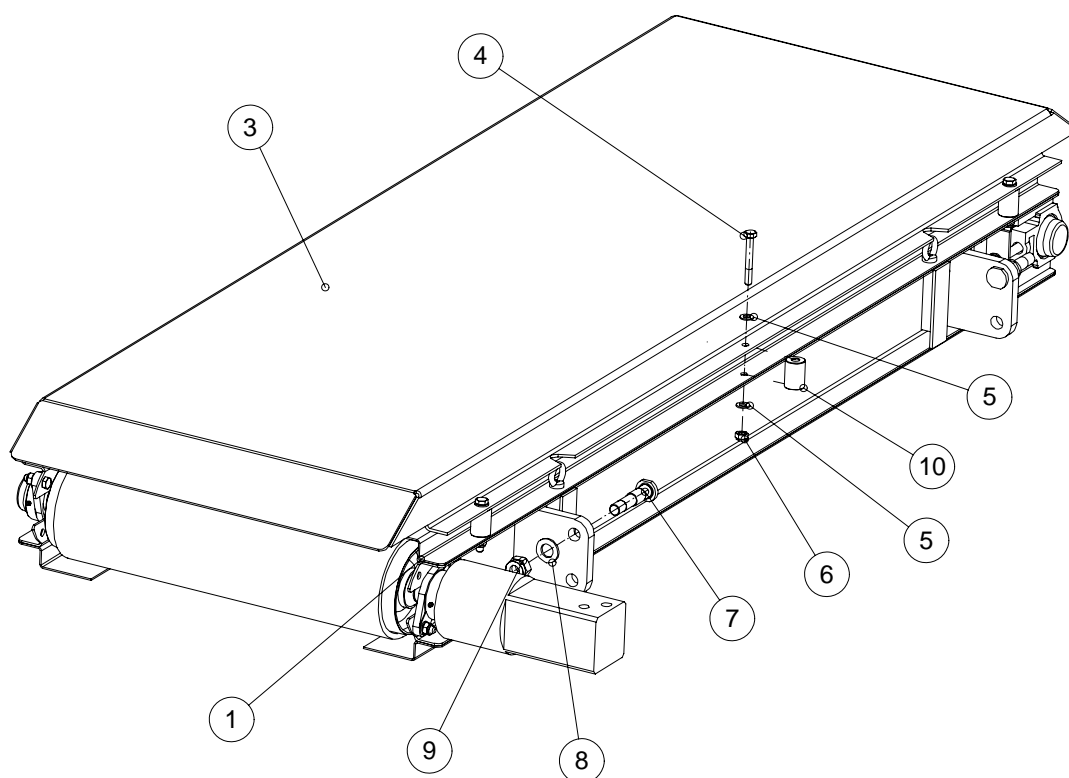


917856bB

**SN:**  
**Former:**  
**NOTE:**

**Montering av lossningsränna**  
**Discharge launder**  
**917856b**

| No | Part No. | Qty | Delens benämning                | Size                 | Part name                   |
|----|----------|-----|---------------------------------|----------------------|-----------------------------|
| 1  | 919773   | 1   | Lossningsränna                  |                      | Discharge launder           |
| 2  | 919772   | 1   | Förlängning till lossningsränna |                      | Discharge launder extension |
| 3  | 46ADF7   | 4   | Bricka                          | M12 DIN125 Zn        | Washer                      |
| 4  | 41BM47   | 4   | Sexkantskruv                    | M12x30 8.8 DIN933 Zn | Hex bolt                    |

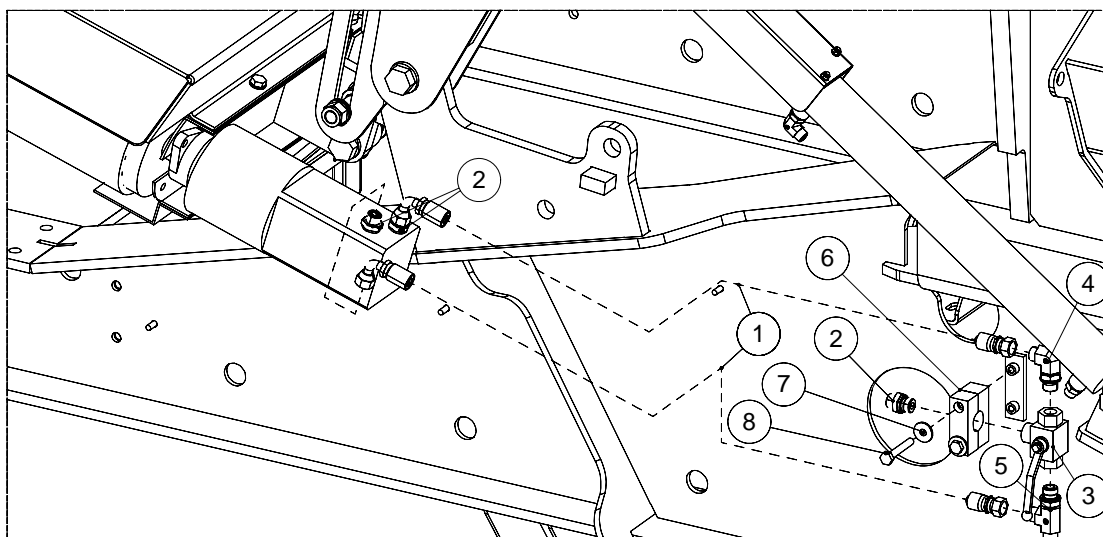


918747bB

**SN:**  
**Former:**  
**NOTE:**

**Magnettransportör**  
**Magnet conveyor**  
**918747b**

| No | Part No. | Qty | Delens benämning  | Size                 | Part name                  |
|----|----------|-----|-------------------|----------------------|----------------------------|
| 1  | 200360   | 1   | Magnettransportör |                      | Cross belt overband magnet |
| 3  | 918748   | 1   | Skyddslock        |                      | Cover plate                |
| 4  | 41AM61   | 6   | Insexskruv        | M12x90 8.8 DIN931 Zn | Hex bolt                   |
| 5  | 46ADF7   | 12  | Bricka            | M12 DIN125 Zn        | Washer                     |
| 6  | 45FI12   | 6   | Låsmutter, Nyloc  | M12 8 DIN985 Zn      | Lock nut                   |
| 7  | 919266   | 2   | Styrtapp          |                      | Pin                        |
| 8  | 46ADH8   | 2   | Bricka            | M24 DIN 125 Zn       | Washer                     |
| 9  | 45FI24   | 2   | Låsmutter, Nyloc  | M24 8 DIN985 Zn      | Lock nut                   |
| 10 | 928872   | 6   | Bussning          |                      | Bushing                    |



918431bB

**SN:**  
**Former:**  
**NOTE:**

**Slangförling i magnettransportör  
Magnet conveyor hoses  
918431b**

| No | Part No. | Qty | Delens benämning     | Size                 | Part name       |
|----|----------|-----|----------------------|----------------------|-----------------|
| 1  | 918432   | 2   | Slang                |                      | Hose            |
| 2  | 57OBI123 | 3   | Rak koppling         |                      | Fitting         |
| 3  | 57B748   | 1   | 3-vägsventil         |                      | Three-way valve |
| 4  | 57OBL123 | 1   | Vinkelkoppling       |                      | Elbow fitting   |
| 5  | 200779   | 1   | Justerbar L-koppling |                      | Fitting         |
| 6  | 200671   | 1   | Rörfäste             |                      | Pipe clamp      |
| 7  | 46EDG3   | 2   | Karosseribricka      | M10x28 DIN6340 Zn    | Washer          |
| 8  | 41AL20   | 2   | Sexkantskruv         | M10x65 8.8 DIN931 Zn | Hex bolt        |

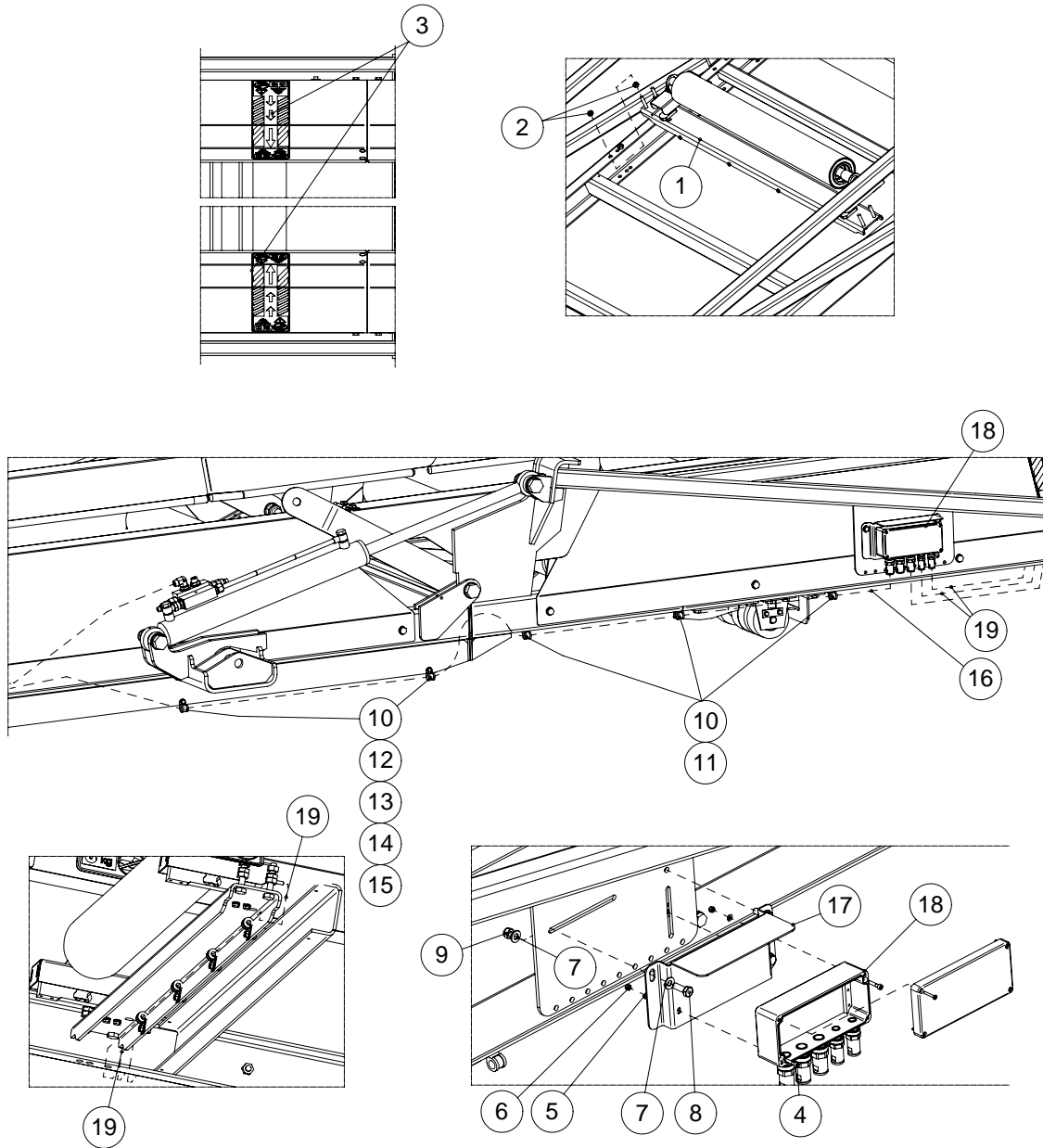
NO PICTURE AVAILABLE

927338

**SN:**  
**Former:**  
**NOTE:**

**Oljebeständigt transportband**  
**Oil resistant conveyor belt**  
**927338**

| No | Part No. | Qty | Delens benämning | Size | Part name     |
|----|----------|-----|------------------|------|---------------|
| 1  | 202319   | 1   | Transportband    |      | Conveyor belt |

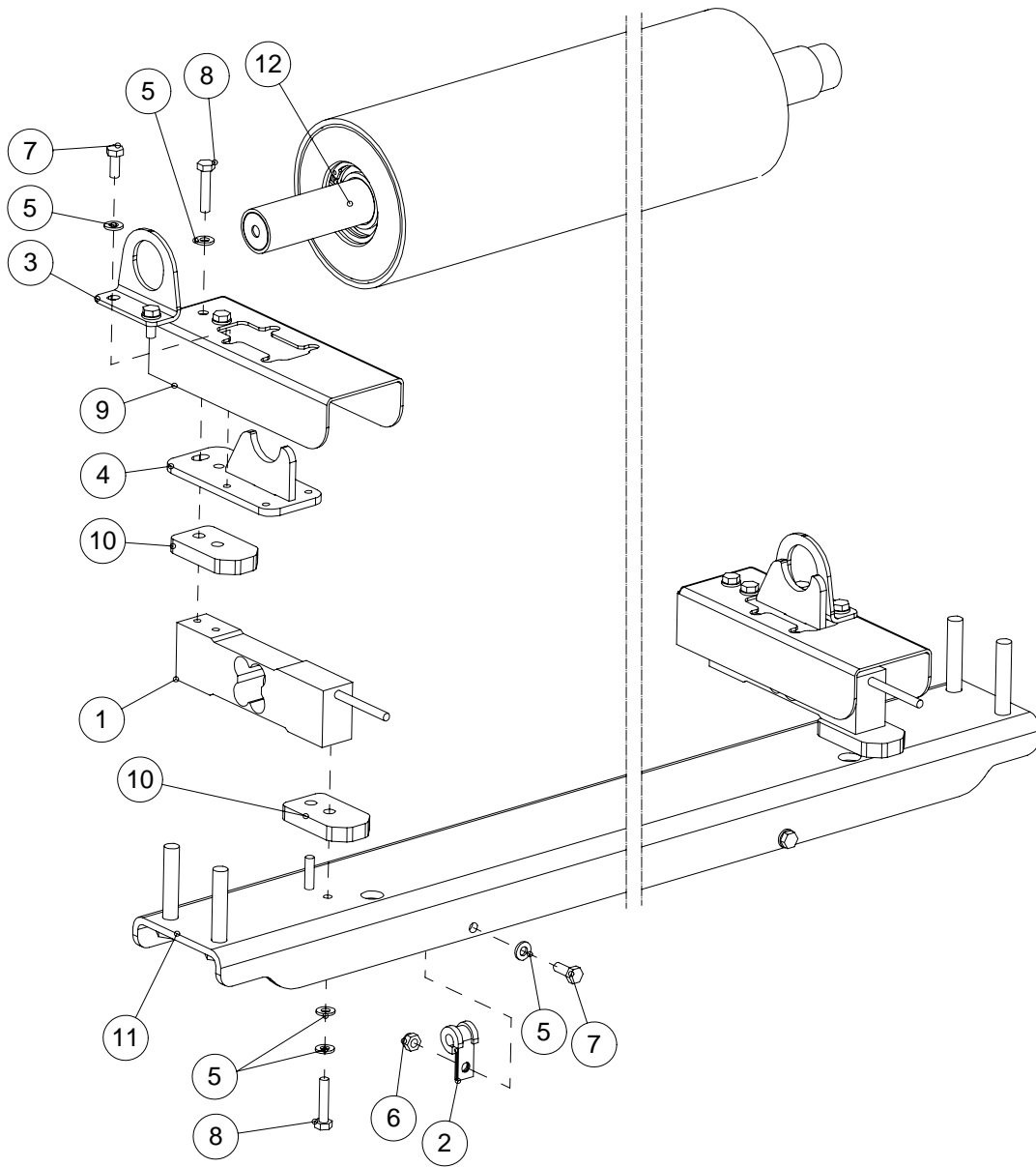




927307

**SN:**  
**Former:**  
**NOTE:****Transportvåg**  
**Conveyor scale**  
**927307**

| No | Part No. | Qty | Delens benämning | Size                | Part name      |
|----|----------|-----|------------------|---------------------|----------------|
| 1  | 920716   | 1   | Våg              |                     | Balance        |
| 2  | 45AA10   | 8   | Sexkantmutter    | M10 8 DIN934        | Hex nut        |
| 3  | 927464   | 2   | Dekal            |                     | Sticker        |
| 4  | 201574   | 2   | Insexskruv       | M4x20 8.8 DIN912    | Allen screw    |
| 5  | 46ADC3   | 2   | Bricka           | M4 DIN 125 Zn       | Washer         |
| 6  | 45FI04   | 2   | Låsmutter, Nyloc | M4 8 DIN985 Zn      | Lock nut       |
| 7  | 46ADE4   | 6   | Bricka           | M8 DIN125 Zn        | Washer         |
| 8  | 41BJ73   | 3   | Sexkantskruv     | M8x25 8.8 DIN933 Zn | Hex bolt       |
| 9  | 45AI08   | 3   | Sexkantmutter    | M8 8 DIN934 Zn      | Hex nut        |
| 10 | 48D013   | 5   | Slangband        |                     | Hose strap     |
| 11 | 201924   | 3   | Plåtskruv        |                     | Screw          |
| 12 | 46ADD3   | 2   | Bricka           | M6 DIN125 Zn        | Washer         |
| 13 | 46EDF1   | 2   | Karosseribricka  | M6x18 DIN9021 Zn    | Washer         |
| 14 | 41BI37   | 2   | Sexkantskruv     | M6x25 8.8 DIN933 Zn | Hex bolt       |
| 15 | 45FI06   | 2   | Låsmutter, Nyloc | M6 8 DIN985 Zn      | Lock nut       |
| 16 | 927713   | 1   | Ledningssats     |                     | Wiring harness |
| 17 | 927548   | 1   | Fästplatta       |                     | Fixing plate   |
| 18 | 202340   | 1   | Styrenhet        |                     | Control unit   |
| 19 | 71D002   | 2   | Kabelrör         |                     | Cable duct     |

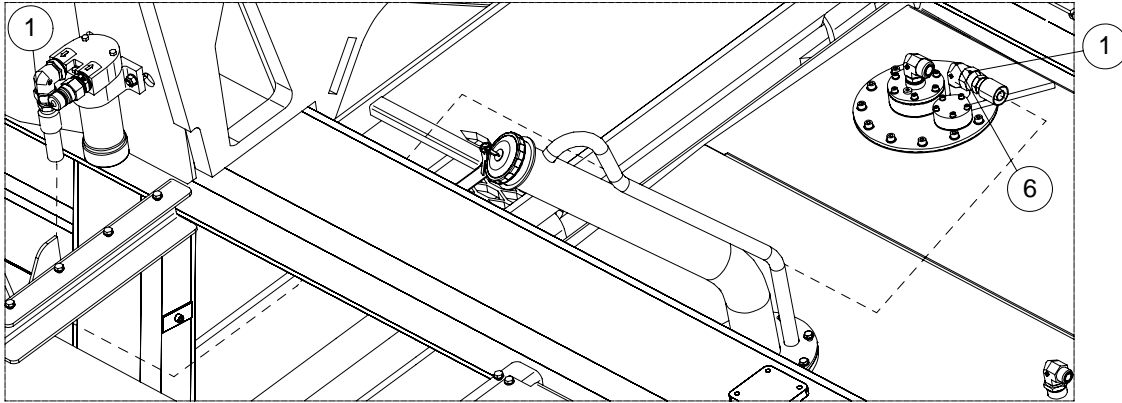


920716aA

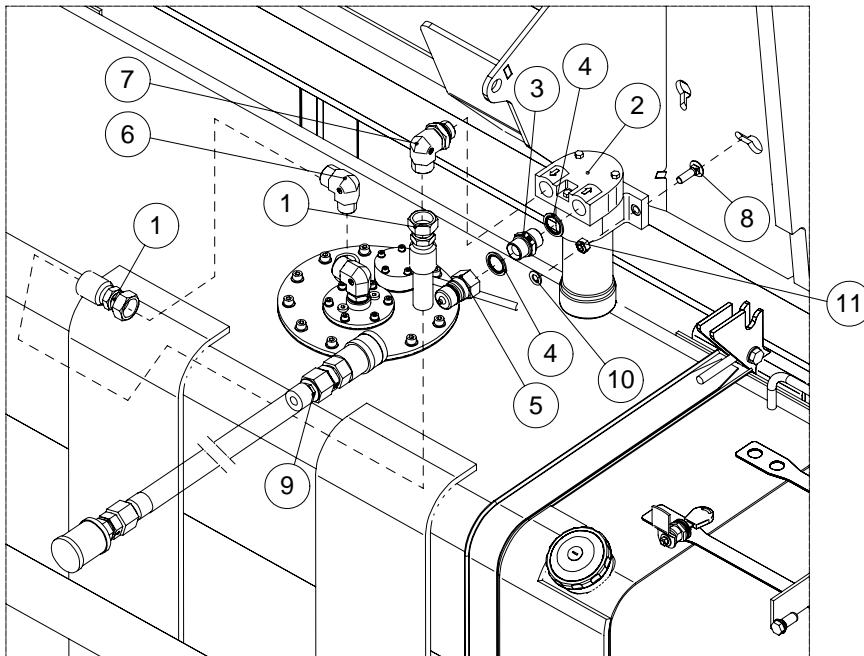
**SN:**  
**Former:**  
**NOTE:**

**Våg**  
**Balance**  
**920716a**

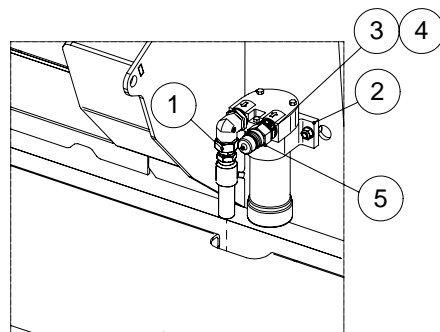
| No | Part No. | Qty | Delens benämning | Size                 | Part name    |
|----|----------|-----|------------------|----------------------|--------------|
| 1  | 200857   | 2   | Givare           |                      | Sensor       |
| 2  | 48D008   | 4   | Slangförband     |                      | Hose strap   |
| 3  | 920808   | 2   | Fästplatta       |                      | Fixing plate |
| 4  | 920811   | 2   | Fästplatta       |                      | Fixing plate |
| 5  | 46ADD3   | 20  | Bricka           | M6 DIN125 Zn         | Washer       |
| 6  | 45FI06   | 4   | Låsmutter, Nyloc | M6 8 DIN985 Zn       | Lock nut     |
| 7  | 41BI32   | 8   | Sexkantskruv     | M6x16 8.8 DIN933 Zn  | Hex bolt     |
| 8  | 200859   | 8   | Insexskruv       | M6x30 10.9 DIN931 Zn | Hex bolt     |
| 9  | 920810   | 2   | Skyddsplåt       |                      | Plate        |
| 10 | 920807   | 4   | Distanskloss     |                      | Spacer       |
| 11 | 920814   | 1   | Stödbalk         |                      | Beam         |
| 12 | 920764   | 1   | Stålrulle        |                      | Steel roll   |



Shark 220DTeco & 440DTeco



Shark 220Deco & 440Deco



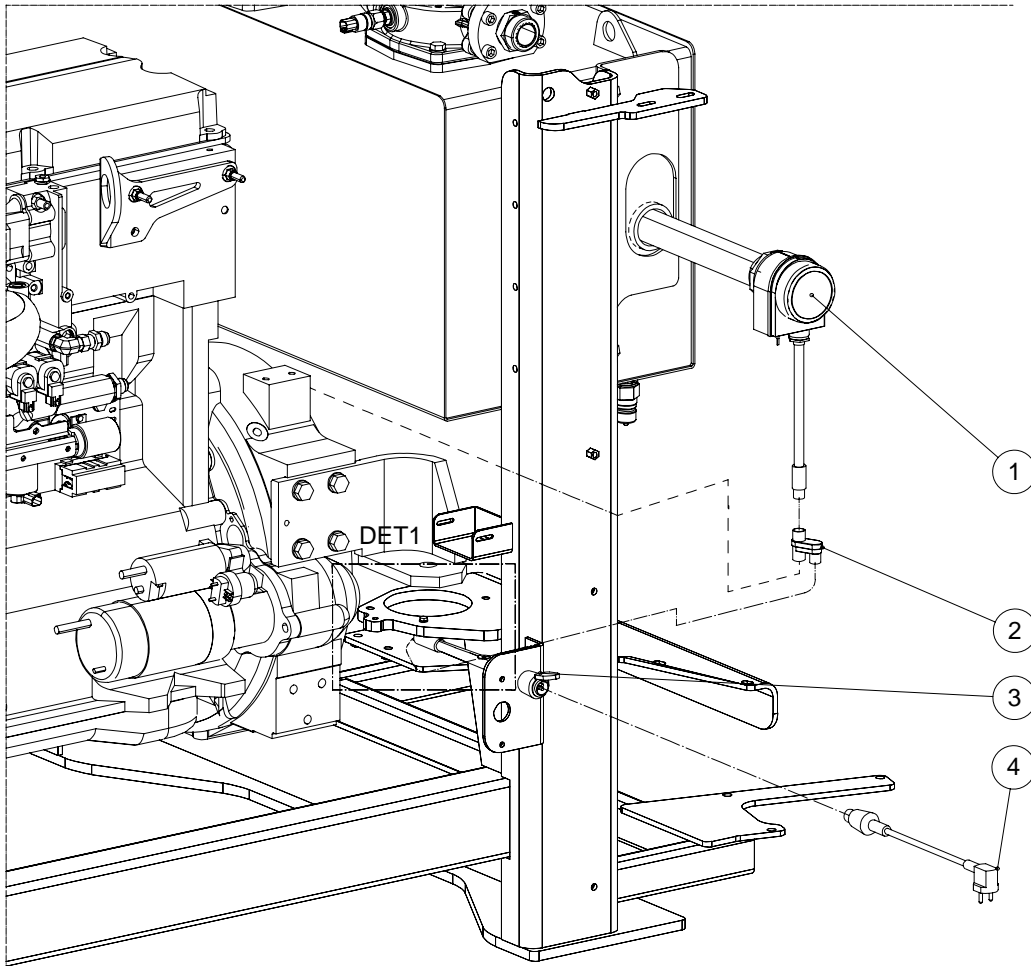
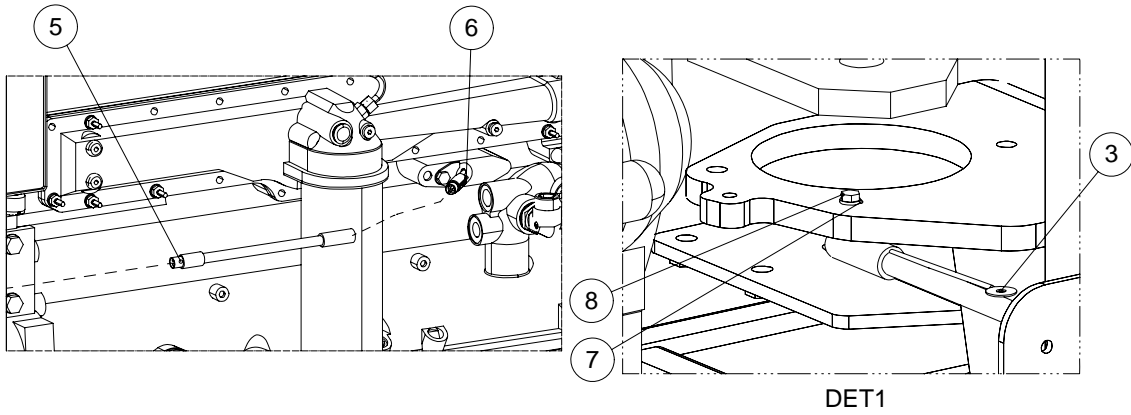
Shark 220Deco & 440Deco

926958

**SN:**  
**Former:**  
**NOTE:**

**Bränslepump**  
**Fuel pump**  
**926958**

| No | Part No. | Qty | Delens benämning      | Size            | Part name      |
|----|----------|-----|-----------------------|-----------------|----------------|
| 1  | 911993   | 1   | Slang                 |                 | Hose           |
| 2  | 200264   | 1   | Påfyllningspump       |                 | Filling pump   |
| 3  | 200268   | 1   | Förlängningskoppling  |                 | Fitting        |
| 4  | 57IT12   | 2   | Usit-tätning          |                 | Usit seal      |
| 5  | 57X011   | 1   | Snabbkoppling, hane   |                 | Quick coupling |
| 6  | 57ONL201 | 1   | Vinkelanslutning      |                 | Elbow          |
| 7  | 57OBL181 | 1   | Vinkelkoppling 90 gr. |                 | Elbow fitting  |
| 8  | 40YN72   | 2   | Insexskruv            |                 | Hex bolt       |
| 9  | 918476   | 1   | Sugslang              |                 | Suction hose   |
| 10 | 46ADE9   | 2   | Bricka                | M10 DIN125 Zn   | Washer         |
| 11 | 45FI10   | 2   | Låsmutter             | M10 8 DIN985 Zn | Lock nut       |



922627

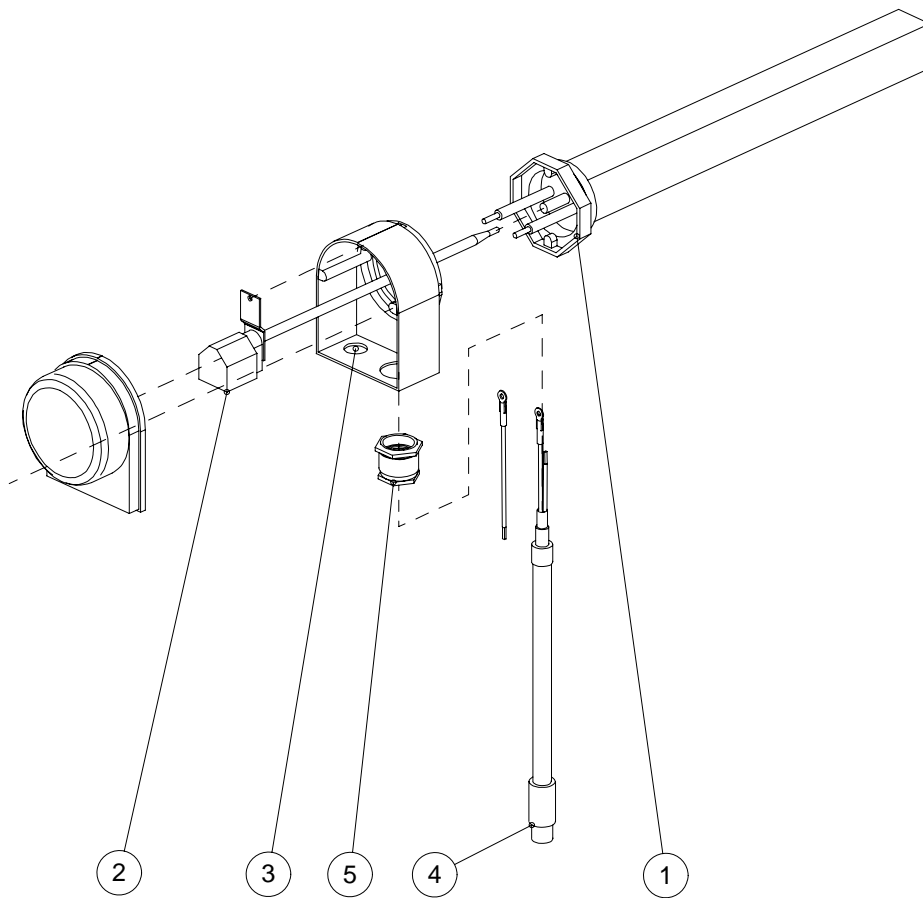
**SN:**  
**Former:**

**Motor- och hydraulvärmare, el**  
**Engine and hydraulic oil heater,**  
**electrical**

**NOTE:**

**922627**

| No | Part No. | Qty | Delens benämning         | Size                | Part name                            |
|----|----------|-----|--------------------------|---------------------|--------------------------------------|
| 1  | 922711   | 1   | Hydrauloljlevärmare, el  |                     | Heater for hydraulic oil, electrical |
| 2  | 201192   | 1   | Y-förgrening til värmare |                     | Y-joint                              |
| 3  | 73J216   | 1   | Apparatuttag             |                     | Connecting plug                      |
| 4  | 73J221   | 1   | Nätssladd                |                     | Cable                                |
| 5  | 73J206   | 1   | Förlängningsledning      |                     | Heater extention cable               |
| 6  | 201190   | 1   | Motorvärmare             |                     | Engine heater                        |
| 7  | 46ADD3   | 1   | Bricka                   | M6 DIN125 Zn        | Washer                               |
| 8  | 41BI35   | 1   | Sexkantsskruv            | M6x20 8.8 DIN933 Zn | Hex bolt                             |



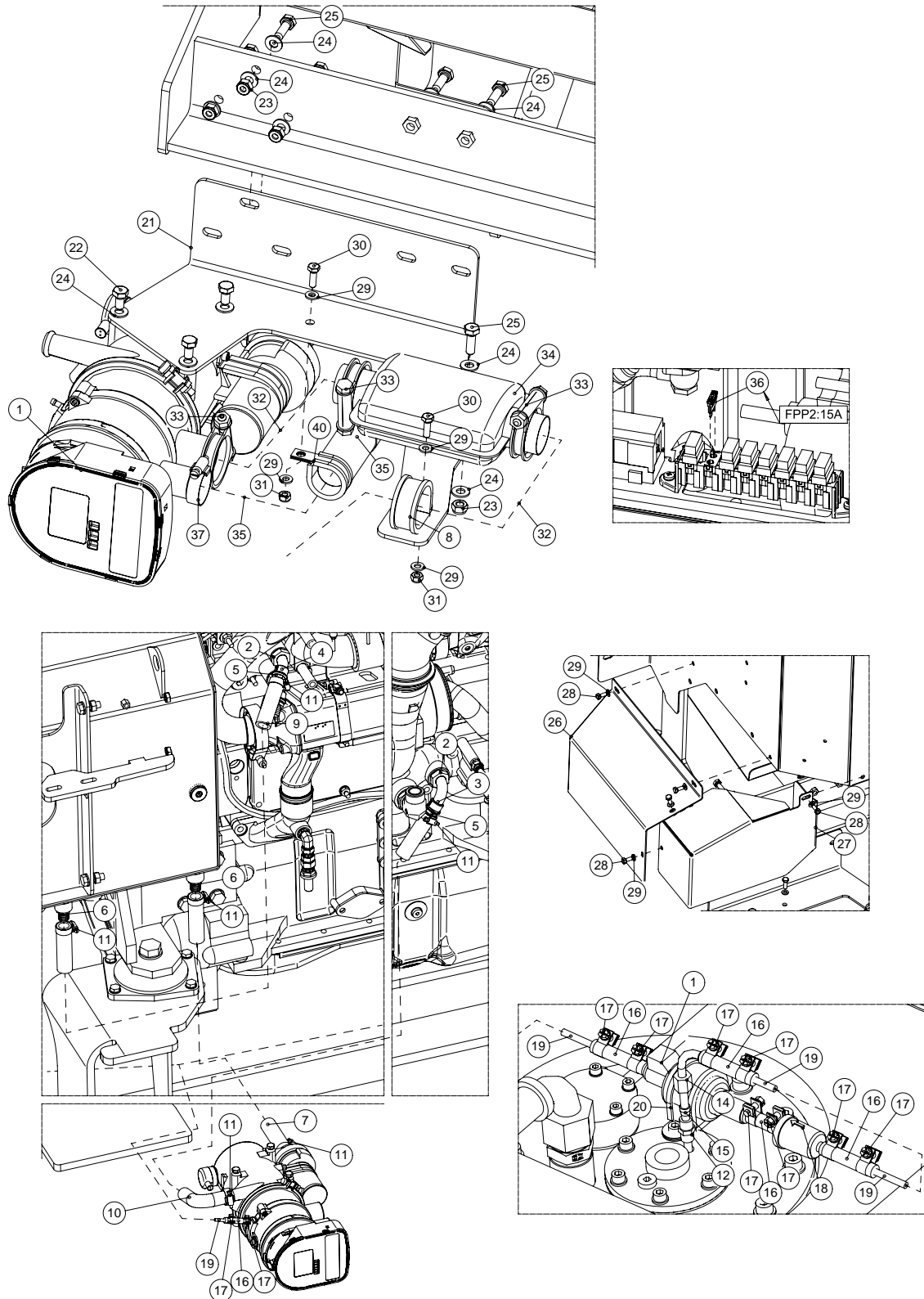


922711

**SN:**  
**Former:**  
**NOTE:**

**Hydrauloljevärmare, el**  
**Heater for hydraulic oil, electrical**  
**922711**

| No | Part No. | Qty | Delens benämning         | Size | Part name  |
|----|----------|-----|--------------------------|------|------------|
| 1  | 73J100   | 1   | Resistans                |      | Heater     |
| 2  | 73J105   | 1   | Termostat                |      | Thermostat |
| 3  | 73J110   | 2   | Hölje                    |      | Housing    |
| 4  | 912443   | 1   | Förlängningsledning      |      | Cable      |
| 5  | 78D030   | 1   | Hylstättning + motmutter |      | Grommet    |

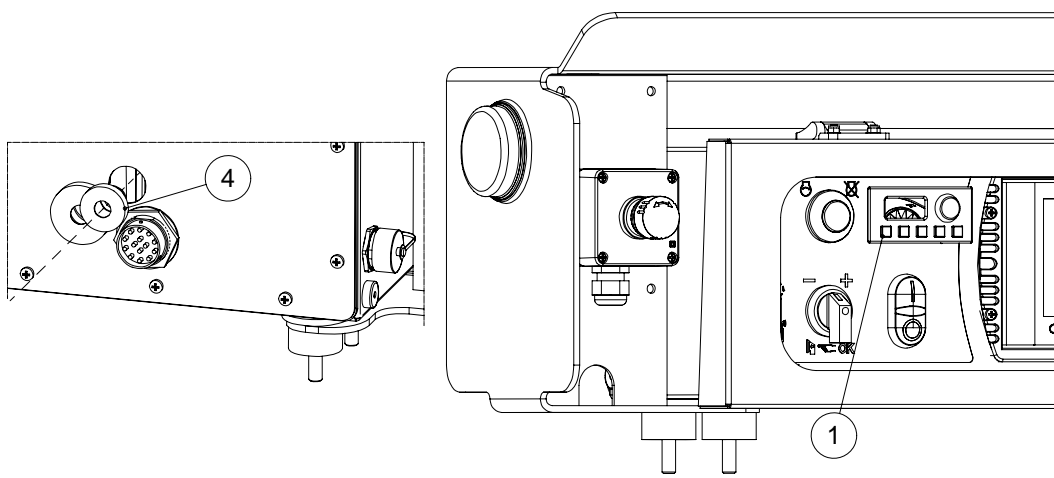


927339aA

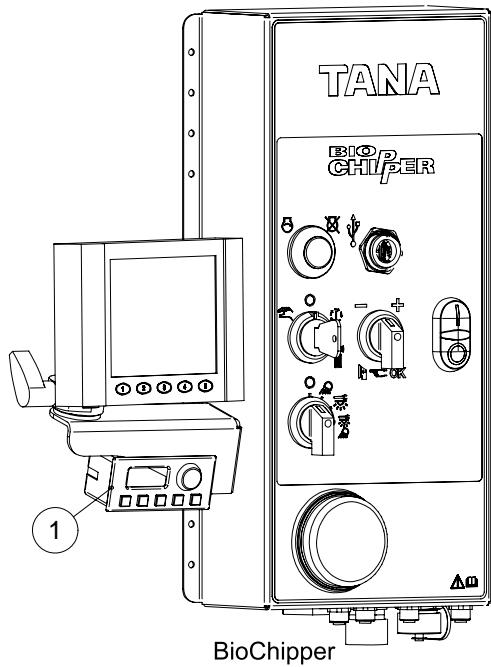
**SN:**  
**Former:****Motor- och hydraulvärmare, diesel**  
**Engine and hydraulic oil heater,**  
**diesel****NOTE:****927339a**

| No | Part No. | Qty | Delens benämning        | Size                | Part name                 |
|----|----------|-----|-------------------------|---------------------|---------------------------|
| 1  | 202322   | 1   | Förvärmare av kylvätska |                     | Coolant preheater         |
| 2  | 57C210   | 2   | Förminskningssockel     |                     | Reducer                   |
| 3  | 54C320   | 1   | Rörböj                  |                     | Pipe curve                |
| 4  | 54C310   | 1   | Rörböj                  |                     | Pipe curve                |
| 5  | 57E714   | 2   | Slangkoppling           |                     | Fitting                   |
| 6  | 201603   | 2   | Slangkoppling           |                     | Hose connector            |
| 7  | 34D019   | 1   | Vattenslang             |                     | Water hose                |
| 8  | 202323   | 1   | Slangförband            |                     | Hose strap                |
| 9  | 34D019   | 1   | Vattenslang             |                     | Water hose                |
| 10 | 202398   | 1   | Vattenslang             |                     | Water hose                |
| 11 | 48B026   | 6   | Slangklämma             |                     | Hose clamp                |
| 12 | 912467   | 1   | Genomföringskoppling    |                     | Fitting                   |
| 13 | 912469   | 1   | Sugrör                  |                     | Suction pipe              |
| 14 | 57K862   | 1   | Spännmutter             |                     | Nut                       |
| 15 | 57K886   | 1   | Skärring                |                     | Ferrule                   |
| 16 | 202326   | 5   | Bränsleslang            |                     | Fuel hose                 |
| 17 | 202330   | 10  | Slangklämma             |                     | Hose clamp                |
| 18 | 202390   | 1   | Filter                  |                     | Filter                    |
| 19 | 202391   | 1   | Plastslang              |                     | Pipe                      |
| 20 | 202370   | 1   | Slangförband            |                     | Hose strap                |
| 21 | 927386   | 1   | Stödplåt                |                     | Support plate             |
| 22 | 41BJ69   | 3   | Sexkantskruv            | M8x16 8.8 DIN933 Zn | Hex bolt                  |
| 23 | 45FI08   | 4   | Låsmutter, Nyloc        | M8 8 DIN985 Zn      | Lock nut                  |
| 24 | 46ADE4   | 13  | Bricka                  | M8 DIN125 Zn        | Washer                    |
| 25 | 41BJ73   | 6   | Sexkantskruv            | M8x25 8.8 DIN933 Zn | Hex bolt                  |
| 26 | 927376   | 1   | Skyddskåpa              |                     | Protective case           |
| 27 | 927384   | 1   | Skyddskåpa              |                     | Protective case           |
| 28 | 41BI32   | 5   | Sexkantskruv            | M6x16 8.8 DIN933 Zn | Hex bolt                  |
| 29 | 46ADD3   | 9   | Bricka                  | M6 DIN125 Zn        | Washer                    |
| 30 | 41BI35   | 2   | Sexkantskruv            | M6x20 8.8 DIN933 Zn | Hex bolt                  |
| 31 | 45FI06   | 2   | Låsmutter, Nyloc        | M6 8 DIN985 Zn      | Lock nut                  |
| 32 | 202395   | 1   | Metallslang             |                     | Metal hose                |
| 33 | 202396   | 3   | Spännare till avgasrör  |                     | Pipe clamp                |
| 34 | 202394   | 1   | Ljuddämpare             |                     | Exhaust muffler           |
| 35 | 202397   | 1   | Flexibelt rör           |                     | Flexible pipe             |
| 36 | 73D135   | 1   | Säkring                 | 15A                 | Fuse                      |
| 37 | 48B026   | 1   | Slangklämma             |                     | Hose clamp                |
| 38 | 929213   |     | Kablage                 |                     | Wiring harness            |
| 39 | 929215   |     | Kablage, bränslepump    | Only Shark 220-440  | Wiring harness, fuel pump |
| 40 | 200177   | 1   | Slangband               |                     | Hose strap                |

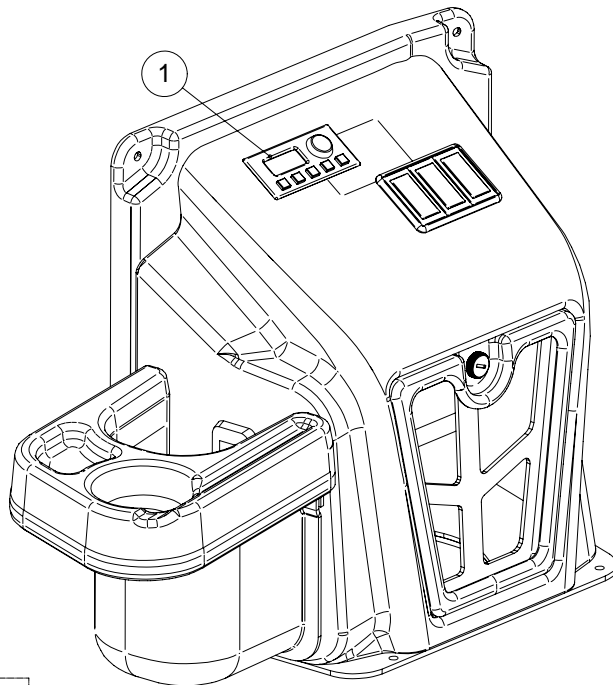
927588aA



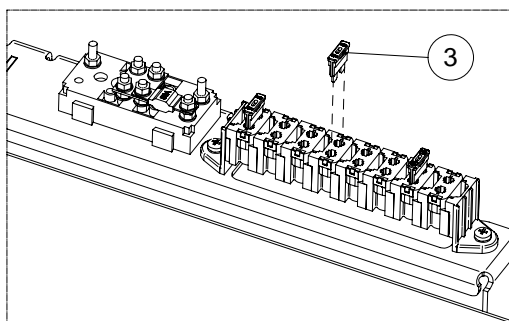
Shark 220 & 440



BioChipper



E260-E520



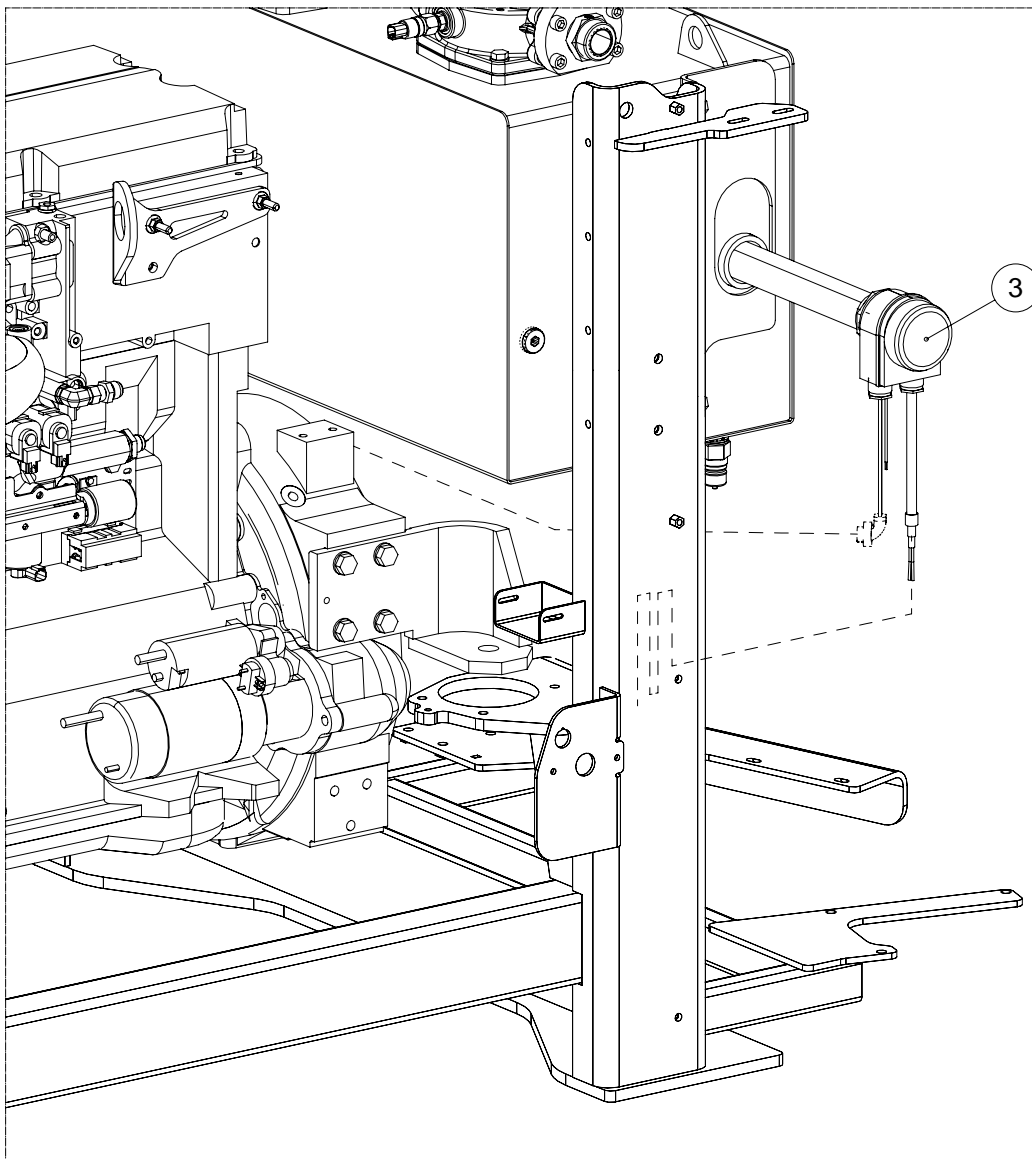
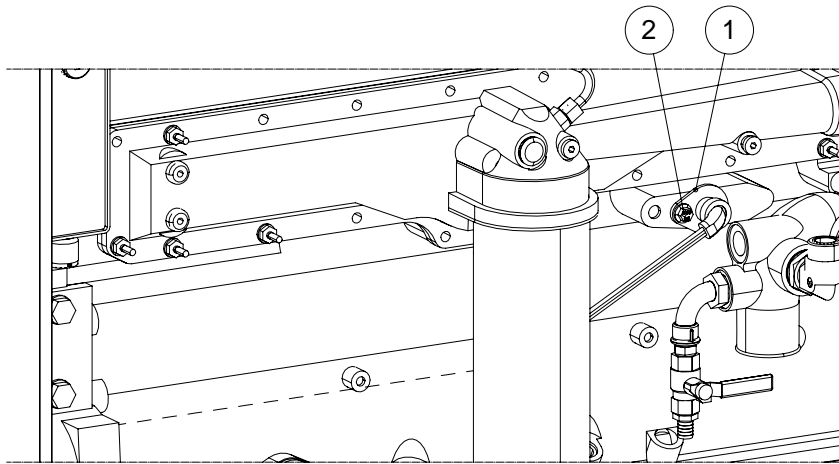
927588aA

**SN:**  
**Former:**  
**NOTE:**

**Tidtagare till förvärmare**  
**Preheater timer**  
**927588a**

| No | Part No. | Qty | Delens benämning          | Size               | Part name             |
|----|----------|-----|---------------------------|--------------------|-----------------------|
| 1  | 202354   | 1   | Tidtagare till förvärmare |                    | Preheater timer       |
| 3  | 73D133   | 1   | Säkring                   | 5A                 | Fuse                  |
| 4  | 52F114   | 1   | Genomföringsgummi         |                    | Bulkhead seal         |
| 5  | 929216   |     | Kablage, klocka           | Only E260-E520     | Wiring harness, timer |
| 6  | 929214   |     | Kablage, klocka           | Only Shark 220-440 | Wiring harness, timer |

924281



924281

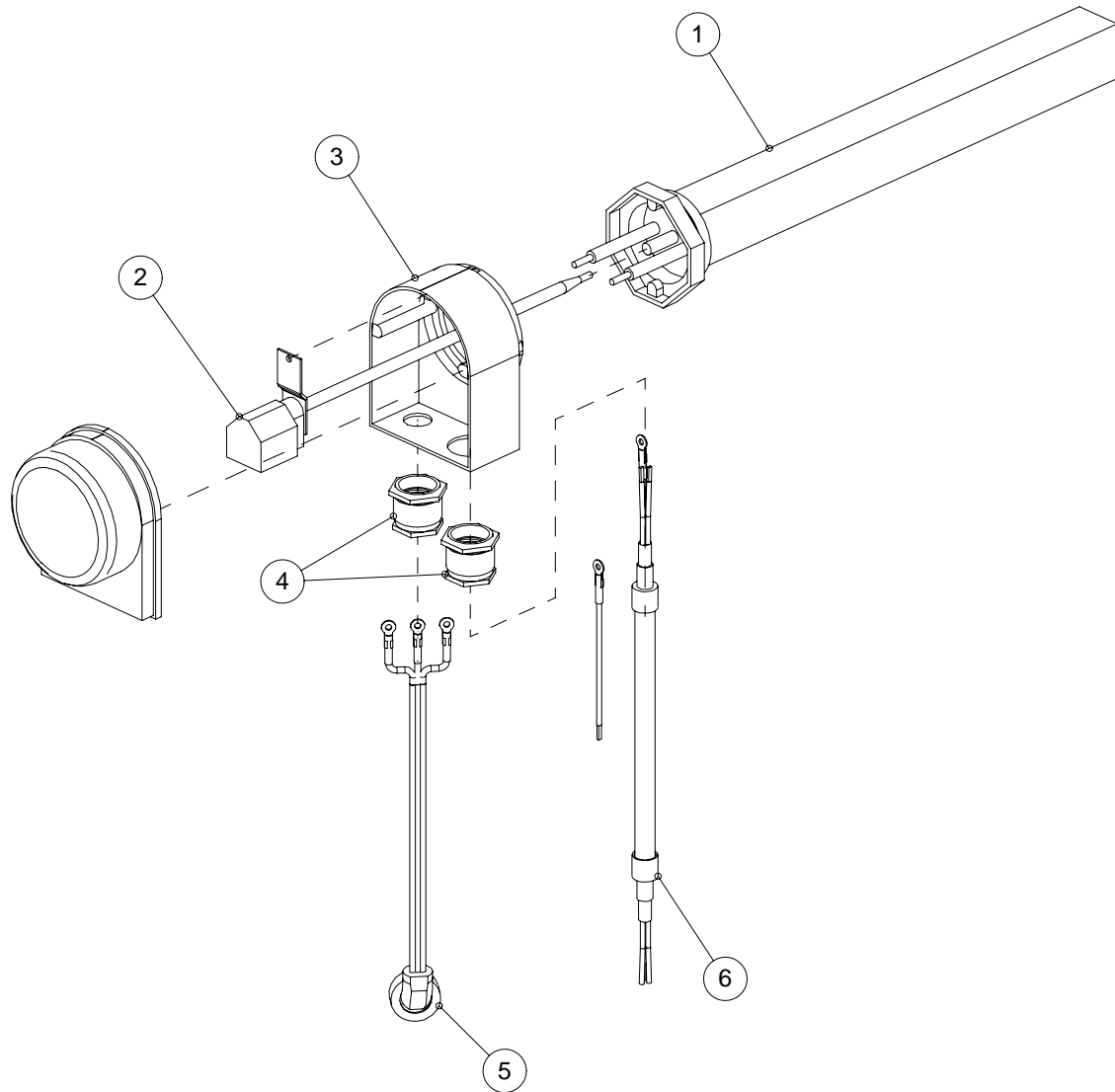
**SN:**  
**Former:**

**Motor- och hydraulvärmare, el, USA**  
**Engine and hydraulic oil heater,**  
**electrical, USA**

**NOTE:**

**924281**

| No | Part No. | Qty | Delens benämning   | Size | Part name                |
|----|----------|-----|--------------------|------|--------------------------|
| 1  | 201580   | 1   | Motorvärmare       |      | Engine heater            |
| 2  | 201582   | 1   | Skruv              |      | Screw                    |
| 3  | 924344   | 1   | Hydrauloljevärmare |      | Heater for hydraulic oil |



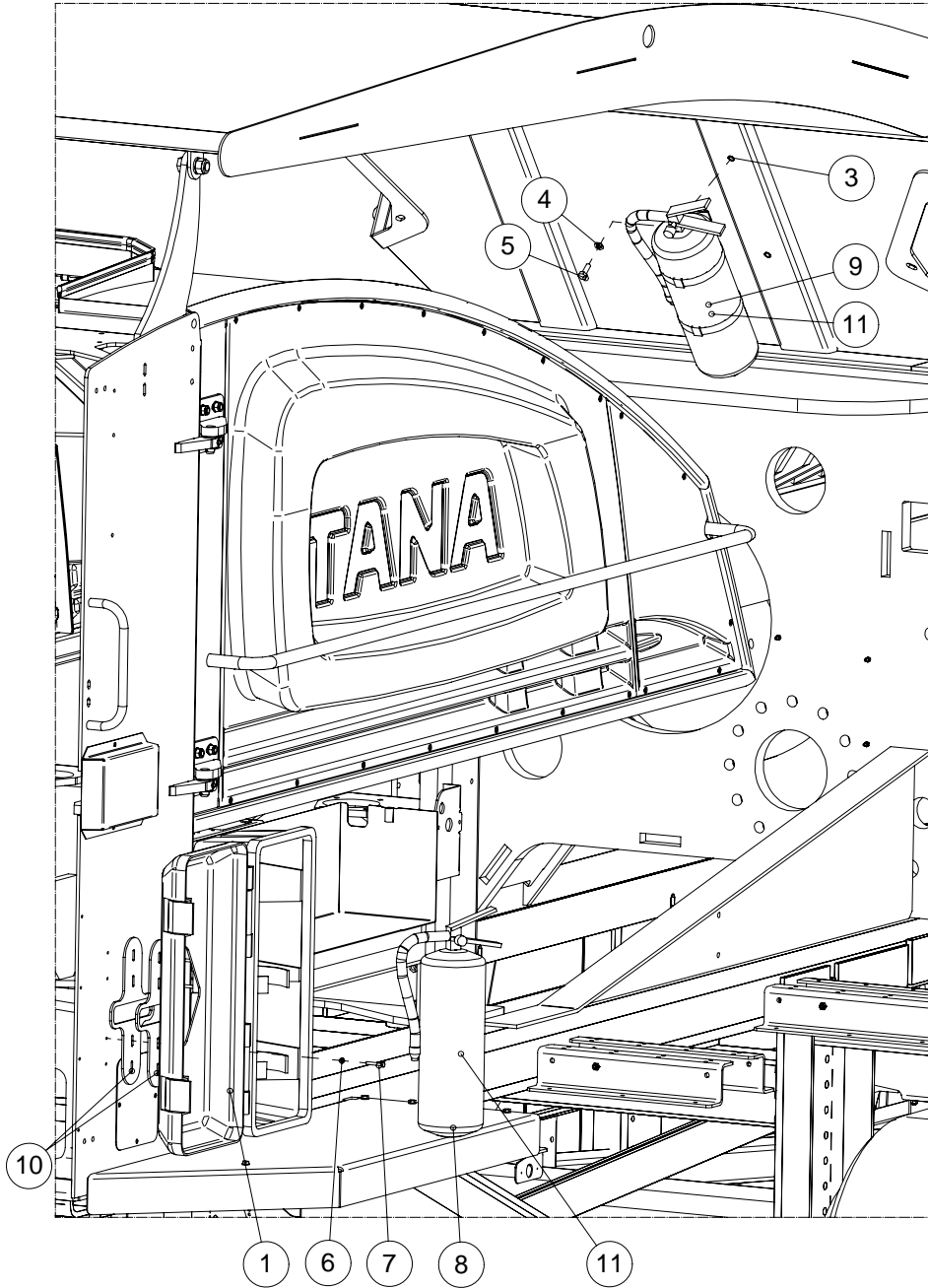


924344aA

**SN:**  
**Former:**  
**NOTE:**

**Hydrauloljevermare**  
**Heater for hydraulic oil**  
**924344a**

| No | Part No. | Qty | Delens benämning        | Size | Part name       |
|----|----------|-----|-------------------------|------|-----------------|
| 1  | 73J100   | 1   | Resistans               |      | Heater          |
| 2  | 73J105   | 1   | Termostat               |      | Thermostat      |
| 3  | 73J110   | 1   | Hölje                   |      | Housing         |
| 4  | 78D030   | 2   | Hylstätning + motmutter |      | Grommet         |
| 5  | 924342   | 1   | Kabel                   |      | Cable           |
| 6  | 924345   | 1   | Förlängningskabel       |      | Extension cable |



920383aA

**SN:**  
**Former:**  
**NOTE:**

**Montering av brandsläckare**  
**Fire extinguisher assembly**  
**920383a**

| No | Part No. | Qty | Delens benämning | Size                 | Part name              |
|----|----------|-----|------------------|----------------------|------------------------|
| 1  | 200689   | 1   | Brandsläckarkåpa |                      | Fire extinguisher case |
| 3  | 47G819   | 2   | Blindnitmutter   |                      | Thread rivet nut       |
| 4  | 46ADE9   | 2   | Bricka           | M10 DIN125 Zn        | Washer                 |
| 5  | 41BL11   | 2   | Sexkantskruv     | M10x30 8.8 DIN933 Zn | Hex bolt               |
| 6  | 46ADD3   | 4   | Bricka           | M6 DIN125 Zn         | Washer                 |
| 7  | 41B143   | 4   | Sexkantskruv     | M6x40 8.8 DIN933 Zn  | Hex bolt               |
| 8  | 201584   | 1   | Pulversläckare   | 6 kg                 | Fire extinguisher      |
| 9  | 202230   | 1   | Pulversläckare   | 6 kg                 | Fire extinguisher      |
| 10 | 927574   | 2   | Skiva            |                      | Plate                  |
| 11 | 202355   | 2   | Dekal            | EN/FR                | Sticker                |

NO PICTURE AVAILABLE

920391

**SN:**  
**Former:**  
**NOTE:**

**Montering av brandsläckningssystem**  
**Fire extinguisher system assembly**

**920391**

| No | Part No. | Qty | Delens benämning      | Size | Part name                |
|----|----------|-----|-----------------------|------|--------------------------|
| 1  | 200700   | 1   | Brandsläckningssystem |      | Fire extinguisher system |

NO PICTURE AVAILABLE

927299

---

**SN:** **Montering av dammbindnings- och högtryckstvättsyst**  
**Former:** **Dustcontrol and pressure washer system assembly**  
**NOTE:** **927299**

| No | Part No. | Qty | Delens benämning                        | Size | Part name                                       |
|----|----------|-----|---|------|---|
| 1  | 200705   | 1   | Dammbindnings- och högtryckstvättsystem |      | Dustcontrol and pressure washer system assembly |

NO PICTURE AVAILABLE



927298

**SN:**  
**Former:**  
**NOTE:**

**Montering av centralsmörjsystem**  
**Central lubrication system assembly**  
**927298**

| No | Part No. | Qty | Delens benämning   | Size | Part name                  |
|----|----------|-----|--------------------|------|----------------------------|
| 1  | 202313   | 1   | Centralsmörjsystem |      | Central lubrication system |

NO PICTURE AVAILABLE

927304

**SN:**  
**Former:**  
**NOTE:**

**Gummidämpare till larvband**  
**Crawler track rubber bonded shoes**  
**927304**

| No | Part No. | Qty | Delens benämning           | Size | Part name                         |
|----|----------|-----|----------------------------|------|-----------------------------------|
| 1  | 927525   | 1   | Gummidämpare till larvband |      | Crawler track rubber bonded shoes |

NO PICTURE AVAILABLE

171211  
ett09258

Tana SHARK 440DTeco

J1600

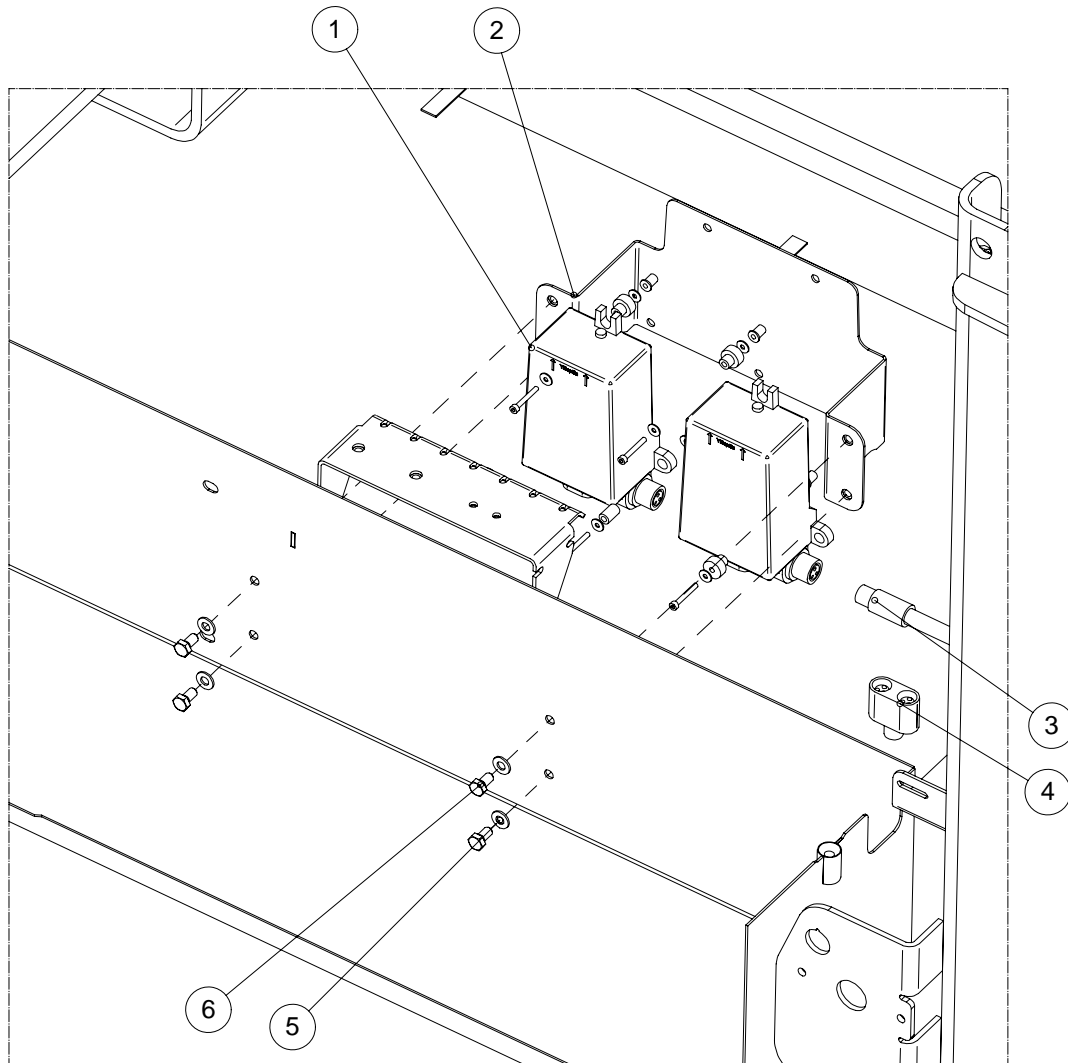
917364

**SN:**  
**Former:**  
**NOTE:**

**Akutväska**  
**First aid kit**  
**917364**

| No | Part No. | Qty | Delens benämning | Size | Part name     |
|----|----------|-----|------------------|------|---------------|
| 1  | 59A047   | 1   | Akutväska        |      | First aid kit |

**TANA**

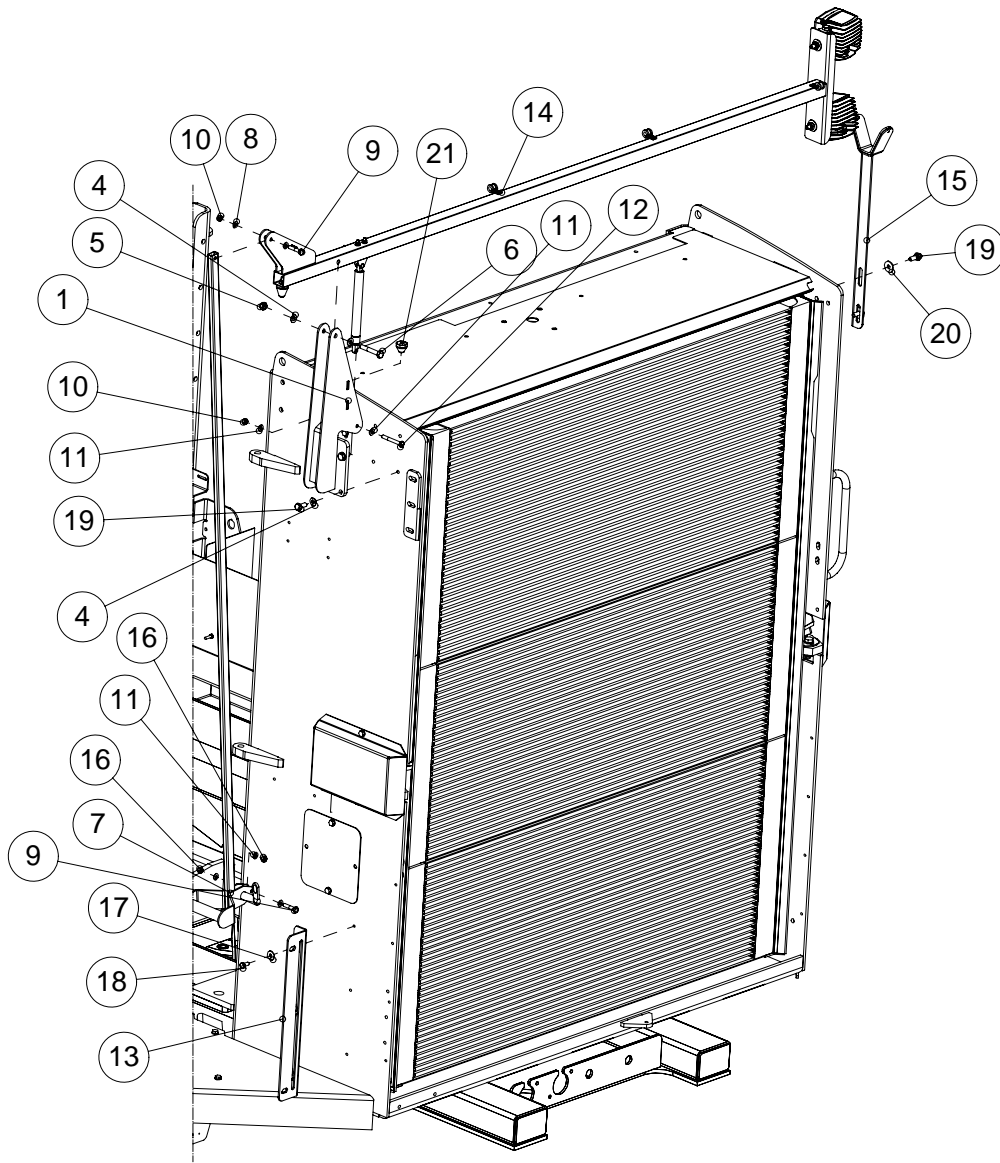


926792

**SN:**  
**Former:**  
**NOTE:**

**Underhållsladdare**  
**Trickle charger**  
**926792**

| No | Part No. | Qty | Delens benämning        | Size                | Part name              |
|----|----------|-----|-------------------------|---------------------|------------------------|
| 1  | 200813   | 2   | Underhållsladdare       | 12V / 10A           | Trickle charger        |
| 2  | 926796   | 1   | Ställ                   |                     | Bracket                |
| 3  | 73J206   | 1   | Förlängningsledning     |                     | Heater extention cable |
| 4  | 73J210   | 1   | Y-koppling till värmare |                     | Y-joint                |
| 5  | 46ADE4   | 4   | Bricka                  | M8 DIN125 Zn        | Washer                 |
| 6  | 41BJ69   | 4   | Sexkantskruv            | M8x16 8.8 DIN933 Zn | Hex bolt               |

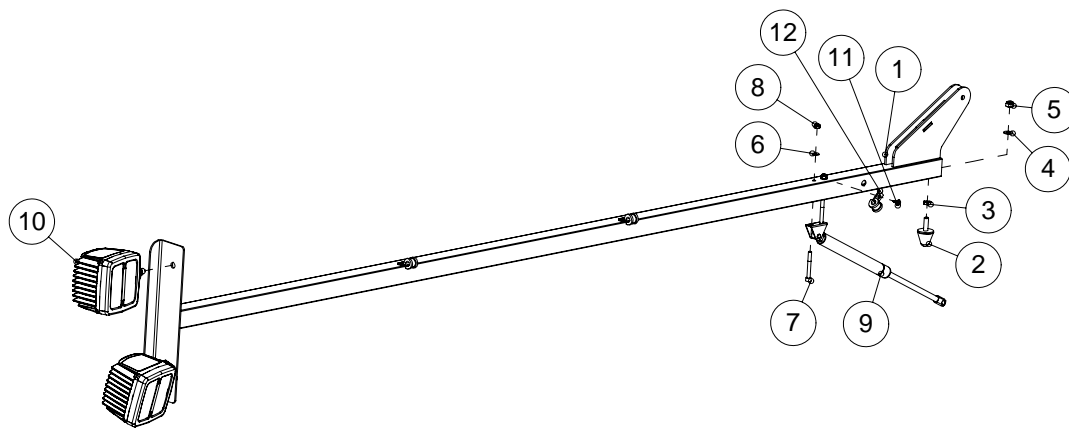




925046

**SN:**  
**Former:**  
**NOTE:****Montering av ljustorn**  
**Light mast assembly**  
**925046**

| No | Part No. | Qty | Delens benämning   | Size                 | Part name     |
|----|----------|-----|--------------------|----------------------|---------------|
| 1  | 925034   | 1   | Fäste              |                      | Bracket       |
| 4  | 46ADE9   | 6   | Bricka             | M10 DIN125 Zn        | Washer        |
| 5  | 45FI10   | 1   | Låsmutter          | M10 8 DIN985 Zn      | Lock nut      |
| 6  | 41AL20   | 1   | Sexkantskruv       | M10x65 8.8 DIN931 Zn | Hex bolt      |
| 7  | 925039   | 1   | Handtag            |                      | Handle        |
| 8  | 46ADE4   | 2   | Bricka             | M8 DIN125 Zn         | Washer        |
| 9  | 41AJ79   | 2   | Insexskruv         | M8x40 8.8 DIN931 Zn  | Hex bolt      |
| 10 | 45FI08   | 2   | Låsmutter, Nyloc   | M8 8 DIN985 Zn       | Lock nut      |
| 11 | 200759   | 5   | Bricka             |                      | Washer        |
| 12 | 41AJ84   | 1   | Insexskruv         | M8x65 8.8 DIN931 Zn  | Hex bolt      |
| 13 | 925045   | 1   | Låsbricka          |                      | Locking plate |
| 14 | 925027   | 1   | Ljustorn           |                      | Light mast    |
| 15 | 925066   | 1   | Ställ              |                      | Bracket       |
| 16 | 45FI08   | 2   | Låsmutter, Nyloc   | M8 8 DIN985 Zn       | Lock nut      |
| 17 | 46EDF2   | 3   | Karosseribricka    | M8x24 DIN9021 Zn     | Washer        |
| 18 | 41BJ71   | 3   | Sexkantskruv       | M8x20 8.8 DIN933 Zn  | Hex bolt      |
| 19 | 41BL09   | 6   | Sexkantskruv       | M10x25 8.8 DIN933 Zn | Hex bolt      |
| 20 | 46EDF3   | 2   | Karosseribricka    | M10x30 DIN9021 Zn    | Washer        |
| 21 | 52F110   | 1   | Genomföringsgummit |                      | Grommet       |



925027

**SN:**  
**Former:**  
**NOTE:****Ljustorn**  
**Light mast**  
**925027**

| No | Part No. | Qty | Delens benämning  | Size                | Part name         |
|----|----------|-----|-------------------|---------------------|-------------------|
| 1  | 925022   | 1   | Ljustorn          |                     | Light mast        |
| 2  | 53B220   | 1   | Vibrationsdämpare |                     | Vibration damper  |
| 3  | 201526   | 1   | Insexmutter       | M8x1.25 DIN439      | Hex nut           |
| 4  | 46ADE4   | 1   | Bricka            | M8 DIN125 Zn        | Washer            |
| 5  | 45FI08   | 1   | Låsmutter, Nyloc  | M8 8 DIN985 Zn      | Lock nut          |
| 6  | 46ADD3   | 2   | Bricka            | M6 DIN125 Zn        | Washer            |
| 7  | 41FI45   | 2   | Insexskruv        | M6x50 8.8 DIN912 Zn | Allen screw       |
| 8  | 45FI06   | 2   | Låsmutter, Nyloc  | M6 8 DIN985 Zn      | Lock nut          |
| 9  | 201826   | 1   | Gasfjäder         |                     | Gas spring        |
| 10 | 201827   | 2   | Arbetsbelysning   |                     | Work light        |
| 11 | 41VD13   | 4   | Plåtskruv         |                     | Sheet metal screw |
| 12 | 48D050   | 4   | Slangförband      |                     | Hose strap        |

NO PICTURE AVAILABLE

929421aA

**SN:**  
**Former:**  
**NOTE:**

**Skydd, powerpack**  
**Cover, powerpack**  
**929421a**

| No | Part No. | Qty | Delens benämning | Size                | Part name        |
|----|----------|-----|------------------|---------------------|------------------|
| 1  | 929028   | 1   | Skyddsplåt       | Powerpack           | Protective plate |
| 2  | 929031   | 1   | Skyddsplåt       | Powerpack           | Protective plate |
| 3  | 41BI35   | 15  | Sexkantskruv     | M6x20 8.8 DIN933 Zn | Hex bolt         |

